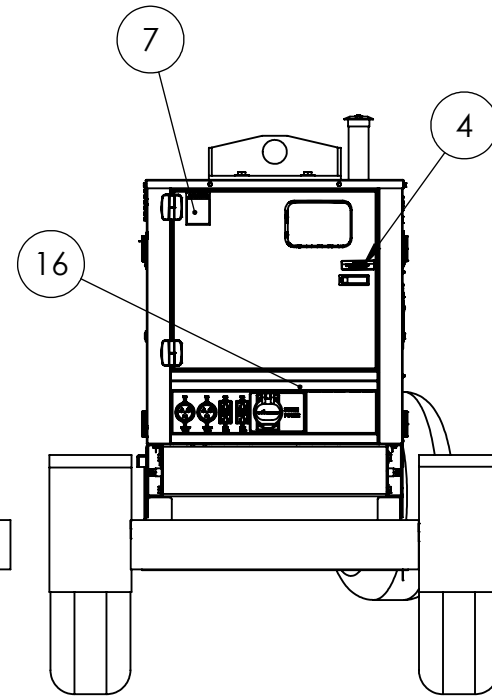
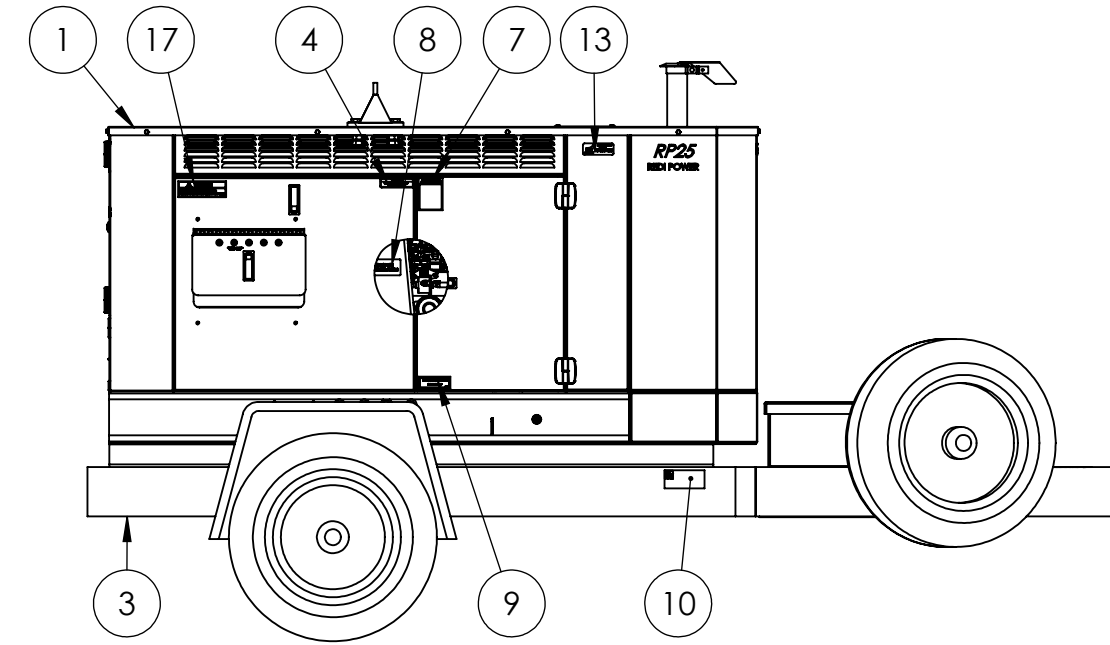
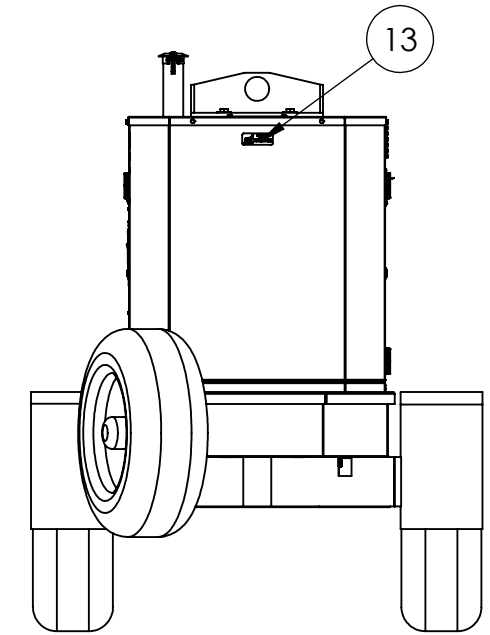
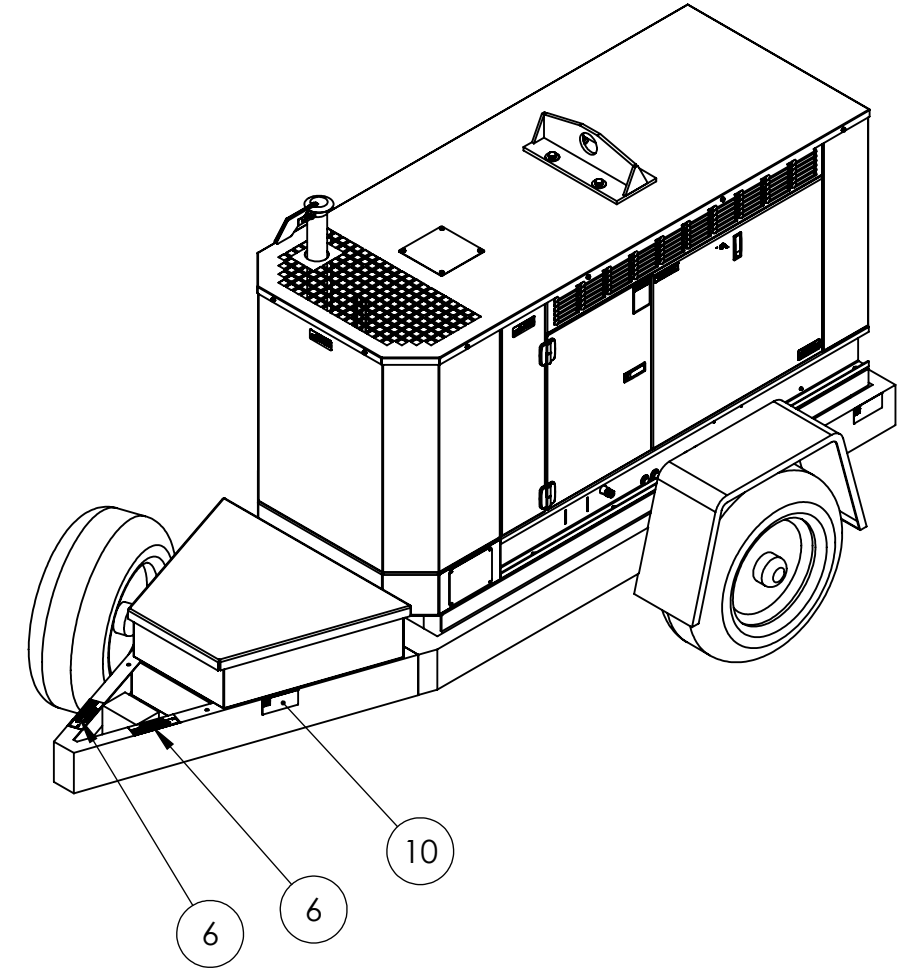
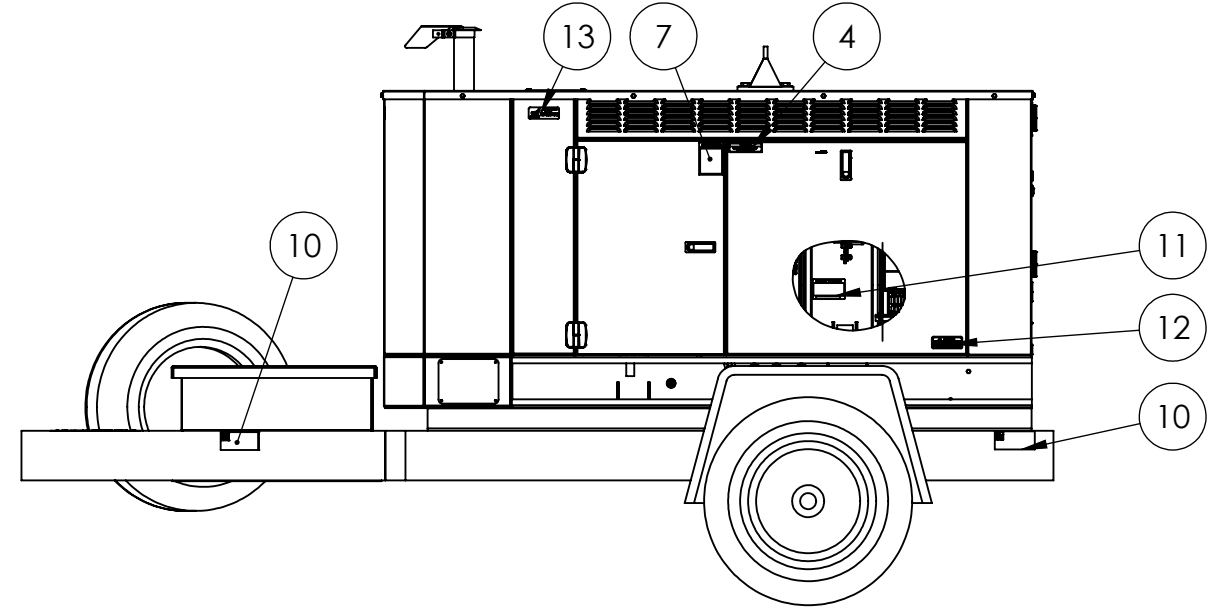


99925-004

REVISIONS					
REV.	IRN	DESCRIPTION	DATE	BY	APP'D
A	6973	ORIGINAL	4/12/2017	ASC	DRC



DOCUMENTATION LIST	
ITEM	PART NUMBER
MANUAL	OPM-114
OUTLINE DRAWING	NONE
INSTRUCTION SHEET	NONE
ELECTRICAL SCHEMATIC	SEE MANUAL
PARTS LIST	NONE
STEP FILE	NONE
ECU PROGRAM	ECU7310-2-261

ITEM NO.	PART NUMBER	DESCRIPTION	QTY.
1	774025-001	HOUSING ASSEMBLY RP25 W/CAM-LOCK	1
2	755025-003	ENGINE AND BASE ASSEMBLY MKII	1
3	350041-95-1	TRAILER RP25	1
4	99951-000	DECAL KEEP DOORS LOCKED	3
5	99946-002	FUEL SYSTEM INSTALLATION	1
6	97830-000	DECAL BLOCK WHEELS	2
7	97813-000	DECAL-WARNING CYCLE CRANK	3
8	97382-000	DECAL-DO NOT USE STARTING FLUIDS	1
9	97381-001	DECAL-DIESEL FUEL ONLY	1
10	97379-000	DECAL WARNING LABEL JACK	3

ITEM NO.	PART NUMBER	DESCRIPTION	QTY.
11	63966-006	NAMEPLATE, WINCO SWITCHABLE	1
12	63941-003	DECAL-WARNING NO SPARK	1
13	63941-001	DECAL -HOT SURFACES	3
14	48178-000	.5-13 X 1 HHB	6
15	21867-001	FLAT WASHER .51 X .88 X .05	6
16	15209-003	DECAL - SET	1
17	351591-27	SHUTDOWN WARNING	1
18	300515-2	OIL, 10W-30	2.25 GAL
19	300515-4	COOLANT CONCENTRATE	1.38 GAL

	DRAWN BY	ASC	DATE	4/12/2017	CHK'D BY		DATE		ENG APPR.	-	DATE	-
	TOLERANCE:	+/- 0.0625 DECIMAL		+/- 1 DEG ANGULAR		TITLE: COMPLETE ASSEMBLY W/MKII CONTROLLER						
	MODEL:	RP25/D		PART: 99925-004								