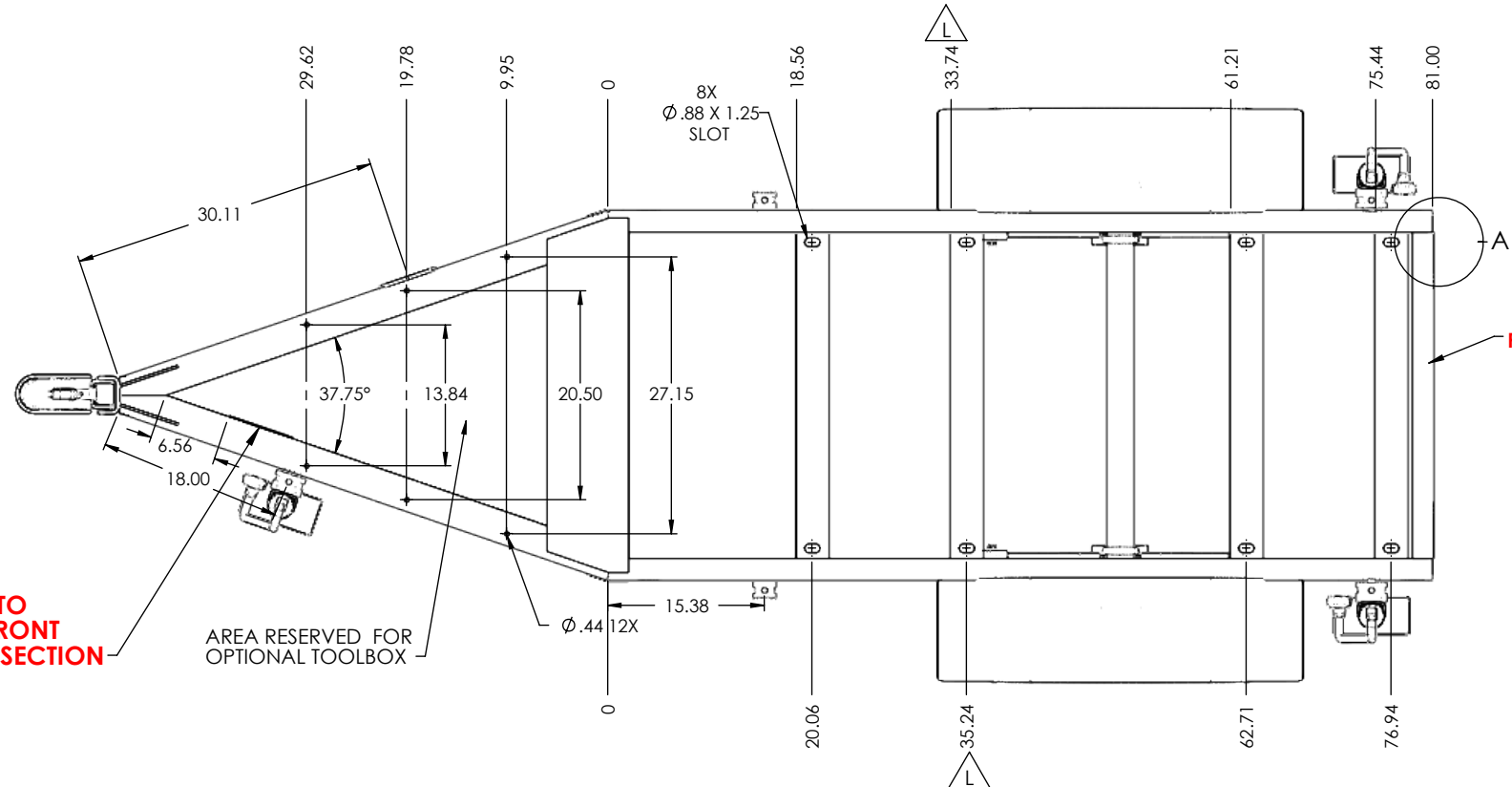


8 7 6 5 4 3 2 1

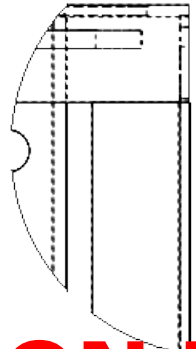
REVISIONS			
REV.	DESCRIPTION	DATE	APPROVED
M		12/5/11	SJN
E	ADDED HOLES, SPARE TIRE BRACKET, NEW CROSSMEMBER	12/28/11	SJN
F	TANK CHANGED WITH NOTES AND RETURN BEND	1/16/11	SJN
G	MOVED FILL AND GAUGE ON TANK	2/27/12	SJN
H	PLUGGED NORMAL VENT	2/29/12	SJN
I	UPDATE BATTERY BRKT LOCATION FORWARD	1/12/16	JJP
J	INTERNAL REV AT WINCO	5/2/16	JJP
K	UPDATE ON TANK	5/2/16	JJP
L	MOVED CROSSMEMBER 1"	JJP	6/23/16
M	CHANGED PORTS 2 & 3 TO 2" NPT MOVED PORT 3 TOWARD REAR OF TANK 1" ADJUSTED SIDE SUPPORT/TOP MOUNTING HOLE INTERFACE TO BE COMPATIBLE WITH REV L	6/9/2017	TJW

JOB# 16096-01  
 PO# 21189  
 DUE DATE / OF



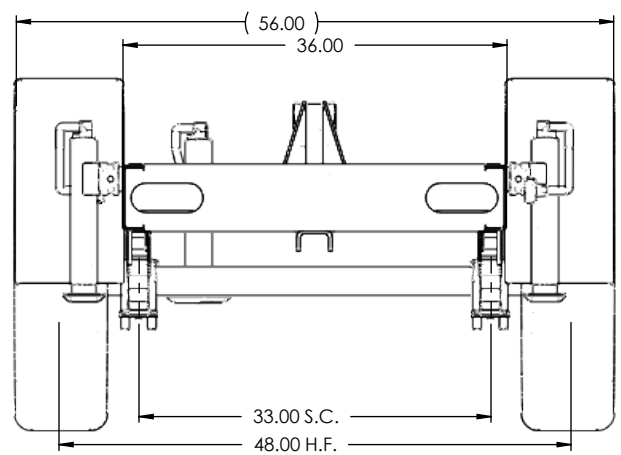
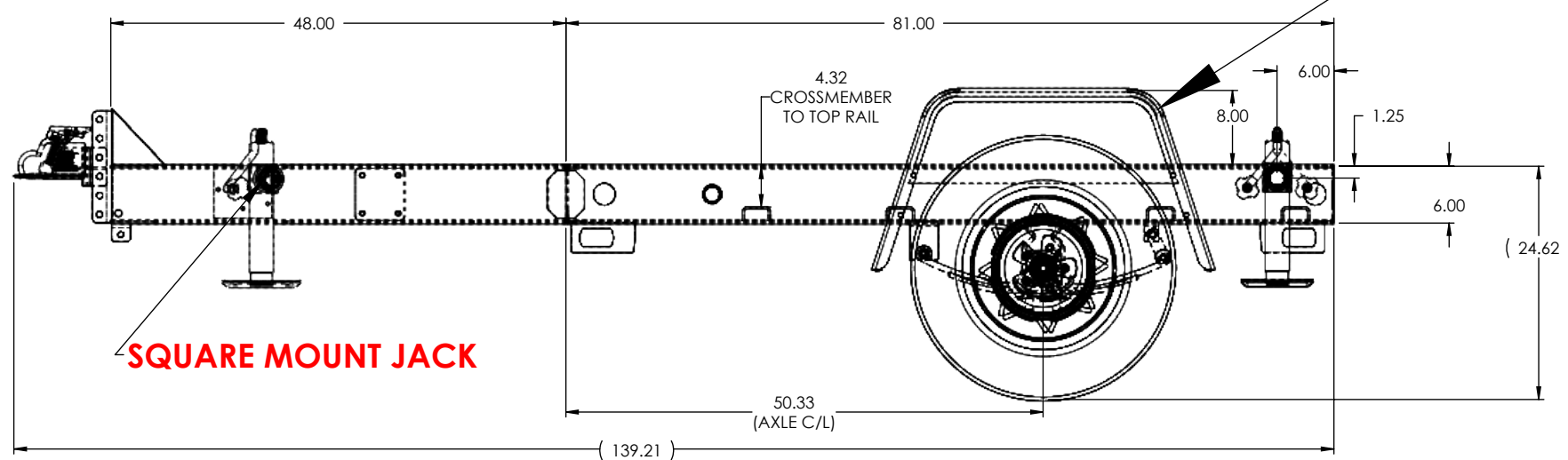
**BREAKAWAY KIT TO BE LOCATED IN FRONT TRAILER TONGUE SECTION**

AREA RESERVED FOR OPTIONAL TOOLBOX



DETAIL A  
SCALE 1 : 4

**BOLT ON FENDERS**



NOTE:  
1. TANK IS TANK ASSY (WIIN-350041-95-1T)

**APPROVED  
 AVIV CHETRIT  
 9-JUNE-17**

**PROPRIETARY AND CONFIDENTIAL**  
 THE INFORMATION CONTAINED IN THIS DRAWING IS THE SOLE PROPERTY OF ZIERKE BUILT MFG, INC. ANY RE-PRODUCTION IN PART OR AS A WHOLE WITHOUT THE WRITTEN PERMISSION OF ZIERKE BUILT MFG, INC. IS PROHIBITED.

UNLESS OTHERWISE SPECIFIED:	NAME	DATE
DIMENSIONS ARE IN INCHES	DRAWN SJN	10/20/2011
TOLERANCES:	CHECKED	
FRACTIONAL ±	ENG APPR.	
ANGULAR: MACH ± BEND ±1°	MFG APPR.	
TWO PLACE DECIMAL ±.12	ZBM REV	--
THREE PLACE DECIMAL ±.062	COMMENTS:	
INTERPRET GEOMETRIC TOLERANCING PER:		
MATERIAL:		
FINISH: BLACK PAINT		
WEIGHT: 576.98 LBS		

**ZBM ZIERKE BUILT MANUFACTURING, INC**  
 120 6th AVENUE SE  
 WINNEBAGO, MINNESOTA 56098

TITLE: TRAILER ASSY (WIIN-350041-95-1) 3500 LB T2  
 55 GAL SW REMOVEABLE  
 81.00L x 36.00W x 6.00H

SIZE DWG. NO. **B** TRAILER ASSY (WIIN-350041-95-1) L  
 SCALE: 1:18 DO NOT SCALE DRAWING SHEET 1 OF 3

REV	DESCRIPTION	DATE	INIT
INTERNAL REVISIONS			

A

A

D

D

C

C

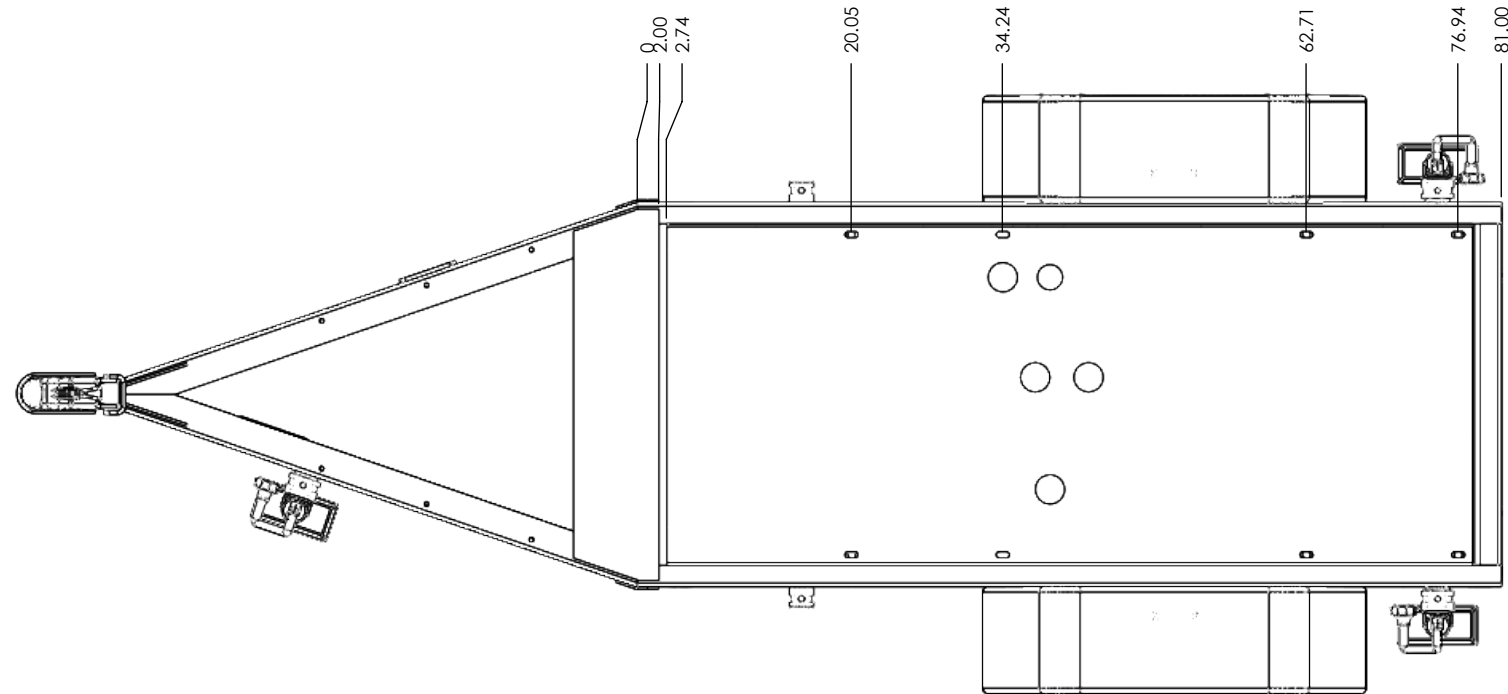
B

B

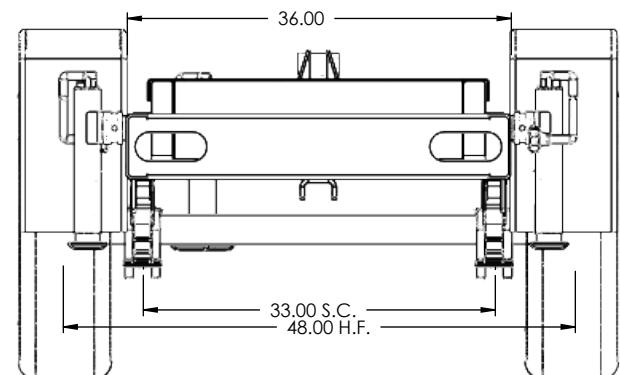
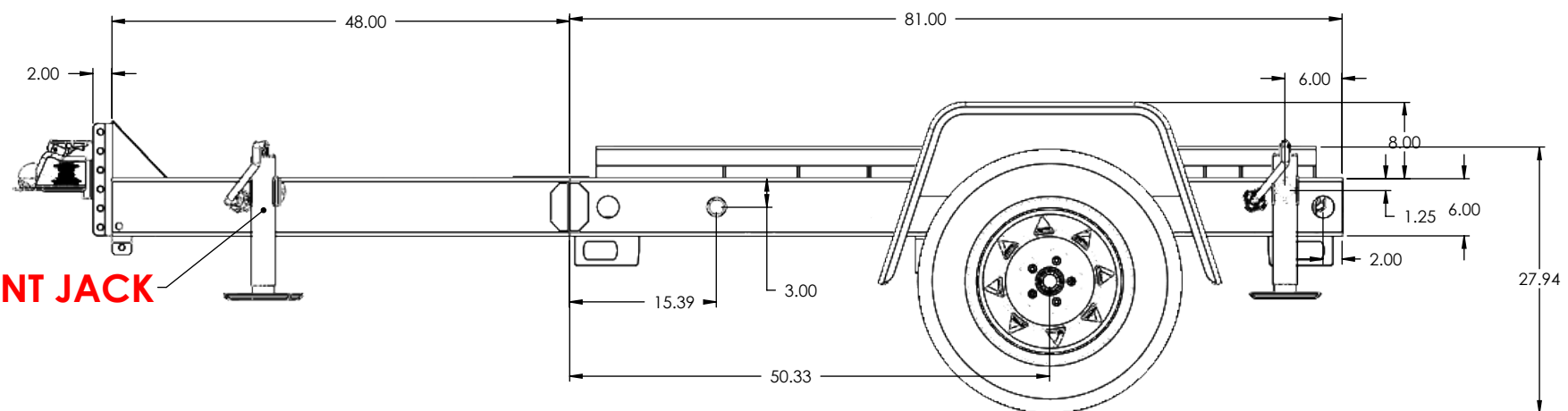
A

A

8 7 6 5 4 3 2 1



- TRAILER / TANK 3500LBS SINGLE AXLE
- FORMED CHANNEL STYLE W/ 4 CROSSMEMBERS
- BED DIMENSIONS 81"X36"
- TANK 55 USABLE GAL SW REMOVEABLE (WIIN-350041-95-1T)
- SPRING AXLES W/ELECTRIC BRAKES
- 205/75R/15 TIRE
- SAFETY CHAINS W/SLIP HOOK
- 2" BALL COUPLER ADJUSTABLE
- 5000LBS FRONT JACK \*\* SQUARE MOUNT \*\*
- 5000LBS REAR STABILIZING JACKS 2X
- EXTRA JACK MOUNTS 2X
- DIAMOND PLATE FENDERS \*\* BOLT ON \*\*
- DOT LIGHTING \*\* BULB \*\*
- LICENSE PLATE HOLDER W/LIGHT
- 7 PIN TRAILER PLUG
- BREAKAWAY KIT WITH CHARGER
- CORNER TIE DOWN BRACKETS 4X
- PAINTED BLACK
- FUEL GAUGE
- ELECTRONIC SENDER \*\* 240-30 OHM \*\*
- PREVENT FUEL CAP
- PIPE NIPPLE 2"X6"
- \*\* EXTRA 2" FLANGE 1X \*\*
- \*\* HOLES FOR OPTIONAL SPARE TIRE BRACKET \*\*
- \*\* HOLES FOR OPTIONAL TOOLBOX \*\*
- \*\* TANK TO HAVE FULL LEGS & BOLT TO CROSSMEMBERS \*\*
- \*\* TANK CAPABLE TO STAND ALONE WITH GENSET MOUNTED \*\*



**SQUARE MOUNT JACK**

**APPROVED  
AVIV CHETRIT  
9-JUNE-17**

**PROPRIETARY AND CONFIDENTIAL**  
THE INFORMATION CONTAINED IN THIS DRAWING IS THE SOLE PROPERTY OF ZIERKE BUILT MFG, INC. ANY RE-PRODUCTION IN PART OR AS A WHOLE WITHOUT THE WRITTEN PERMISSION OF ZIERKE BUILT MFG, INC. IS PROHIBITED.

UNLESS OTHERWISE SPECIFIED:		NAME	DATE
DIMENSIONS ARE IN INCHES	DRAWN	TJ	10/20/2011
TOLERANCES:	CHECKED	W	
FRACTIONAL ±	ENG APPR.		
ANGULAR: MACH ± BEND ± 1°	MFG APPR.		
TWO PLACE DECIMAL ±.12	Q.A.		
THREE PLACE DECIMAL ±.062	COMMENTS:		
INTERPRET GEOMETRIC TOLERANCING PER:			
MATERIAL:			
FINISH: BLACK PAINT			
WEIGHT: 576.98 LBS			

**ZBM** ZIERKE BUILT MANUFACTURING, INC  
120 6th AVENUE SE  
WINNEBAGO, MINNESOTA 56098

**ZIERKE BUILT MFG**

TITLE: TRAILER ASSY (WIIN-350041-95-1) 3500 LB T2  
55 GAL SW REMOVEABLE  
81.00L x 36.00W x 6.00H

SIZE	DWG. NO.	REV
<b>B</b>	TRAILER ASSY (WIIN-350041-95-1)	<b>L</b>
SCALE: 1:18	DO NOT SCALE DRAWING	SHEET 2 OF 3