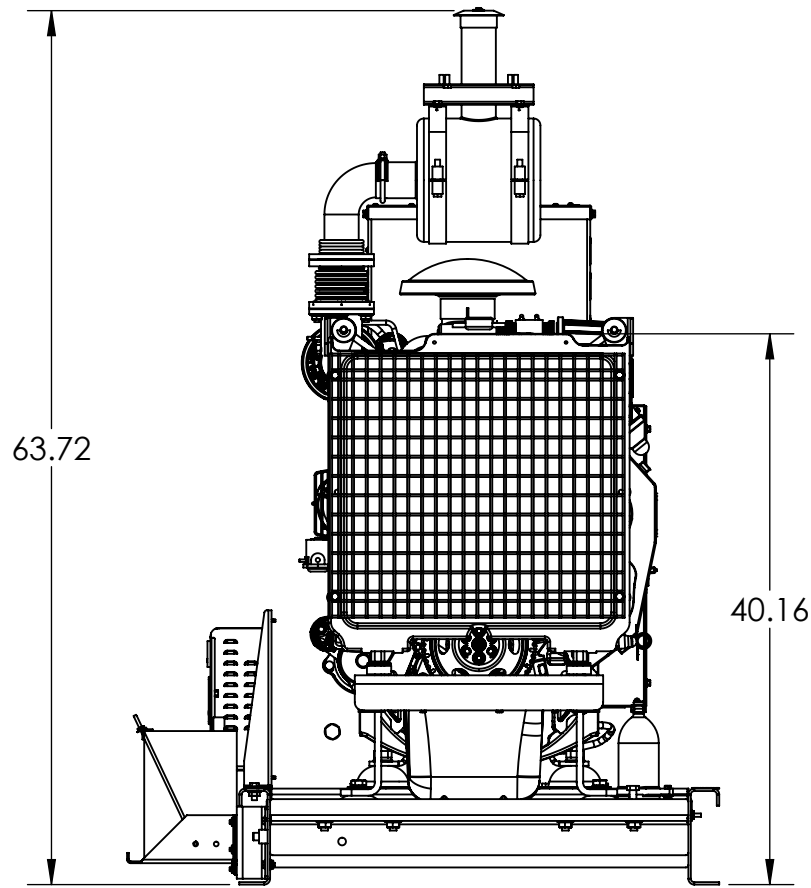


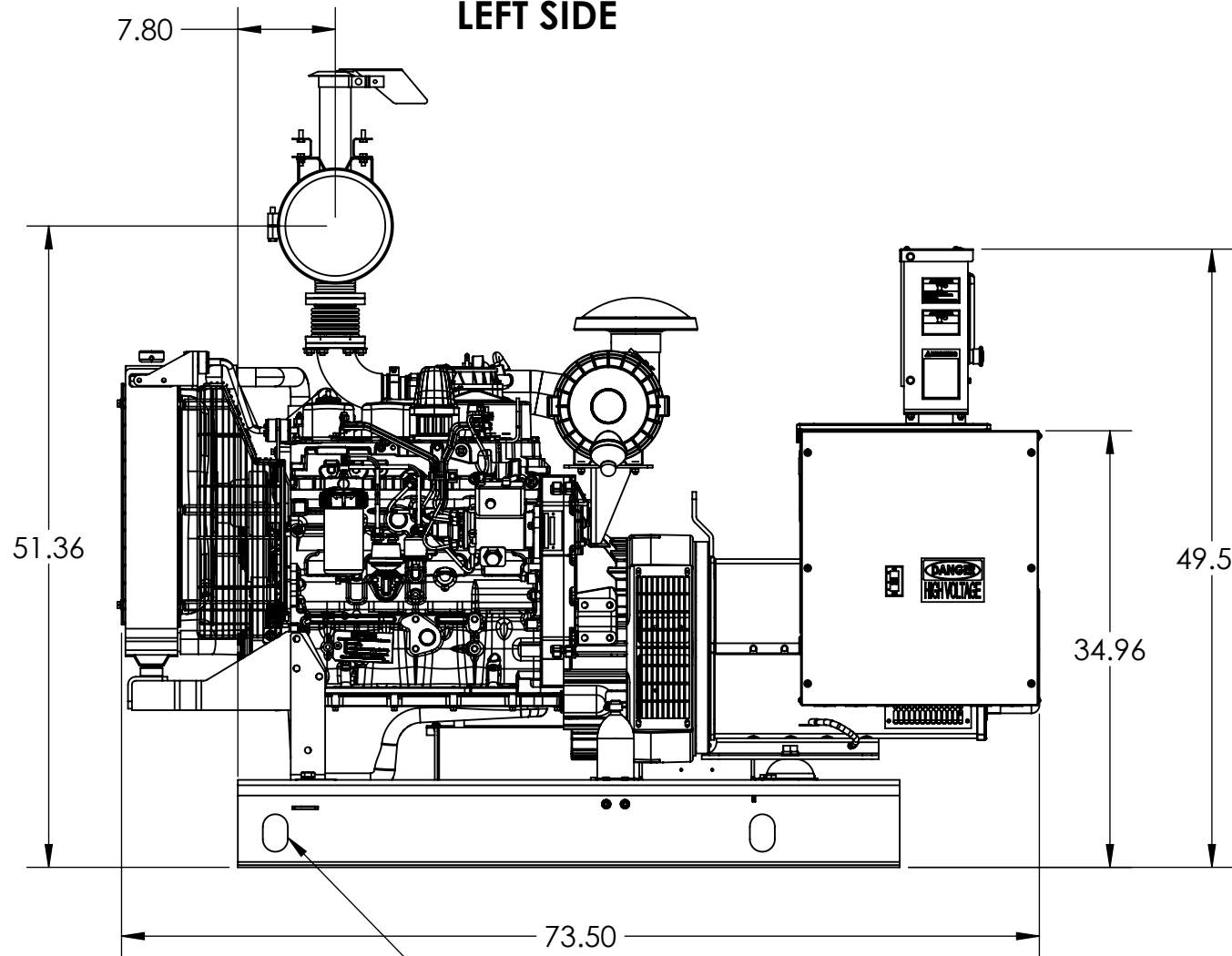
089-O

REVISIONS					
REV.	IRN	DESCRIPTION	DATE	BY	APP'D
A	14750	NEW PART	11/6/2023	VP	DRC

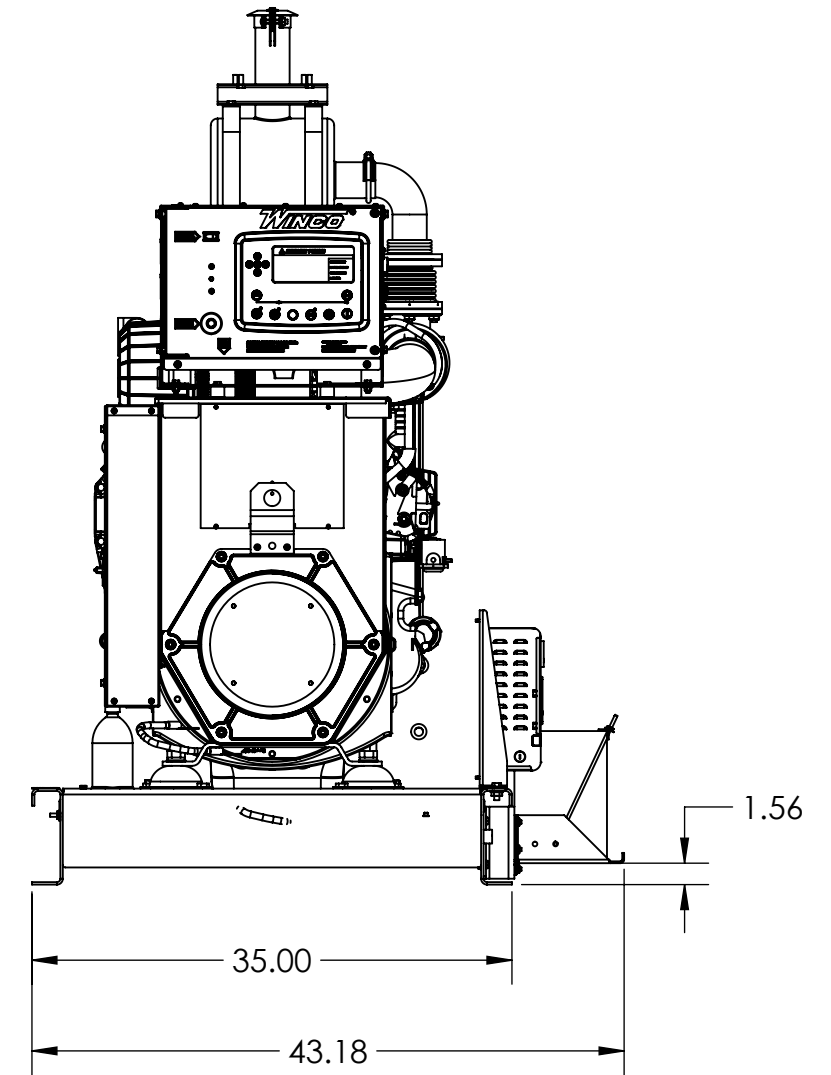
FRONT



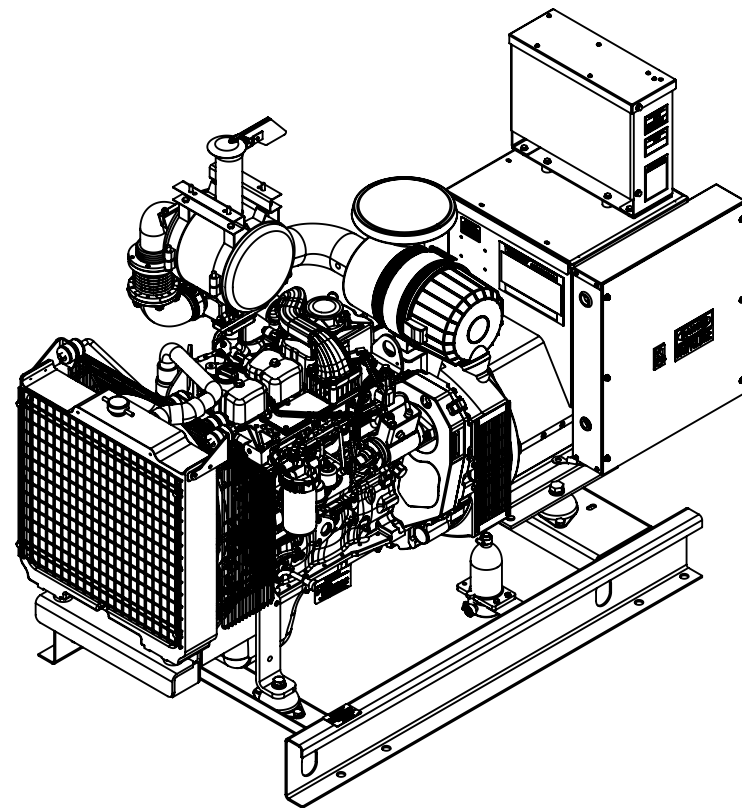
LEFT SIDE



REAR



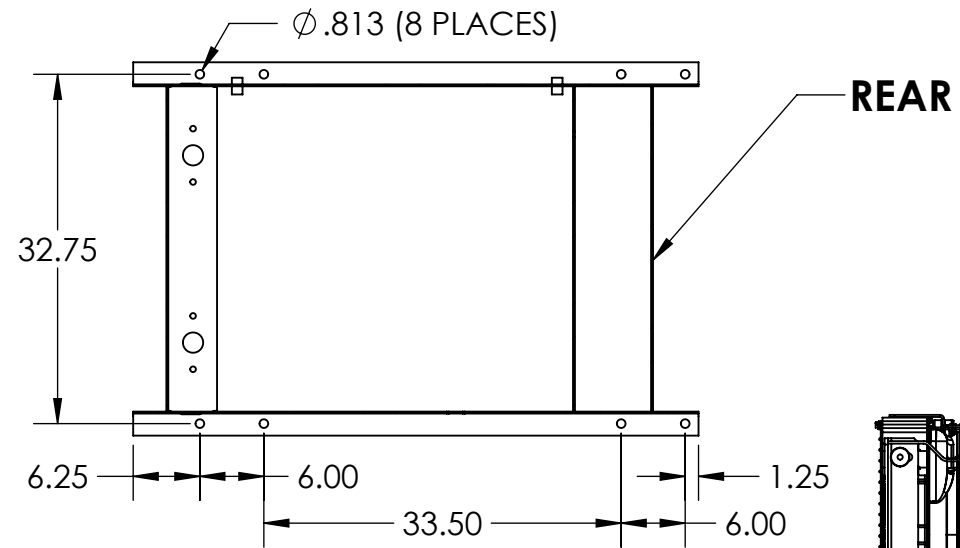
**LIFT POINT
2.00 X 3.00**



THIS DRAWING CONTAINS PROPRIETARY INFORMATION BELONGING TO WINCO. UNAUTHORIZED USE IS PROHIBITED	TOLERANCE:	+/- 0.0625 DECIMAL +/- 1 DEG ANGULAR	TITLE: OUTLINE DRAWING DR45-65
	WEIGHT:	LBS	
	MODEL:	DR45-65	PART: O-580
ALL DIMENSIONS INCH ALL WEIGHT POUNDS	WINCO ®		1 of 2

089-O

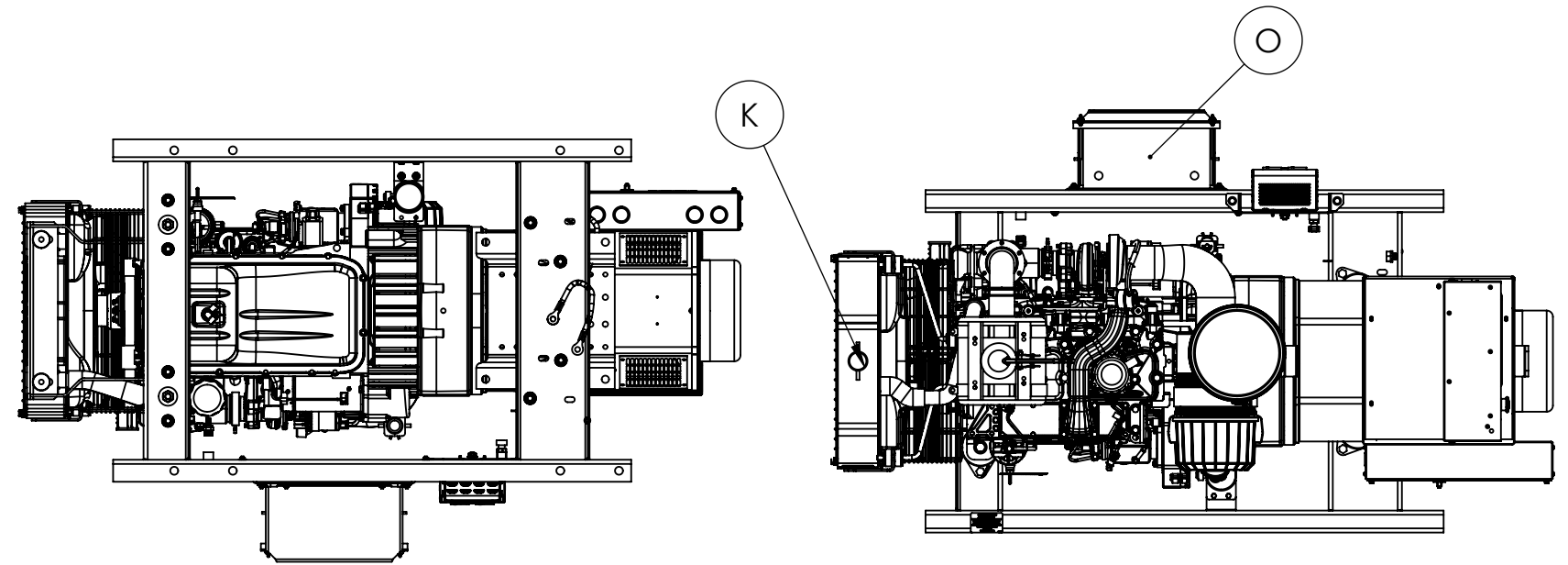
TOP VIEW HOLE PATTERN



REVISIONS					
REV.	IRN	DESCRIPTION	DATE	BY	APP'D
A	DR45-65	NEW PART	11/6/2023	VP	DRC

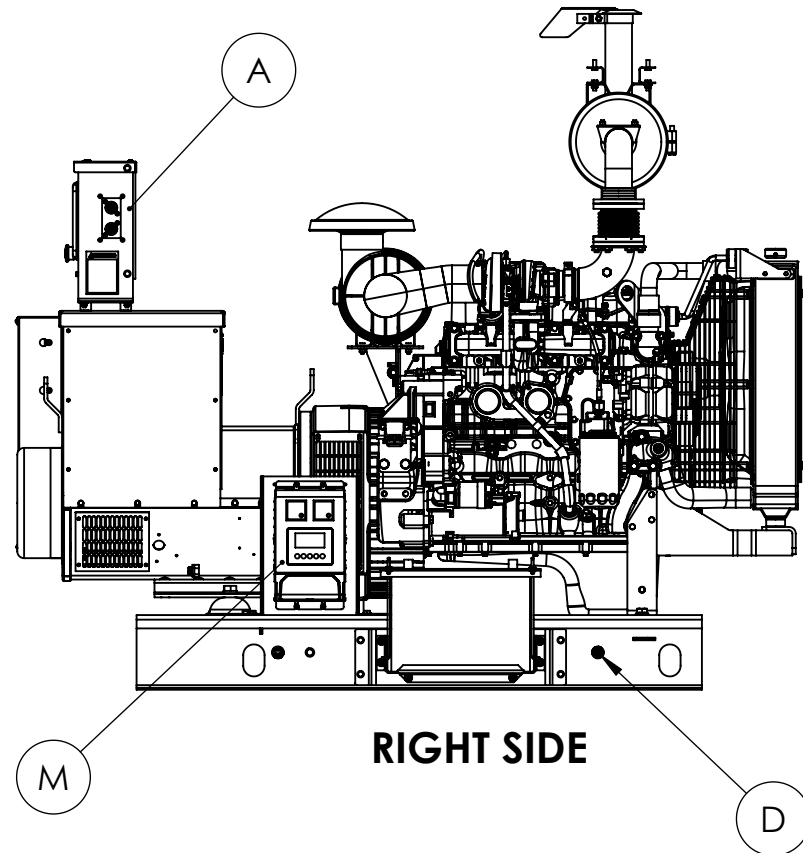
KEY COMPONENTS

A	ENGINE CONTROL
B	-
C	OIL FILL
D	OIL DRAIN
E	OIL DIPSTICK
F	OIL FILTER
G	FUEL FILTER
H	FUEL INLET
I	AIR FILTER
J	COOLANT DRAIN
K	COOLANT FILL
L	AVR
M	BATTERY CHARGER
N	BLOCK HEATER
O	BATTERY

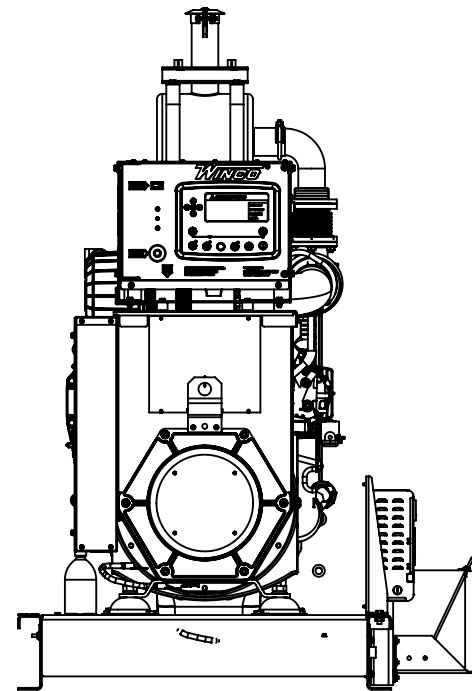


BOTTOM VIEW

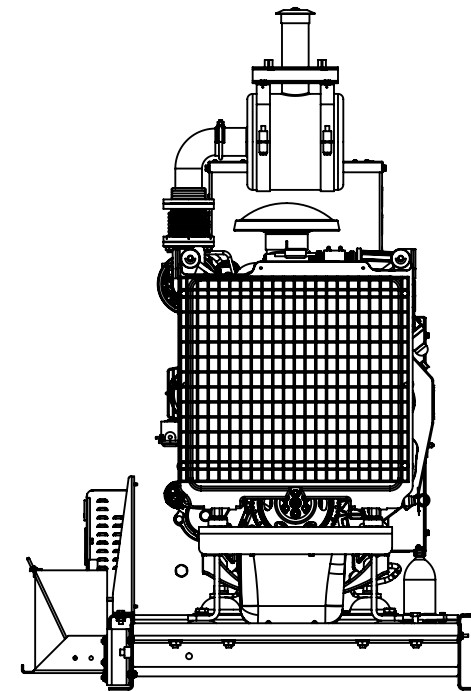
TOP VIEW



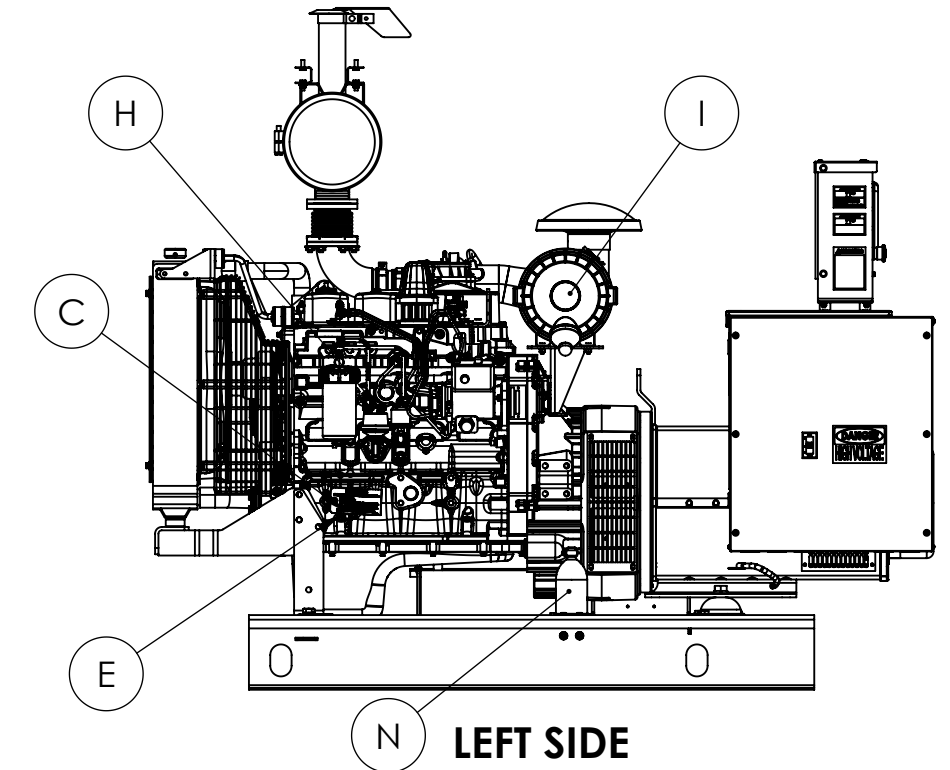
RIGHT SIDE



REAR



FRONT



LEFT SIDE

THIS DRAWING CONTAINS PROPRIETARY INFORMATION BELONGING TO WINCO. UNAUTHORIZED USE IS PROHIBITED.

TOLERANCE: +/- 0.0625 DECIMAL
 +/- 1 DEG ANGULAR
 WEIGHT: LBS
 MODEL: DR45-65



TITLE: OUTLINE DRAWING
 DR45-65

PART: O-580 2 of 2