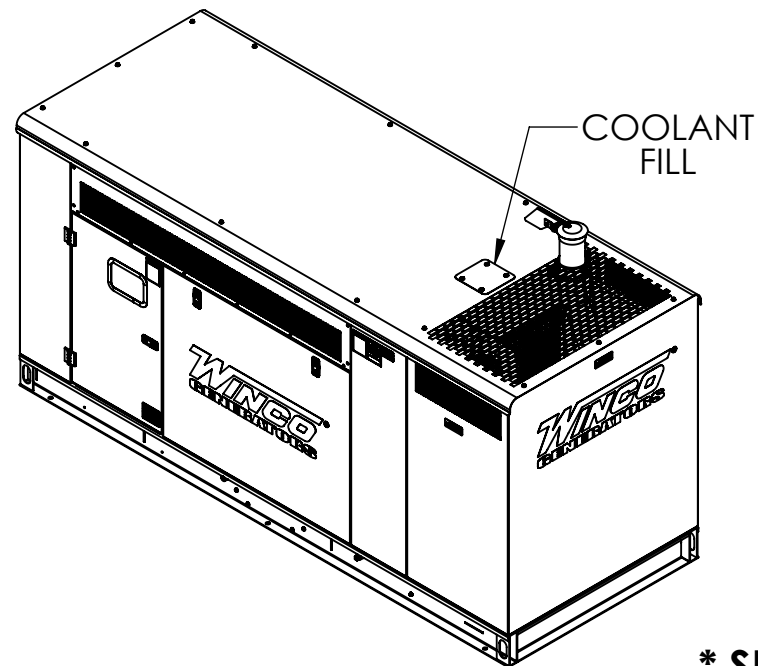
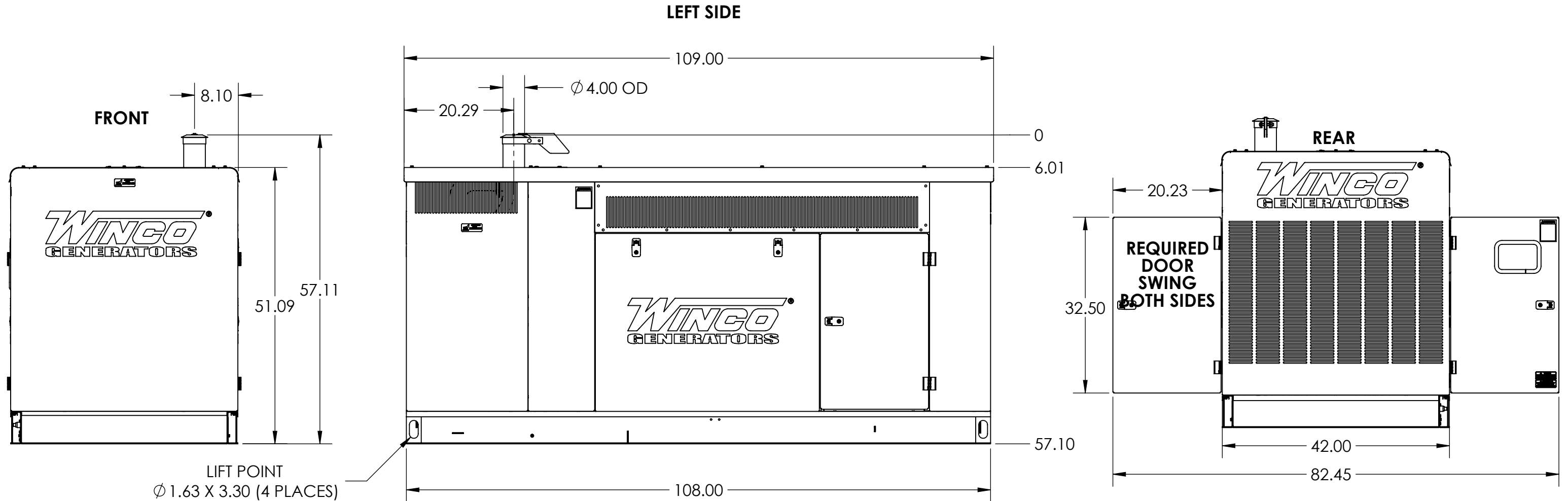


O-532

REVISIONS					
REV.	IRN	DESCRIPTION	DATE	BY	APP'D
*	CA13666	REMOVED FUEL TANK INFORMATION	2/16/2024	VP	DRC



*** SEE FUEL TANK DRAWINGS FOR CRITICAL LAYOUT INFORMATION ***

APPROX. WEIGHT NO TANK: 3100 LBS

THIS DRAWING CONTAINS PROPRIETARY INFORMATION BELONGING TO WINCO. UNAUTHORIZED USE IS PROHIBITED	TOLERANCE:	+/- 0.0625 DECIMAL +/- 1 DEG ANGULAR	TITLE: OUTLINE DRAWING
	WEIGHT:	LBS	
	MODEL:	DR90F4	PART: O-532
ALL DIMENSIONS INCH ALL WEIGHT POUNDS	WINCO ®		1 of 2

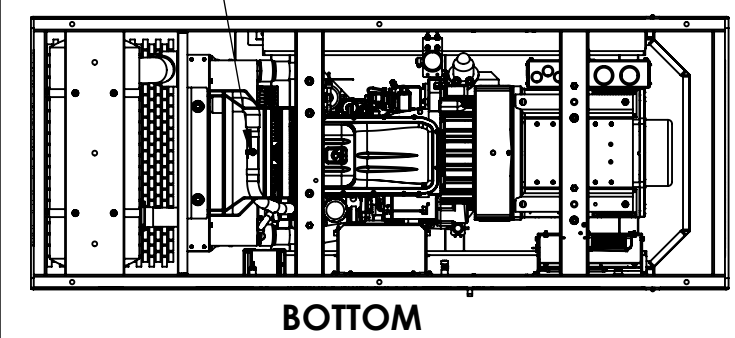
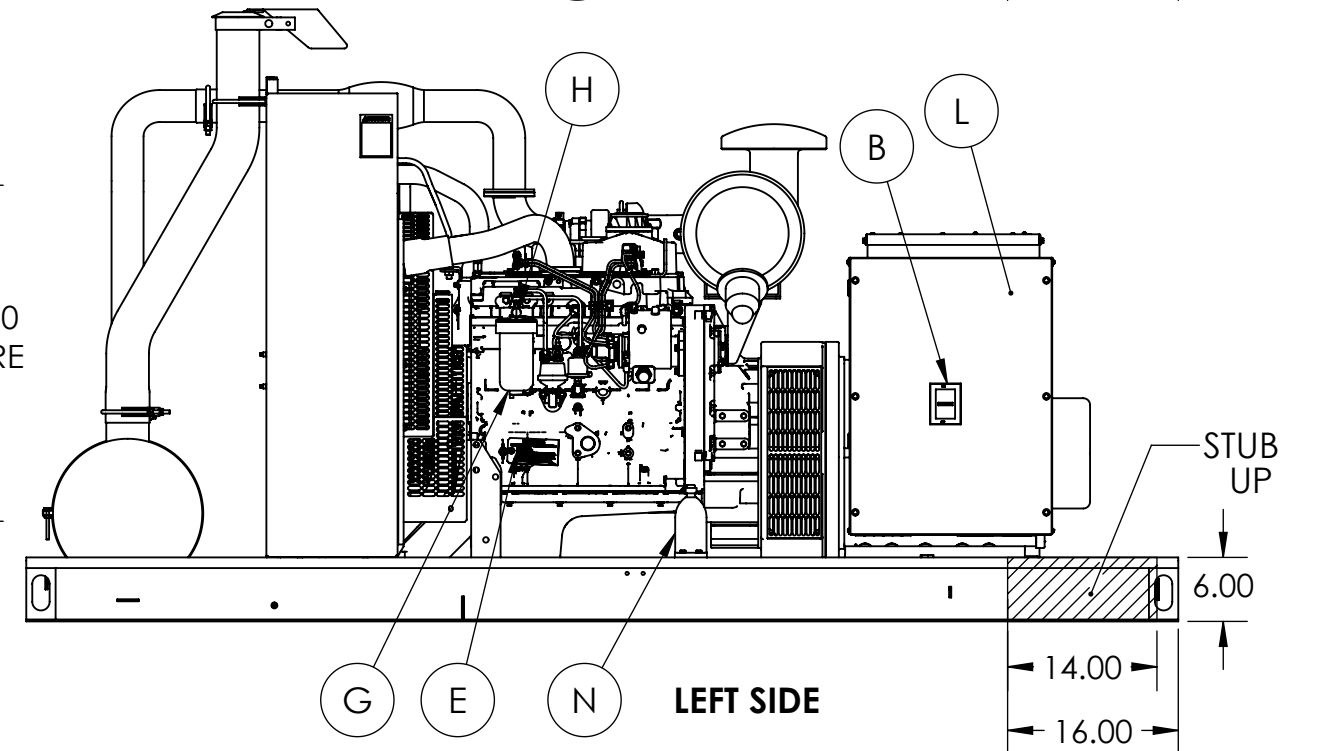
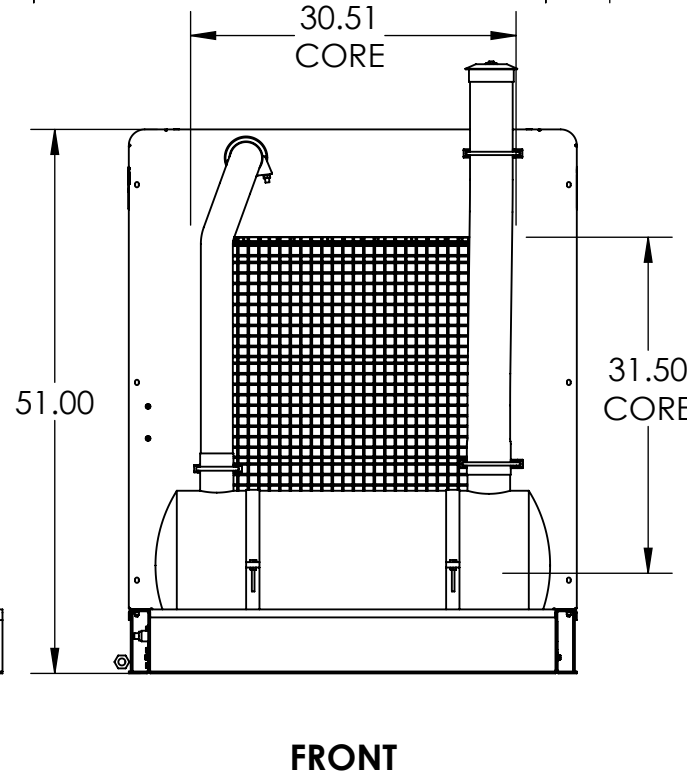
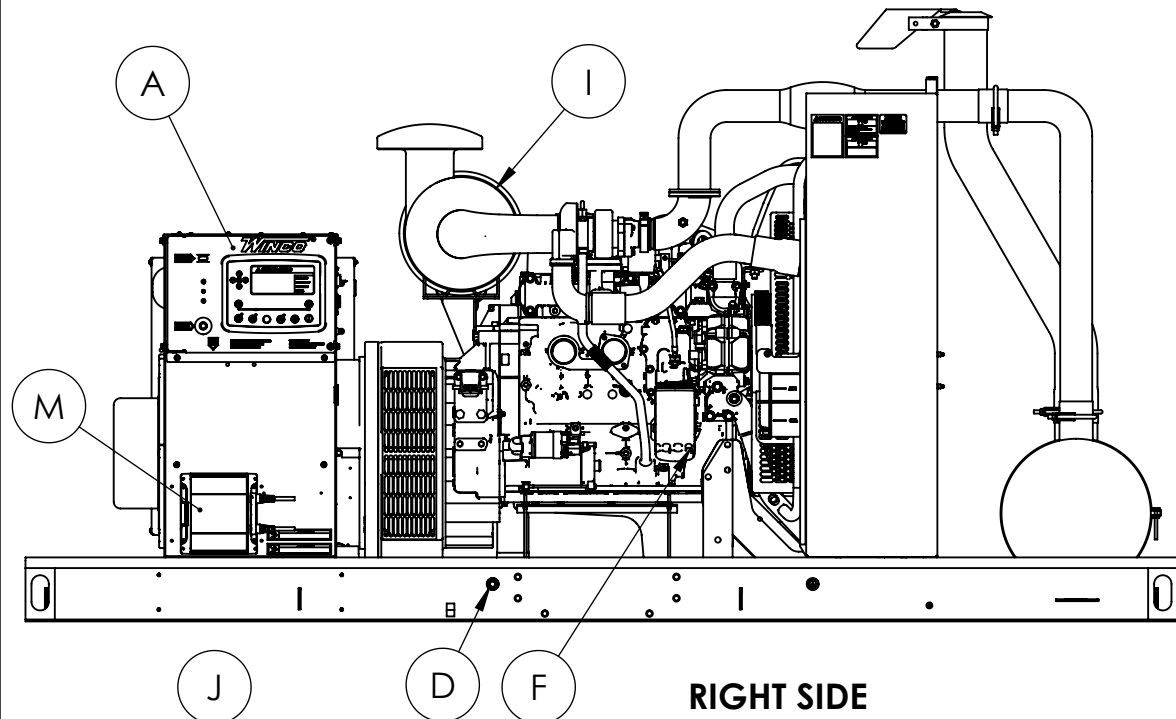
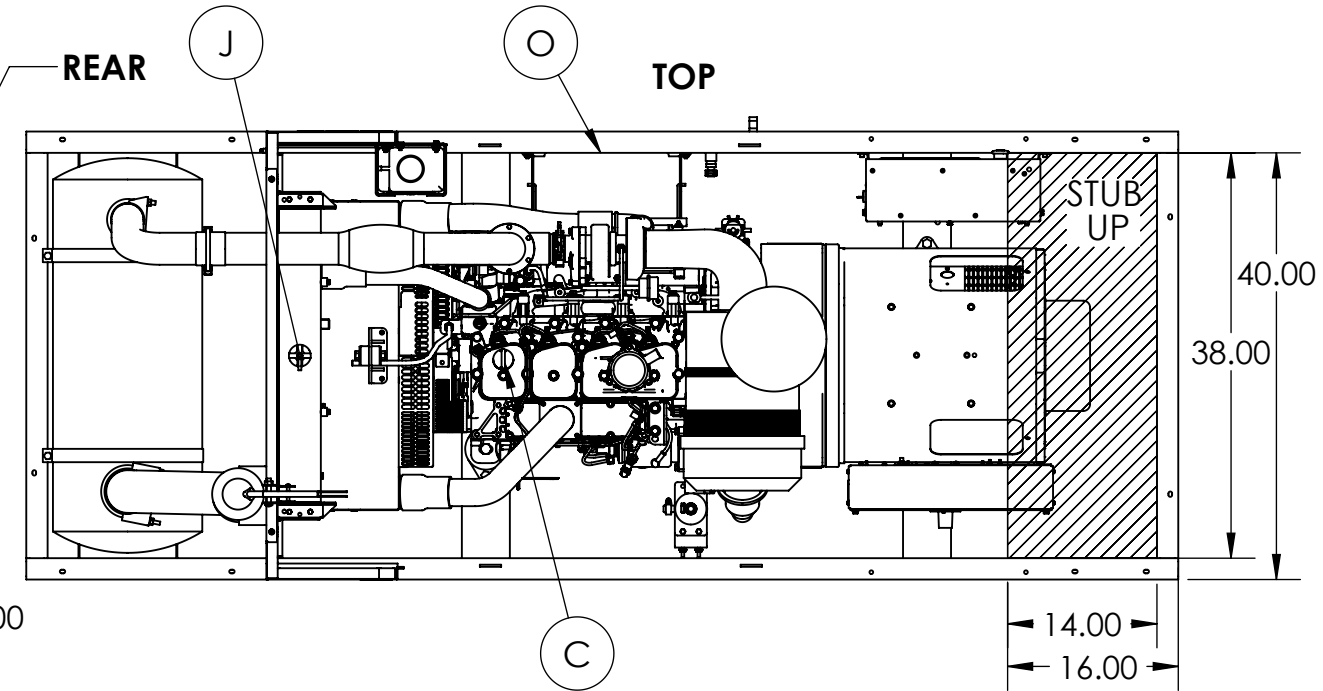
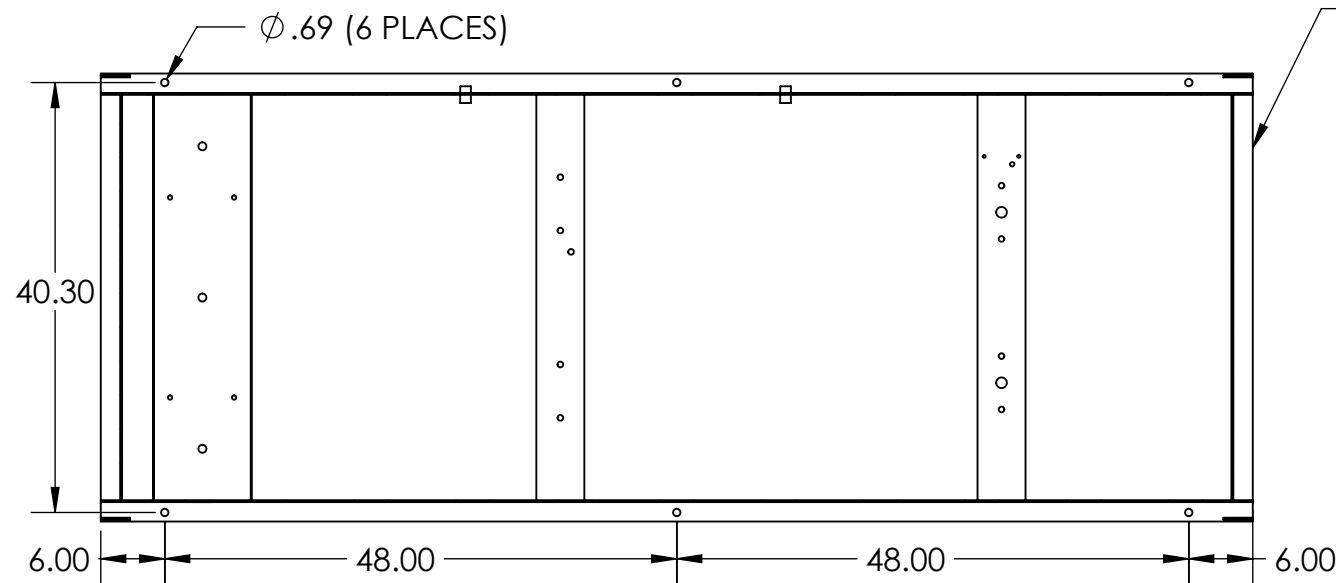
O-532

KEY COMPONENTS

A	ENGINE CONTROL
B	MAIN LINE CIRCUIT BREAKER
C	OIL FILL
D	OIL DRAIN
E	OIL DIPSTICK
F	OIL FILTER
G	FUEL FILTER
H	FUEL INLET
I	AIR FILTER
J	COOLANT DRAIN
K	COOLANT FILL
L	AVR
M	BATTERY CHARGER
N	BLOCK HEATER
O	BATTERY

REVISIONS					
REV.	IRN	DESCRIPTION	DATE	BY	APP'D
*	CA13666	REMOVED FUEL TANK INFORMATIONS	2/16/2024	VP	DRC

TOP VIEW HOLE PATTERN



3/8 FUEL HOSE

THIS DRAWING CONTAINS PROPRIETARY INFORMATION BELONGING TO WINCO. UNAUTHORIZED USE IS PROHIBITED.	TOLERANCE:	+/- 0.0625 DECIMAL +/- 1 DEG ANGULAR	TITLE:	OUTLINE DRAWING
	WEIGHT:	LBS	PART: O-532	
	MODEL:	DR90F4		
ALL DIMENSIONS INCH ALL WEIGHT POUNDS		WINCO ®		