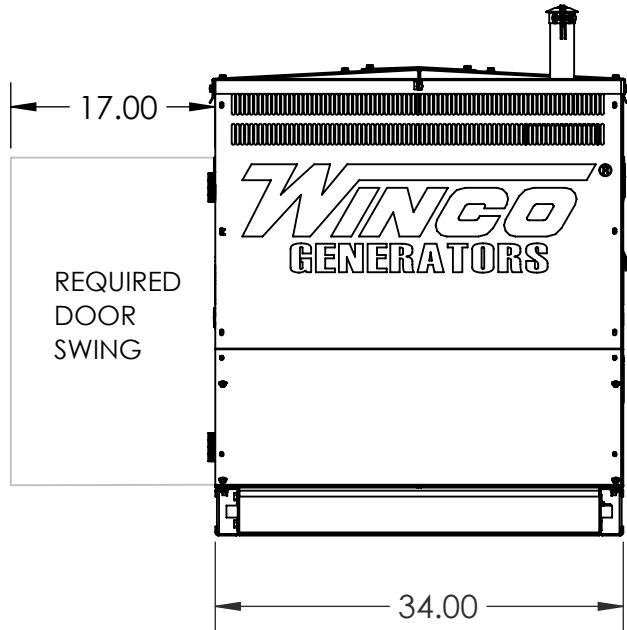


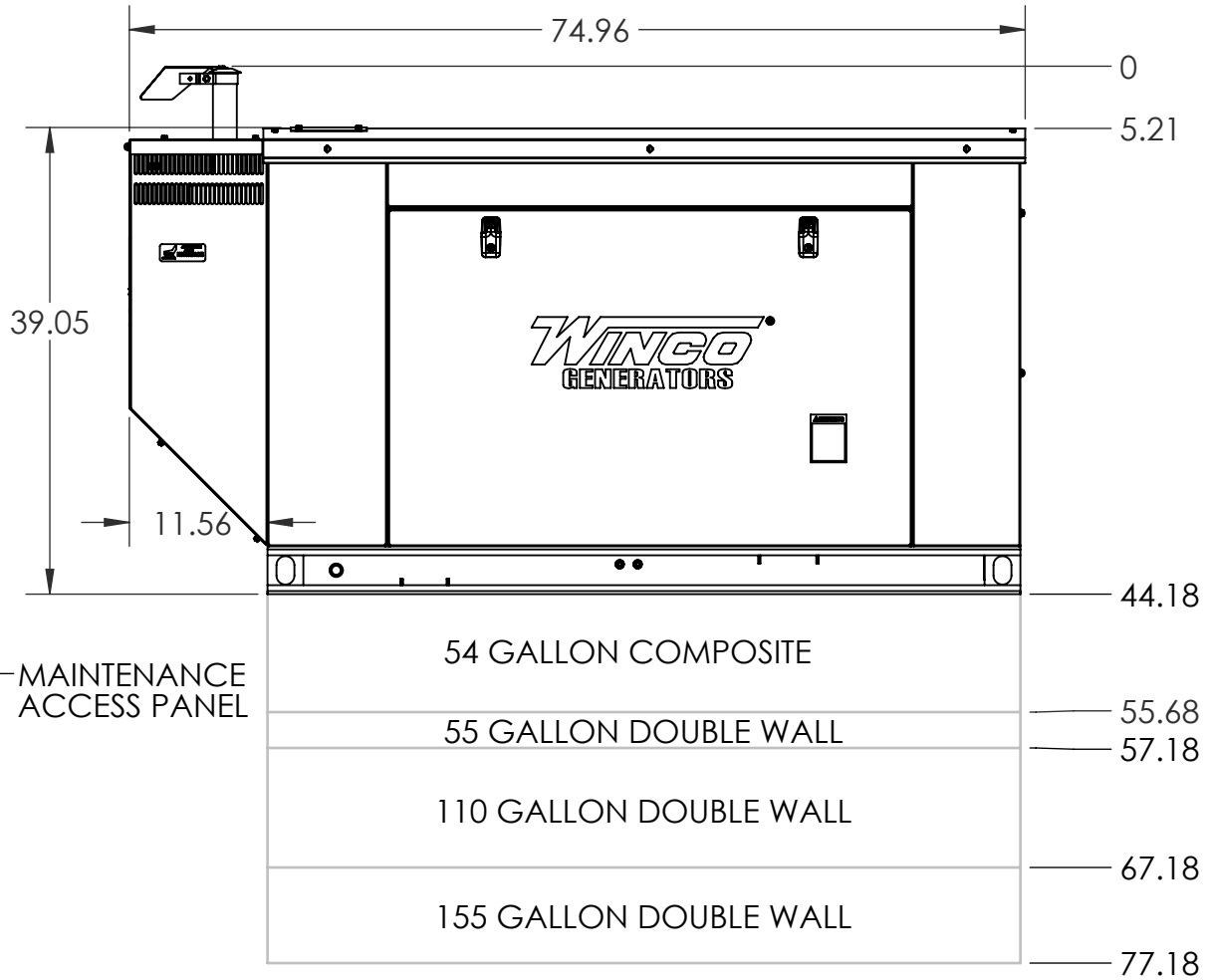
619-O



		REVISIONS			
REV.	IRN	DESCRIPTION	DATE	BY	APP'D
B	CA11185	UPDATED "32 GALLON COMPOSITE" TEXT WITH "54 GALLON COMPOSITE"	5/28/2020	TDS	PAK

FRONT VIEW



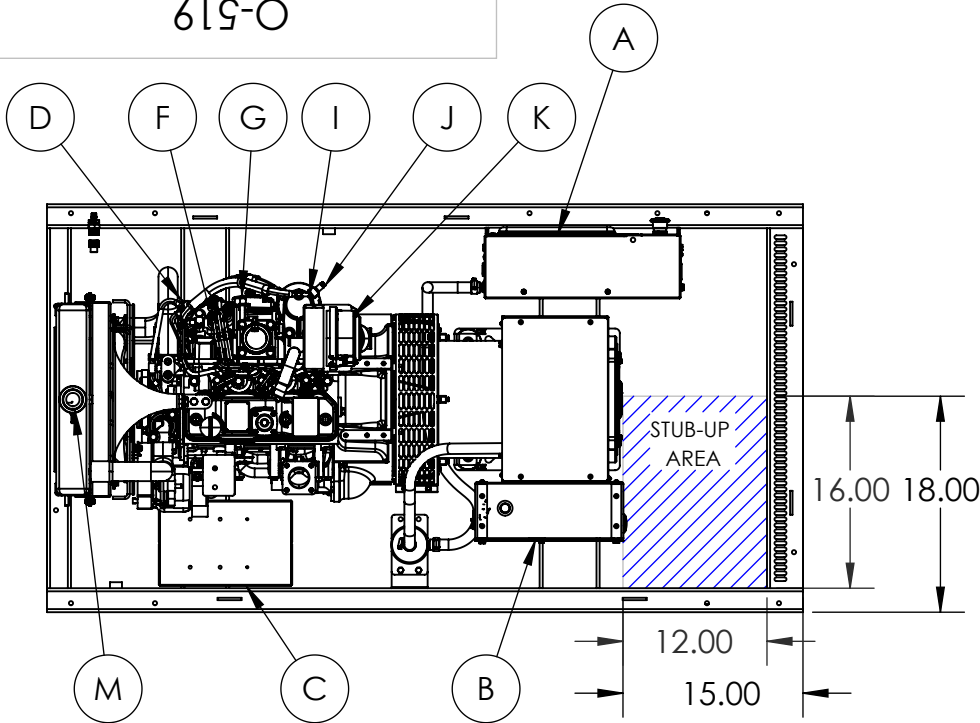
LEFT SIDE VIEW



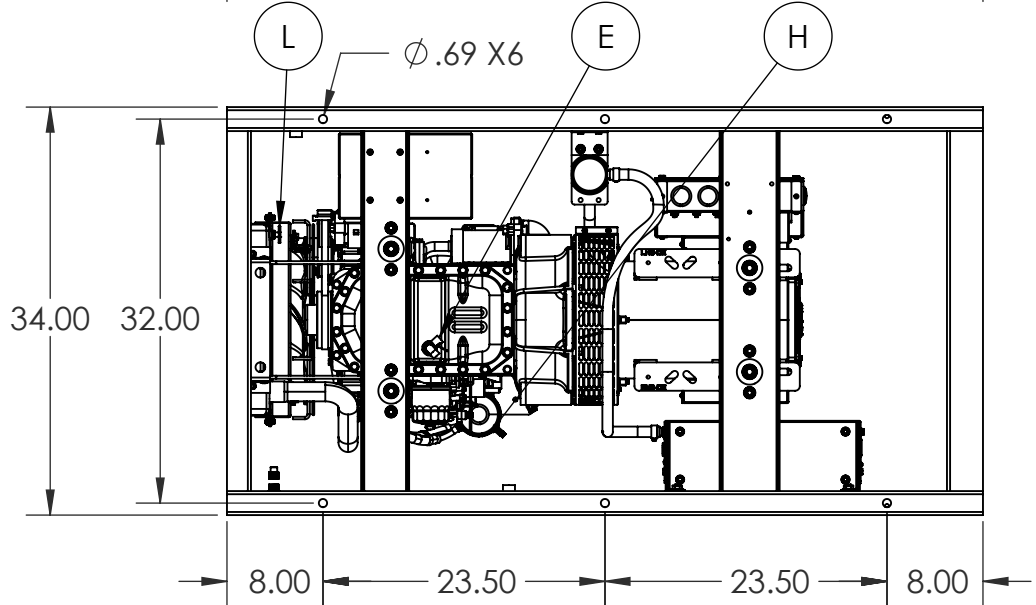
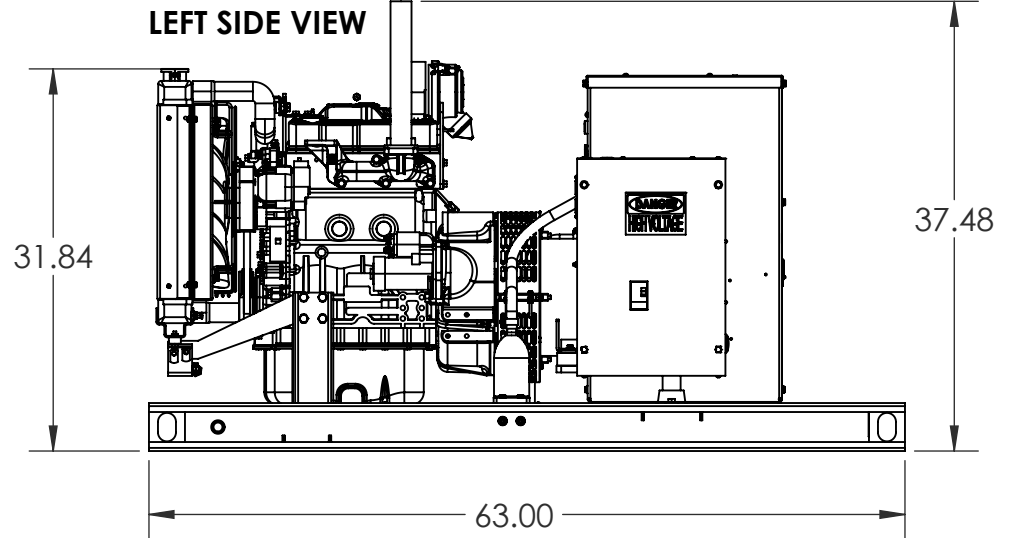
	DRAWN BY	DATE	CHK'D BY	DATE	ENG APPR.	DATE
	TDS	3/26/2020			DRC	4/13/2020
THIS DRAWING CONTAINS PROPRIETARY INFORMATION BELONGING TO WINCO. UNAUTHORIZED USE IS PROHIBITED ALL DIMESNIONS INCH	TOLERANCE:	+/- 0.0625 DECIMAL +/- 1 DEG ANGULAR		TITLE:		
	MODEL:	DR12		DR12 OUTLINE DRAWING		
				PART:	O-519	

619-O

		REVISIONS			
REV.	IRN	DESCRIPTION	DATE	BY	APP'D
B	CA11185	UPDATED "32 GALLON COMPOSITE" TEXT WITH "54 GALLON COMPOSITE"	5/28/2020	TDS	PAK





TOP VIEW



BOTTOM VIEW

Key Components

A	ENGINE CONTROL
B	MAIN LINE CIRCUIT BREAKER
C	START BATTERY
D	OIL FILL
E	OIL DRAIN
F	OIL DIPSTICK
G	OIL FILTER
H	FUEL FILTER
I	FUEL IN
J	FUEL RETURN
K	AIR FILTER
L	COOLANT DRAIN
M	COOLANT FILL

 THIS DRAWING CONTAINS PROPRIETARY INFORMATION BELONGING TO WINCO. UNAUTHORIZED USE IS PROHIBITED. ALL DIMENSIONS INCH	DRAWN BY TDS	DATE 3/26/2020	CHK'D BY	DATE	ENG APPR. DRC	DATE 4/13/2020
	TOLERANCE: MODEL:	+/- 0.0625 DECIMAL +/- 1 DEG ANGULAR DR12		TITLE: DR12 OUTLINE DRAWING		
			PART: O-519			