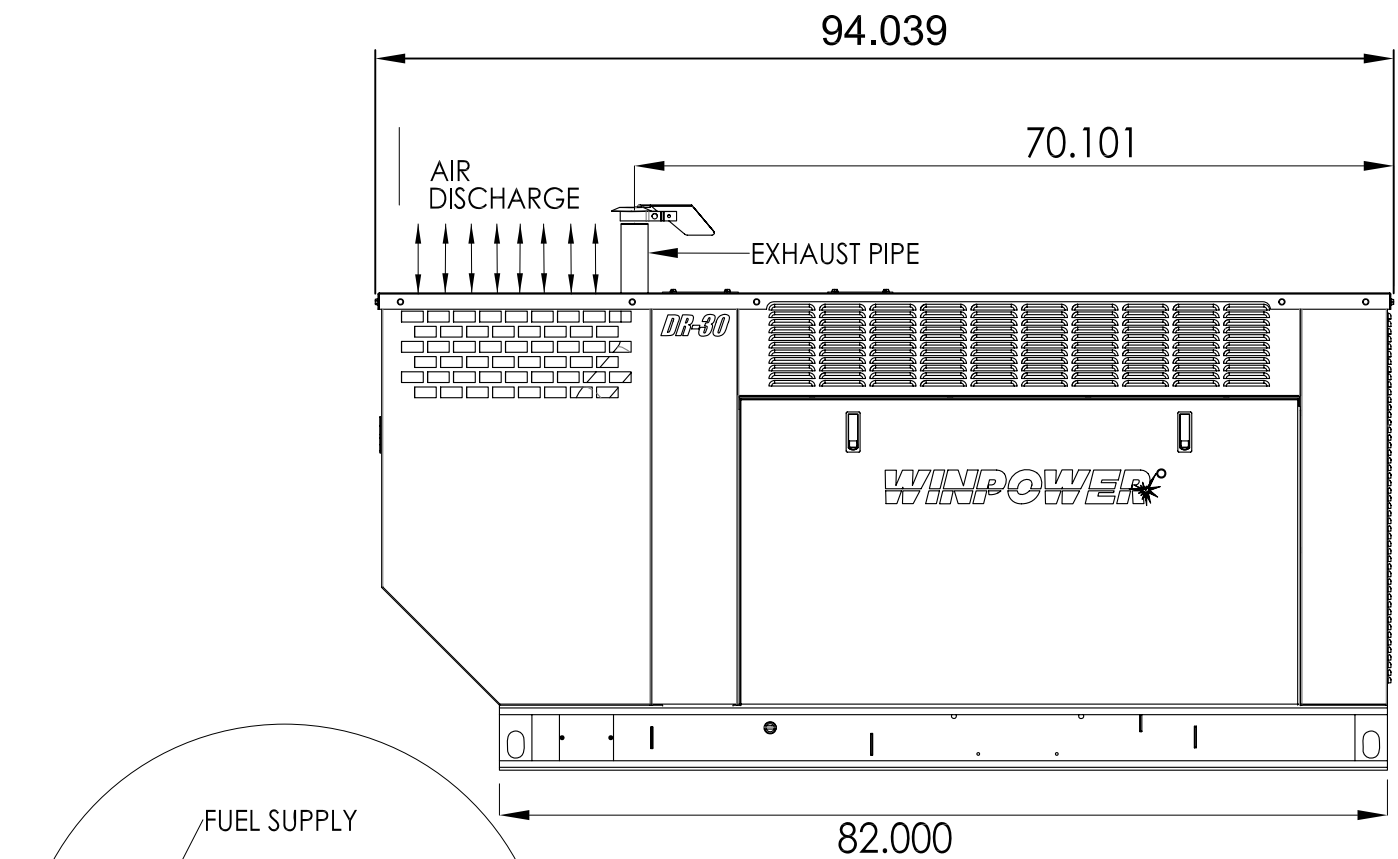
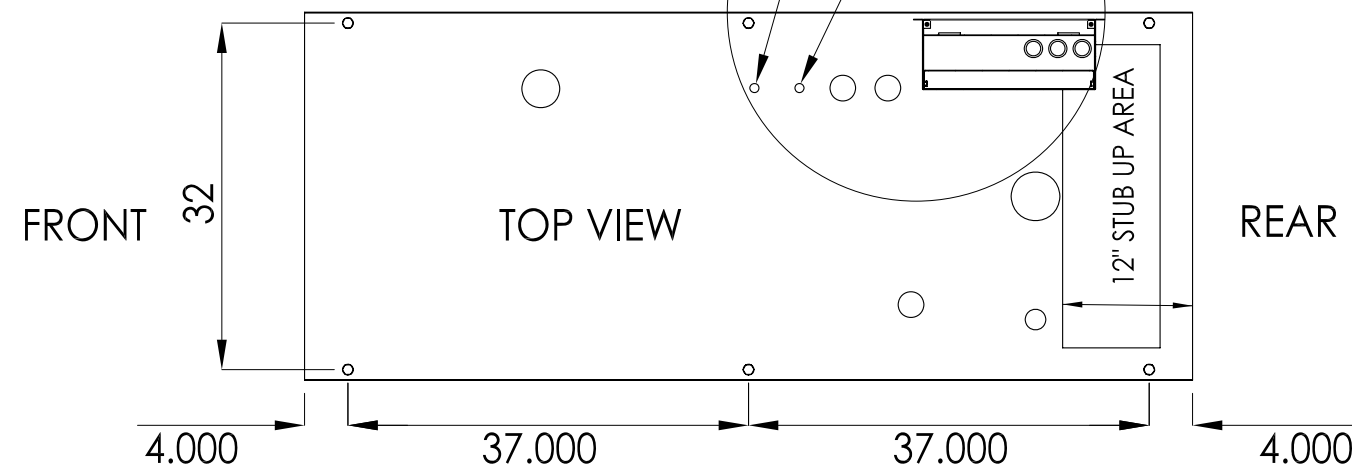
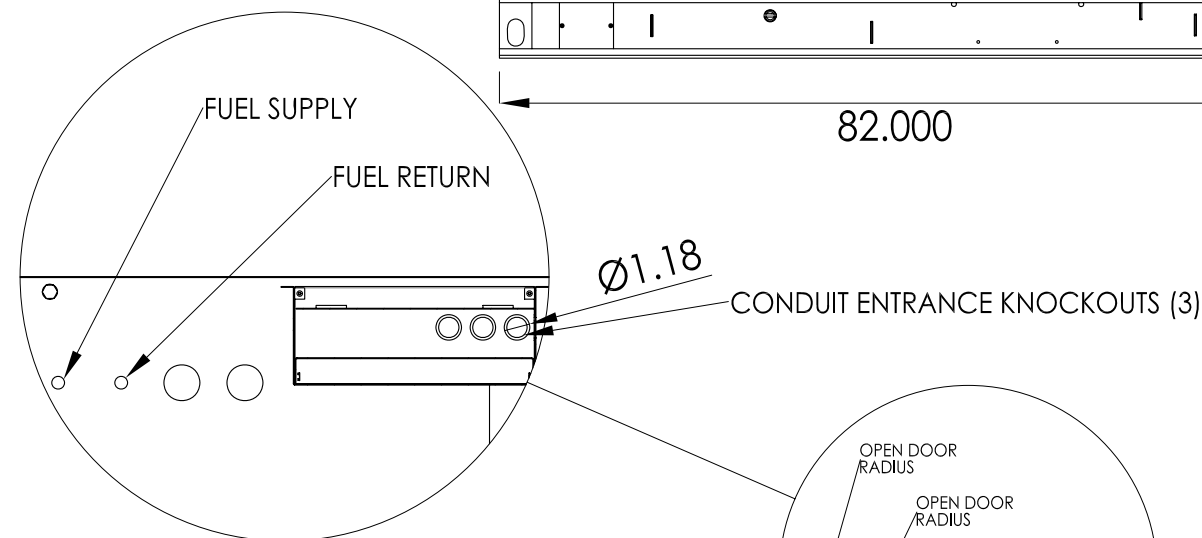
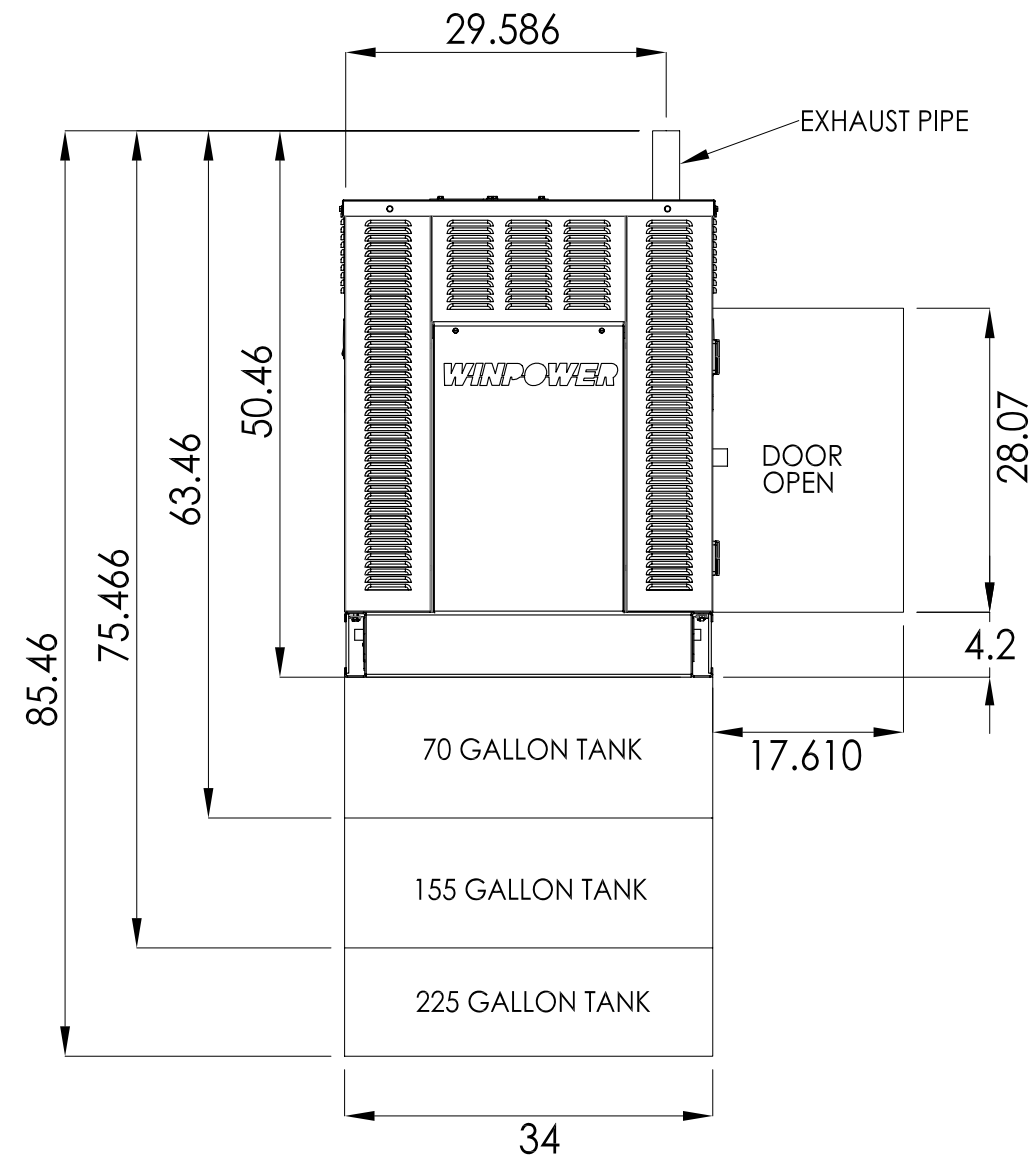


LEFT SIDE VIEW



REAR VIEW



UNLESS OTHERWISE SPECIFIED			MACHINED SURFACE TEXTURE		ALL DIMENSIONS GIVEN IN INCHES WORK TO DIMENSIONS FLAT OUTSIDE VIEW SHOWN UNLESS NOTED -DO NOT SCALE-			
FRACTIONS			ANGULAR					
1 PLACE DEC.	.1		1.5					
2 PLACE DEC.	.015							
3 PLACE DEC.	.005							
<p>THIS DRAWING CONTAINS PROPRIETARY INFORMATION BELONGING TO WINCO. UNAUTHORIZED USE IS PROHIBITED</p>	DRAWN BY	DATE	CHK'D BY	DATE	ENG APPR.	DATE	SCALE	
	DJR	7/6/12						
	MATERIAL:							
	FINISH:							
ASSY:								
MODEL:	DR3014							
			PART NO.		473030-900		REV B	
			TITLE:		HOUSED OUTLINE DRAWING			