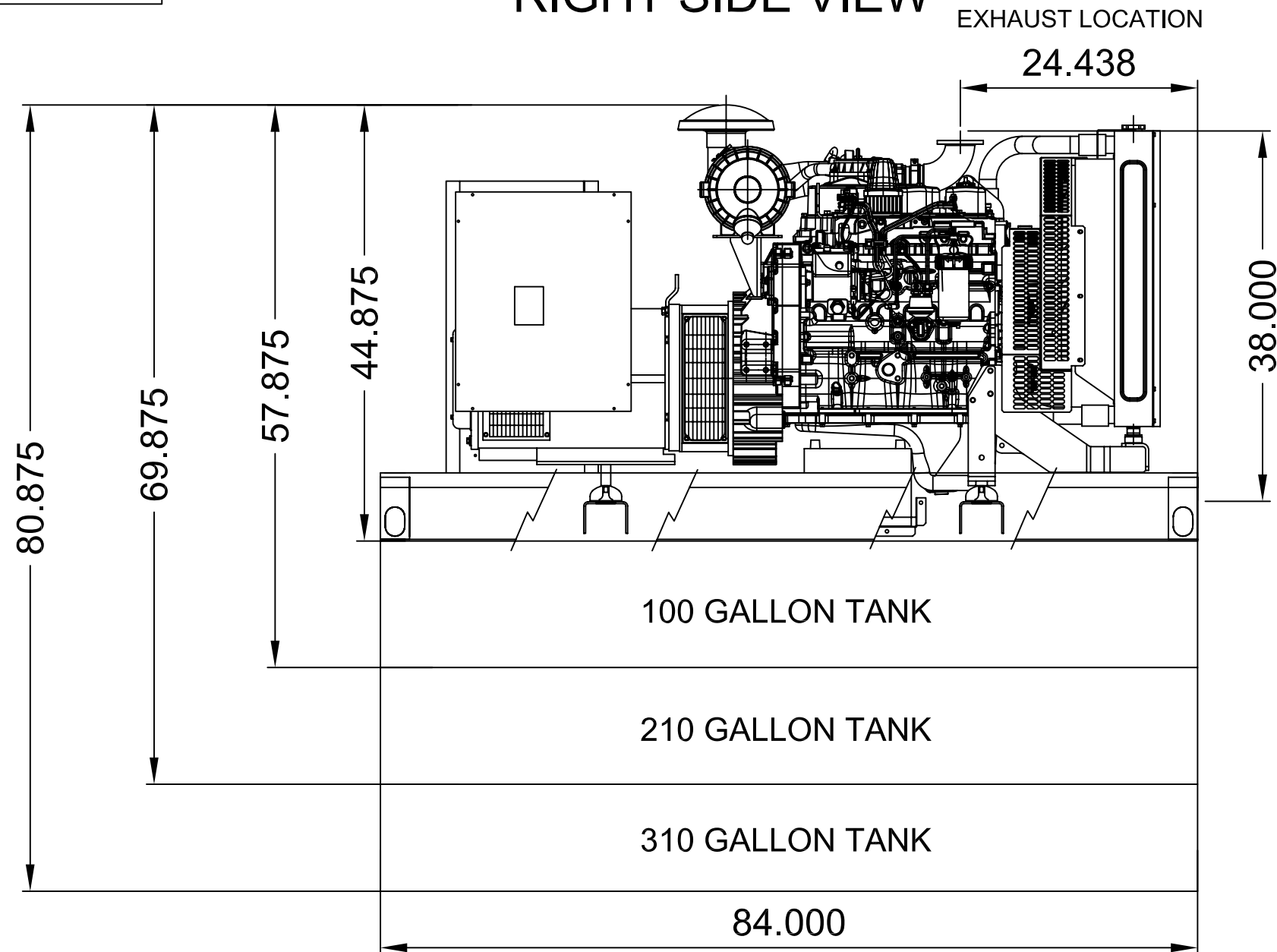
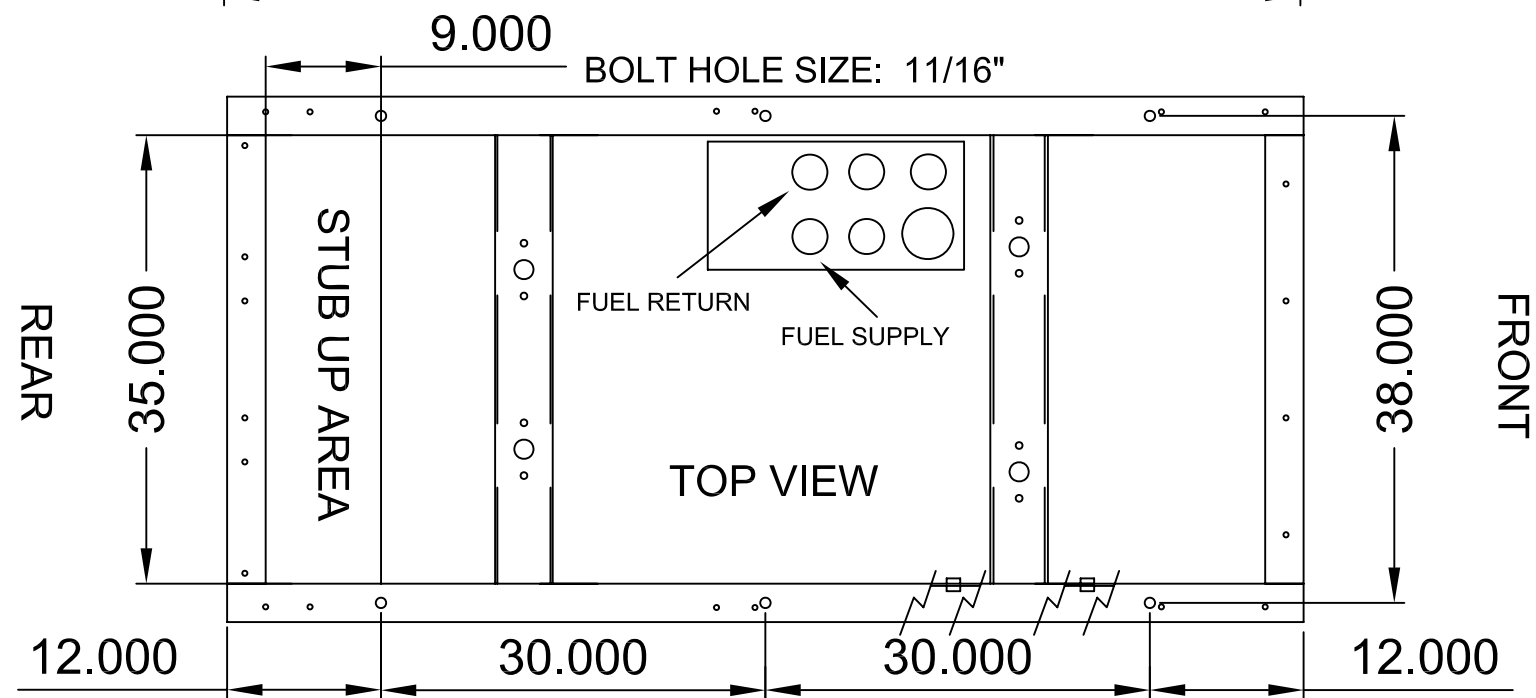
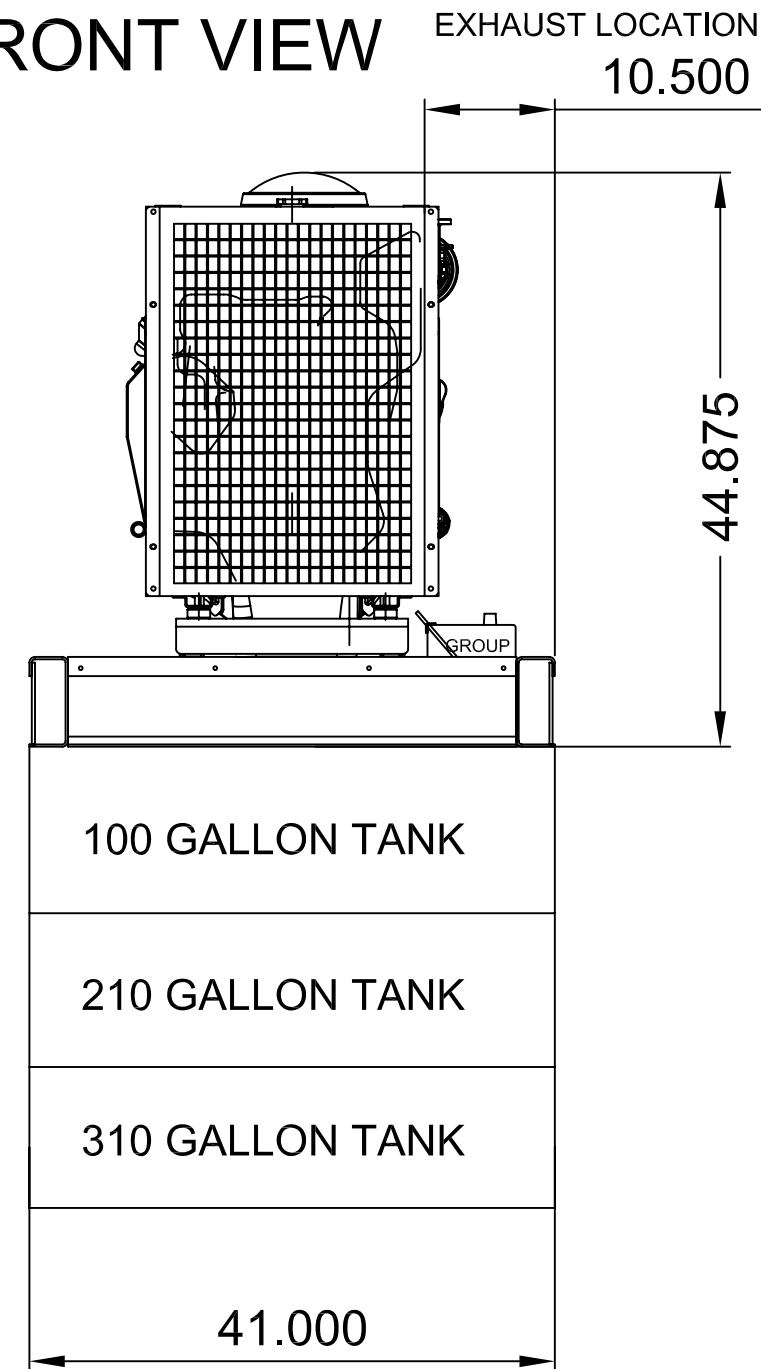


RIGHT SIDE VIEW



FRONT VIEW



UNLESS OTHERWISE SPECIFIED		MACHINED SURFACE TEXTURE		ALL DIMENSIONS GIVEN IN INCHES WORK TO DIMENSIONS FLAT OUTSIDE VIEW SHOWN UNLESS NOTED -DO NOT SCALE-			
FRACTIONS		ANGULAR					
1 PLACE DEC.	.1		1.5				
2 PLACE DEC.	.015						
3 PLACE DEC.	.005						
	DRAWN BY DJR	DATE 9/29/11	CHK'D BY	DATE	ENG APPR. CLR	DATE 10/03/11	SCALE
THIS DRAWING CONTAINS PROPRIETARY INFORMATION BELONGING TO WINCO. UNAUTHORIZED USE IS PROHIBITED	MATERIAL:						
	FINISH:						
	ASSY:						
	MODEL: DR6514	TITLE: OPEN OUTLINE DRAWING					
	PART NO. 455065-900				REV A		