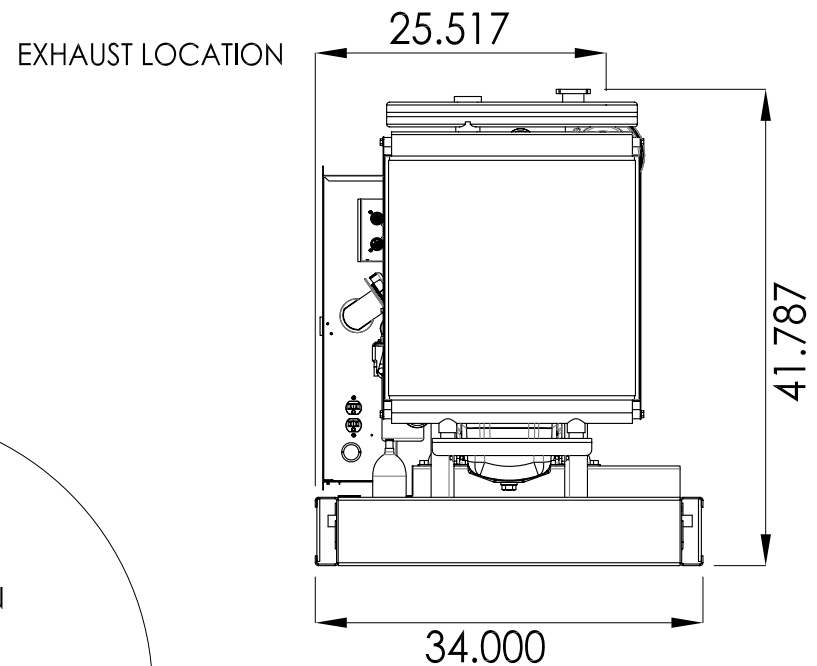
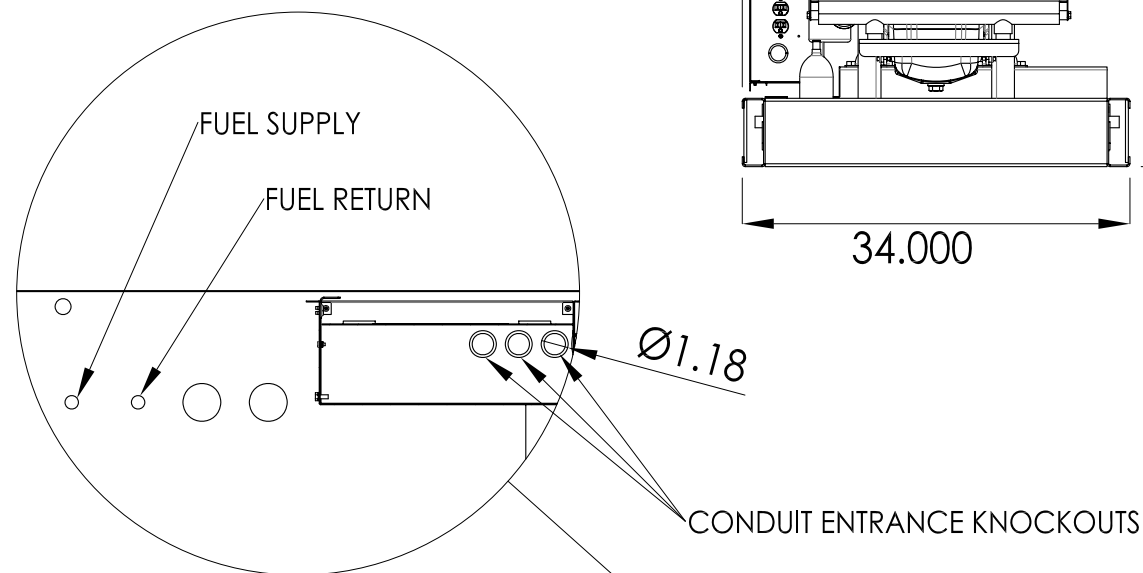
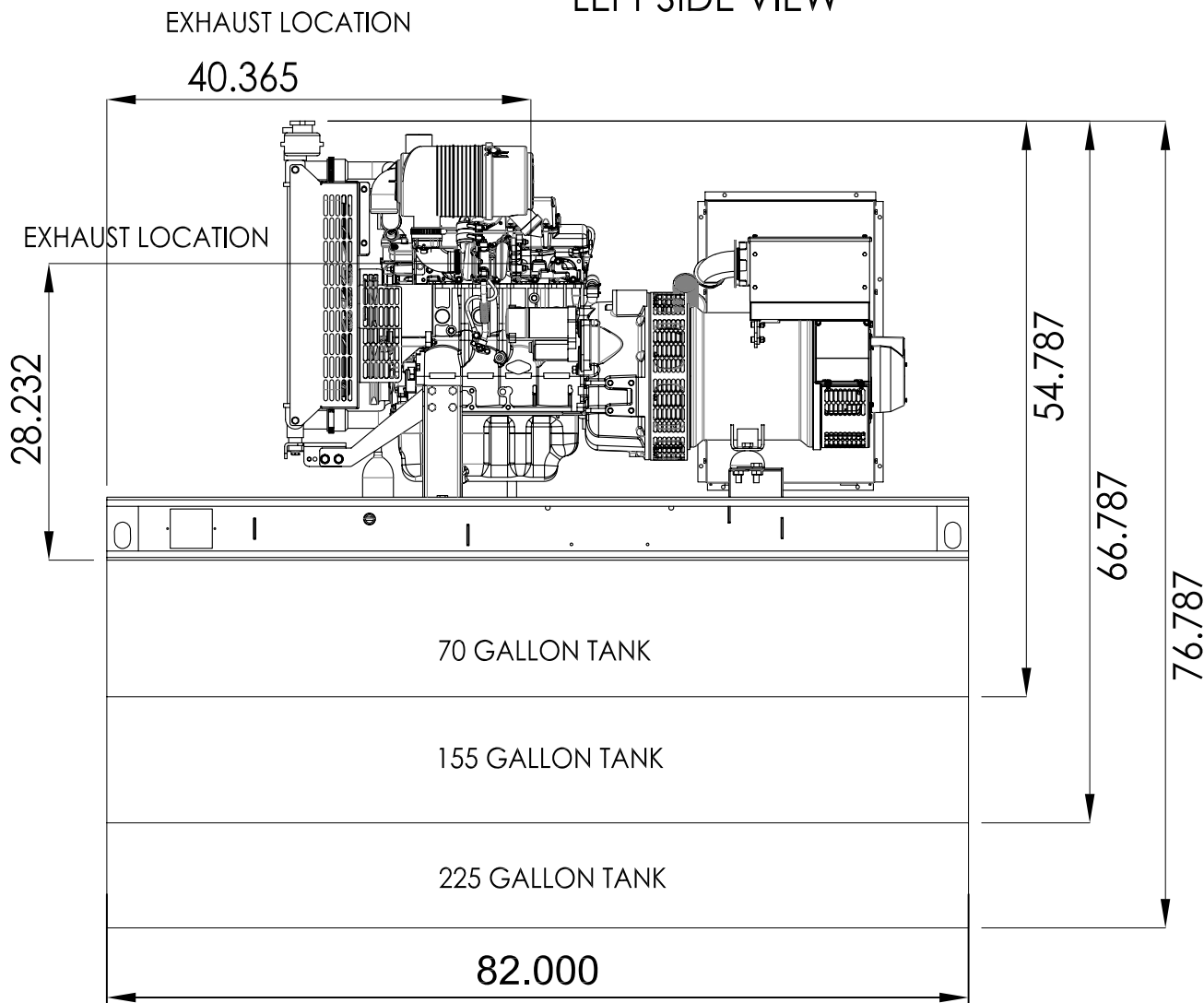


FRONT VIEW

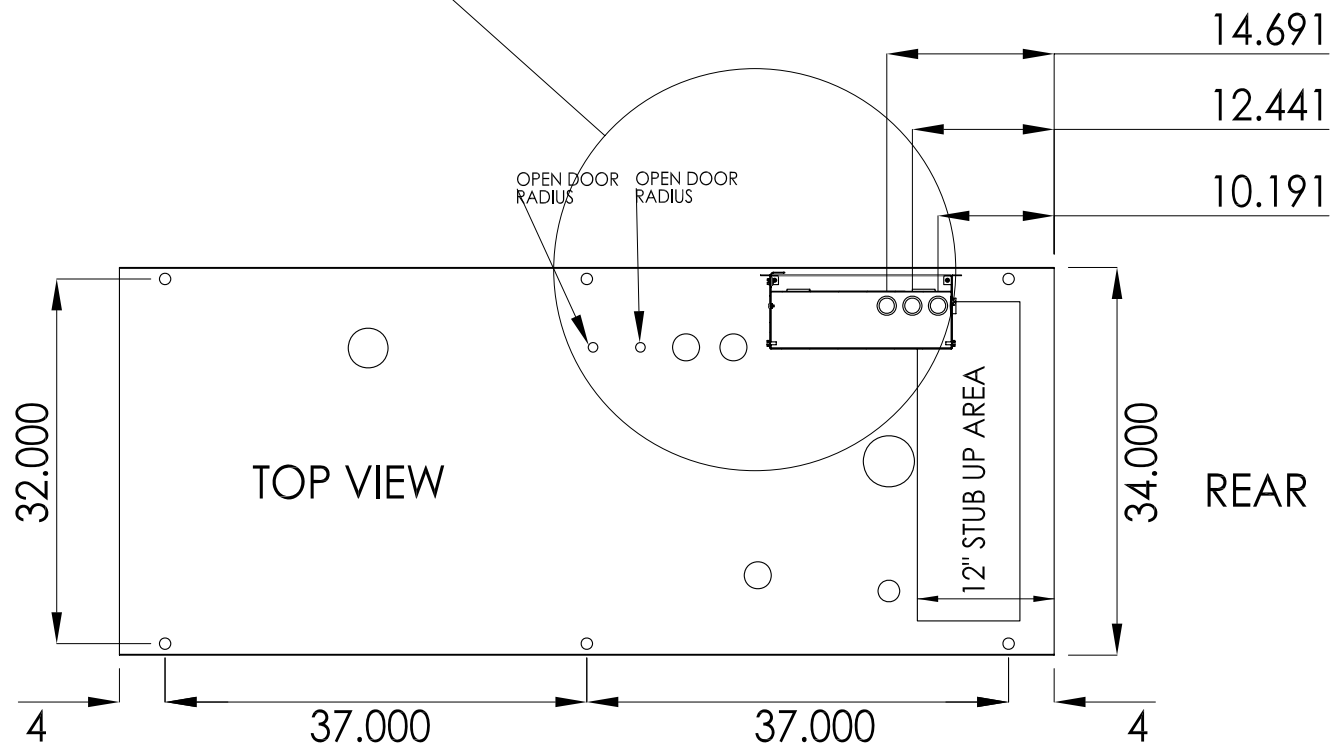


LEFT SIDE VIEW



FRONT

TOP VIEW



REAR

CONTACT FACTORY FOR UNIT MOUNTED EXHAUST

UNLESS OTHERWISE SPECIFIED			MACHINED SURFACE TEXTURE		ALL DIMENSIONS GIVEN IN INCHES WORK TO DIMENSIONS FLAT OUTSIDE VIEW SHOWN UNLESS NOTED -DO NOT SCALE-		
FRACTIONS		ANGULAR					
1 PLACE DEC.	.1	1.5					
2 PLACE DEC.	.015						
3 PLACE DEC.	.005						
	DRAWN BY	DATE	CHK'D BY	DATE	ENG APPR.	DATE	SCALE
	DJR	7/6/12					
THIS DRAWING CONTAINS PROPRIETARY INFORMATION BELONGING TO WINCO. UNAUTHORIZED USE IS PROHIBITED	MATERIAL:						
	FINISH:						
	ASSY:						
	MODEL:	DR3014					
			PART NO.		455030-900		REV B
			TITLE:		OPEN OUTLINE DRAWING		