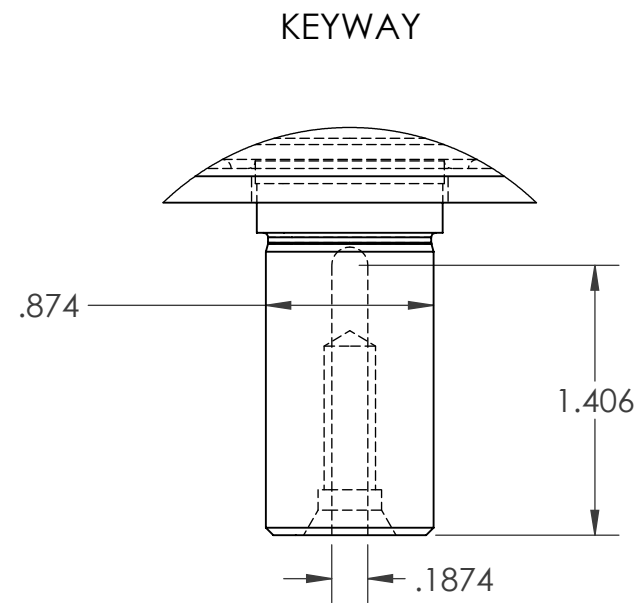
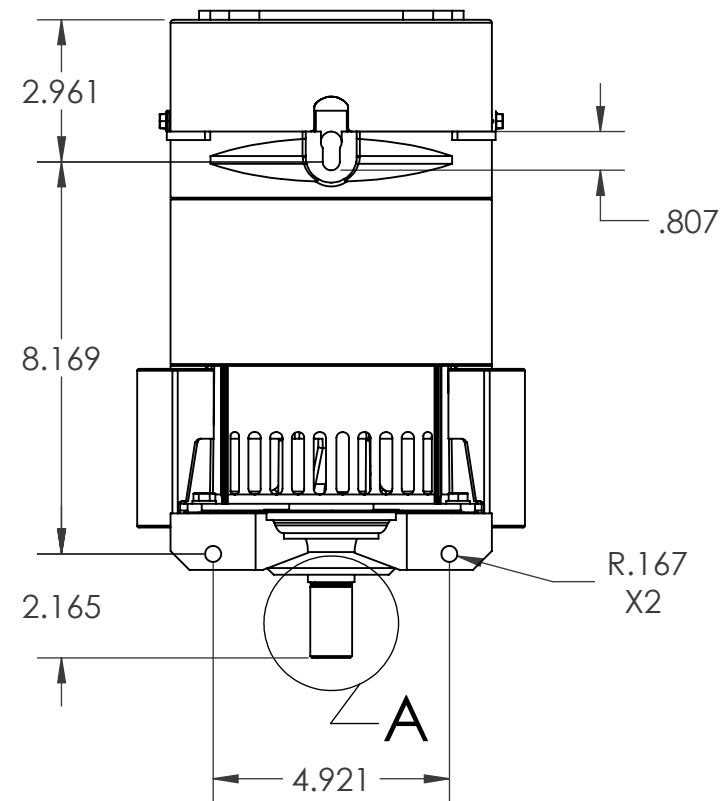
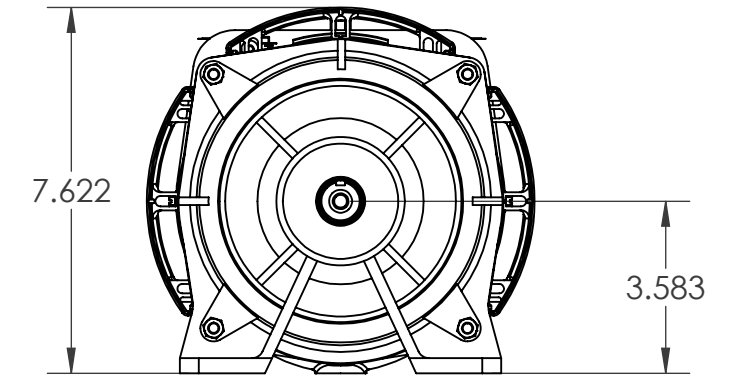
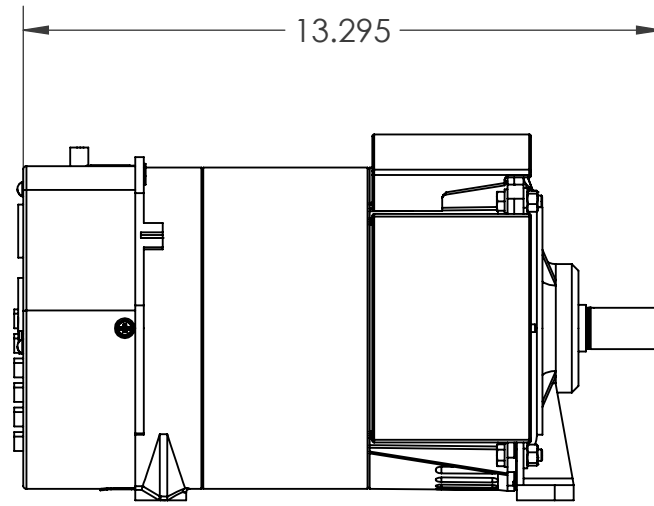
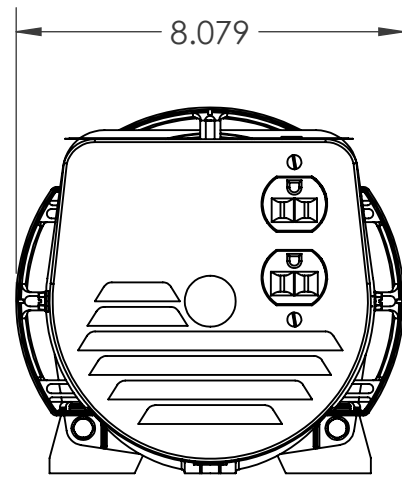


O-523

REVISIONS					
REV.	IRN	DESCRIPTION	DATE	BY	APP'D
A	TB2400	ORIGINAL	1/16/2018	FMJ	DRD



DETAIL A
SCALE 1 : 1

 THIS DRAWING CONTAINS PROPRIETARY INFORMATION BELONGING TO WINCO. UNAUTHORIZED USE IS PROHIBITED. ALL DIMENSIONS INCH	DRAWN BY	DATE	CHK'D BY	DATE	ENG APPR.	DATE
	FMJ	12/21/2017			DRD	1/16/18
	TOLERANCE:	+/- 0.0625 DECIMAL		TITLE: OUTLINE DRAWING		
		+/- 1 DEG ANGULAR				
	MODEL:	TB2400		PART:		O-523
					1 of 1	