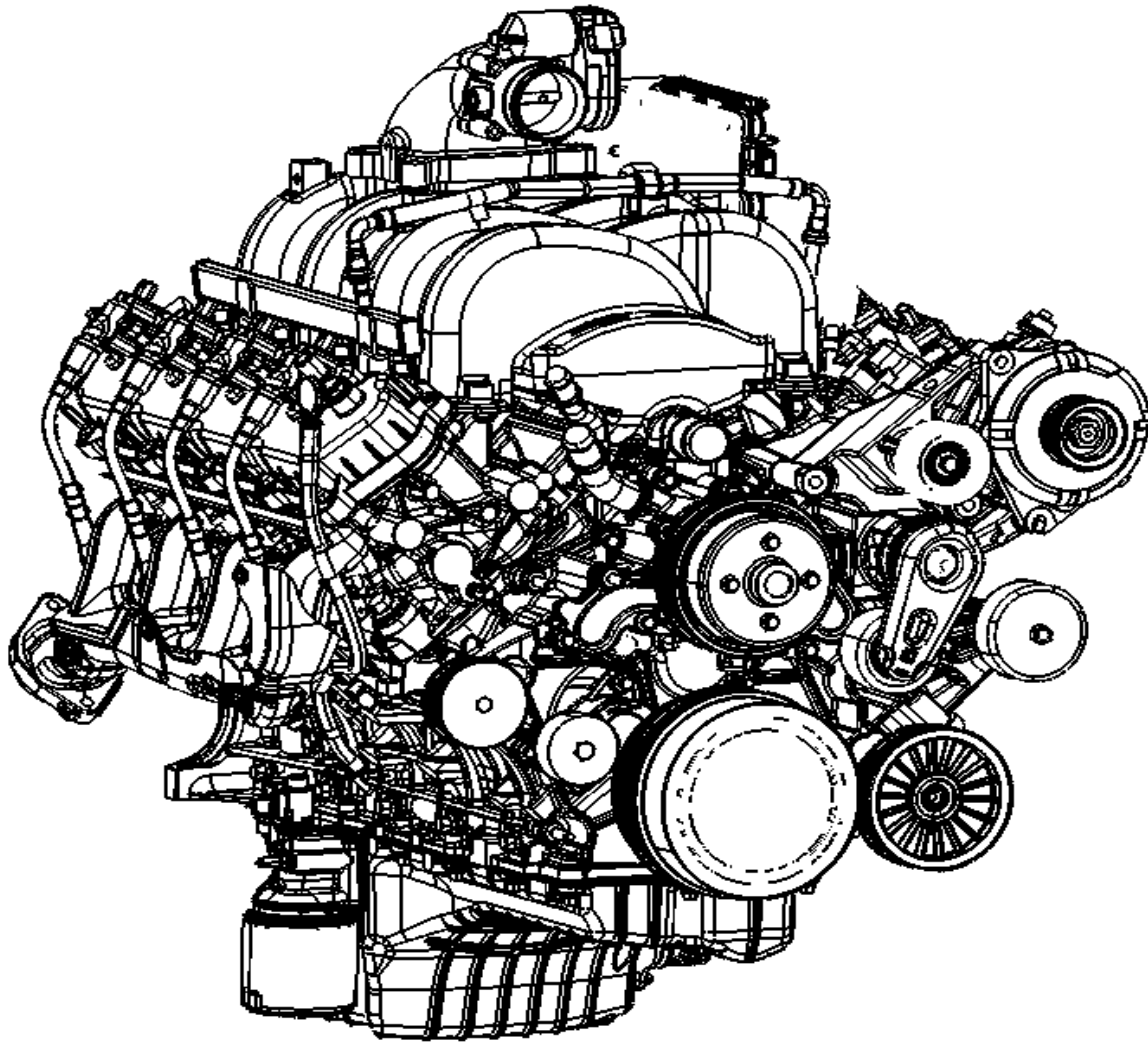




WSG873 Service Parts Manual



Part#: 1010210

Rev 2

10/5/2023

General Information

This catalog has been prepared to assist you, the owner, in identifying the correct replacement

Parts Information

Each listing contains base part number, part description and the quantity required to assist in indentifying and ordering the correct part.

NOTE: The descriptions and specifications contained in this manual were in effect at the time the book was released for printing. Engine Distributors, Inc. (EDI) reserves the right to discontinue models at any time, or change specifications or design, without notice and without

Reproduction in any manner, in whole or in part, is prohibited without the express permission in writing from Engine Distributors, Inc.

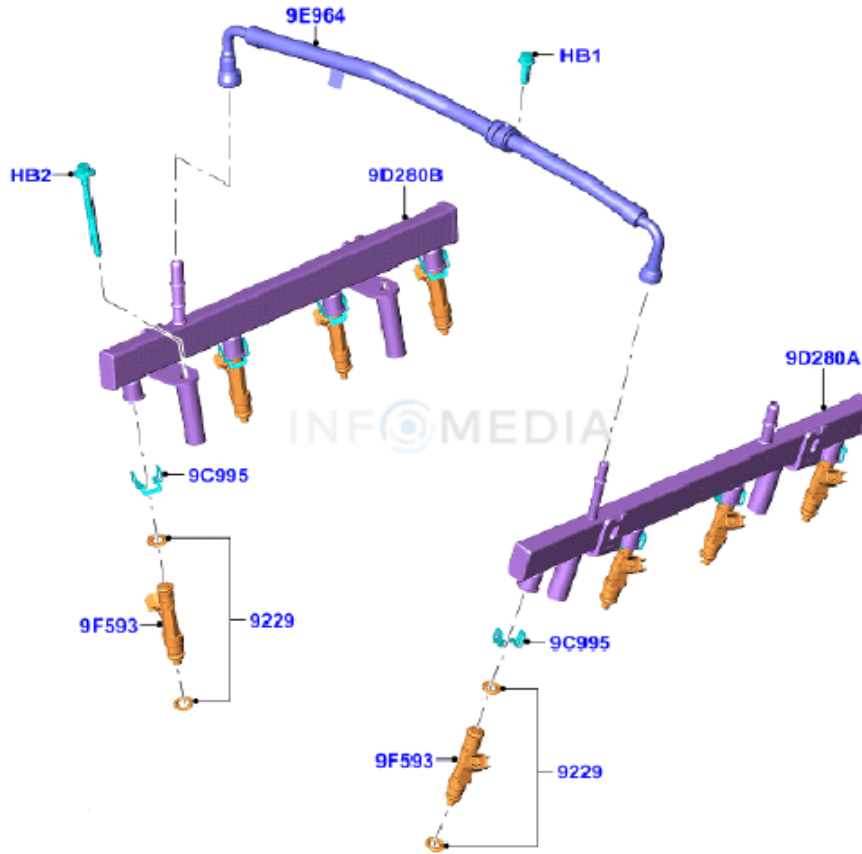


Engine Distributors Inc
400 University Ct.
Blackwood, NJ 08012
800-220-2700

INDEX

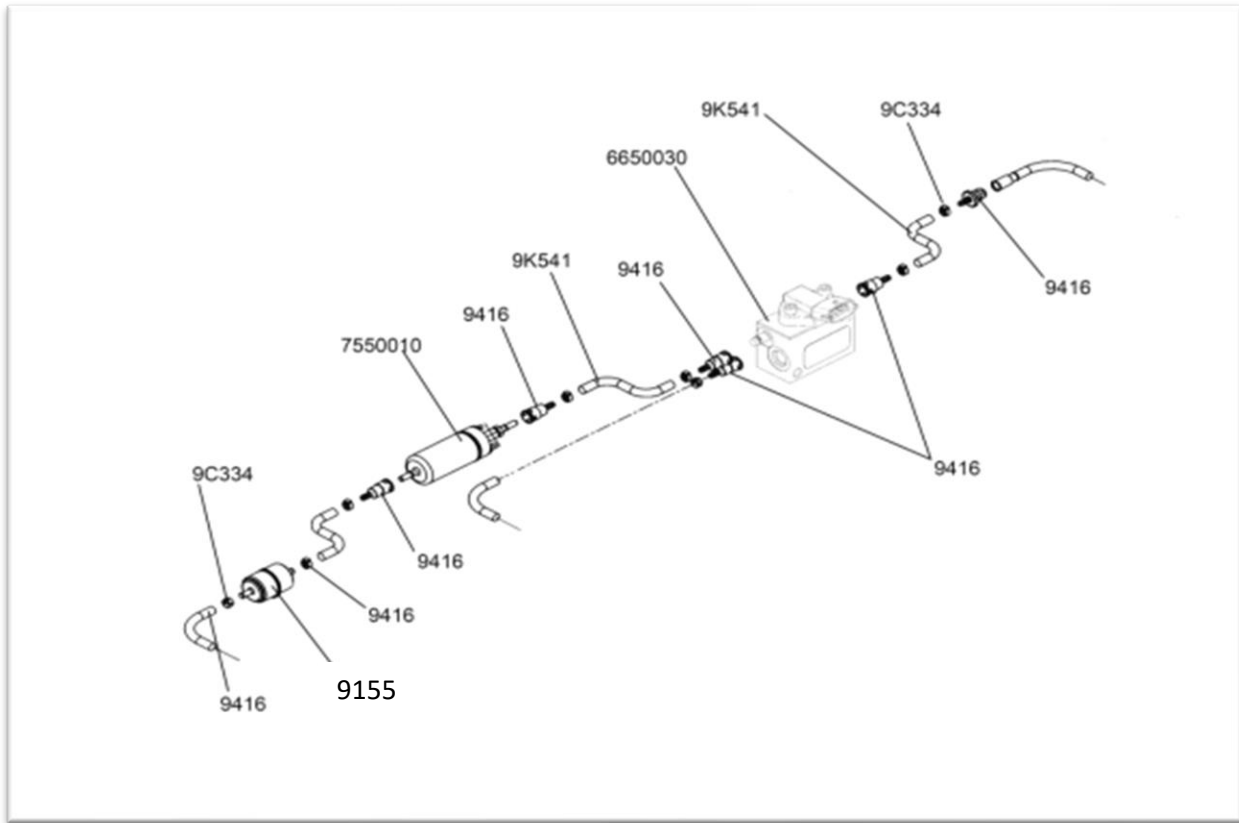
RSG862 Service Parts	Section	PAGE
<p>Fuel System Fuel Rail and Injectors, Fuel Pump, LPG and NG Mixers/Pressure Regulators, Lockoff Valves</p>	1	3
<p>Electrical System Starter, Alternator, Relays, and Wiring Harnesses</p>	2	9
<p>Exhaust Catalyst Muffler, Manifold</p>	3	12
<p>Intake Manifold, Bosch Governor, Throttle Adapter</p>	4	13
<p>FEAD Tensioner, Pulleys</p>	5	14
<p>Flywheel and Housings Flatface Flywheel, SAE Flywheel and Housing</p>	6	16
<p>Cooling System Thermostat, Water Pump, Coolant Outlet and Tube, Radiator Packages</p>	7	17
<p>Oil System Filter, Oil Pan, Pickup, Pump and Chain</p>	8	19
<p>Base Engine Camshafts, Valve Cover, Crankshaft and Bearings, Cylinder Head, Crankcase Ventilation, Pistons, Timing Chain and Gears, Front Cover</p>	9	22
<p>Miscellaneous Optional Add-ons</p>	10	31
<p>Manual & Labels</p>	11	33

Gasoline Fuel Rail and Injectors



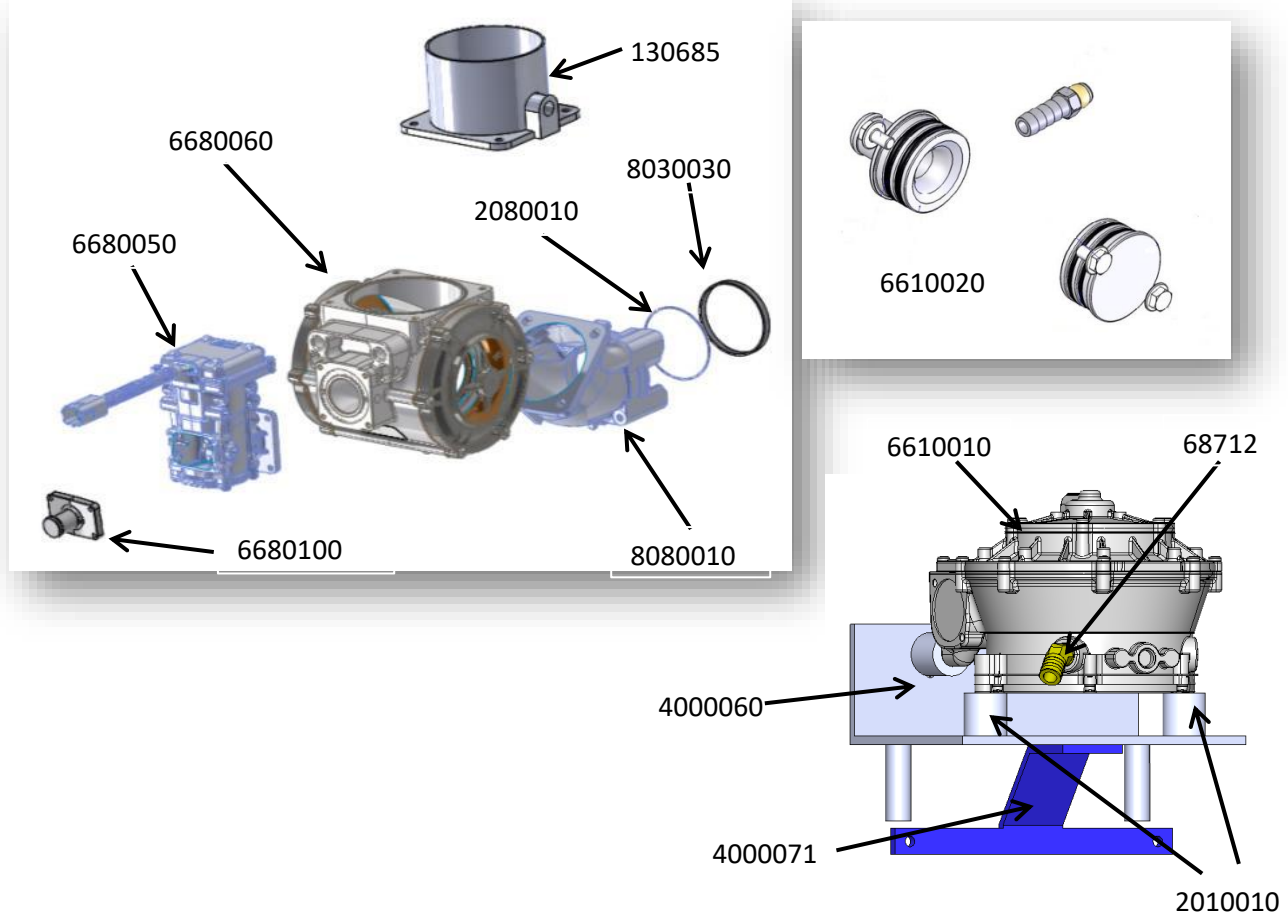
Quantity	Description	Part #	Notes
8	Fuel Injector (9F953)	LC3Z-9F953-A	Motorcraft #: CM-5315
8	Fuel Injector Retainer (9C995)	9L3Z-9C995-A	
1	Fuel Rail LH (9D280A)	LC3Z-9D280-B	
1	Fuel Rail RH (9D280B)	LC3Z-9D280-A	
1	Crossover Pipe (9E964)	LC3Z-9E964-A	
A/R	Injector Seals (9229)	FOPZ-9229-A	Motorcraft #: CM-4717
1	Bolt (HB1)	W720396-S450B	M6 x 21mm
4	Bolt (HB2)	W720407-S450	M6 x 79mm
1	Fuel Injector Harness (not shown)	5210150	

Gasoline Fuel Pump, Block, and Lines



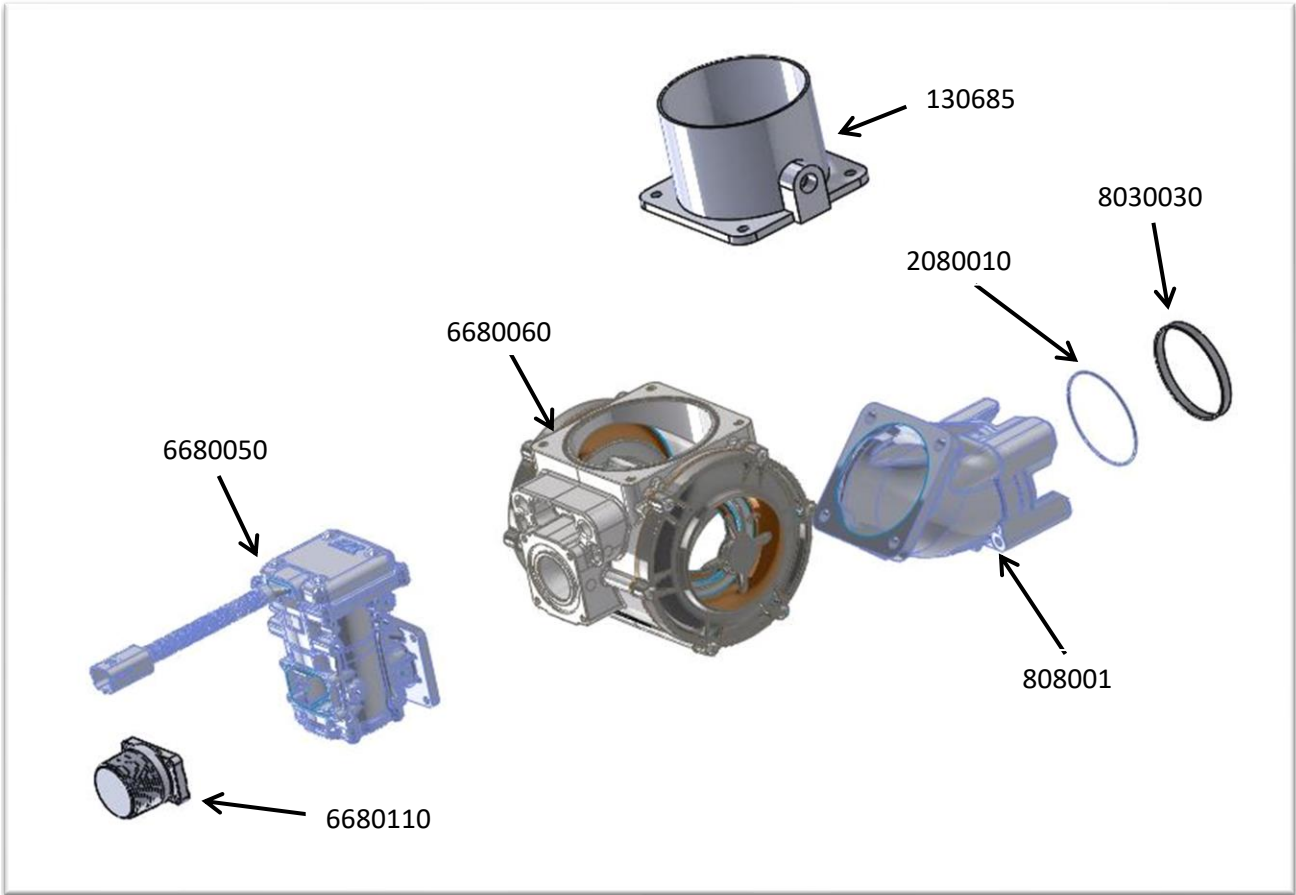
Quantity	Description	Part #
1	Gasoline Fuel Pump	7550010
1	Gasoline Fuel Block	6650030
2	Fuel Block Fitting - SAE 6	2050040
1	Fuel Block Fitting - SAE 3	2050050
1	Fuel Pump Fitting - M10	2050030
1	Fuel Pump Fitting Washer	1118659
1	Fuel Filter	F89Z-9155-A
1	Fuel Pump Mounting Clamp	6660020
8	Fuel Line Clamps	F8JL-9C334-AA
8	Fuel Clips (Quick Disconnects)	F68A-9416-BA
A/R	Fuel Line	6590010

LPG Fuel System; Mixer, DEPR, Vapor Regulator



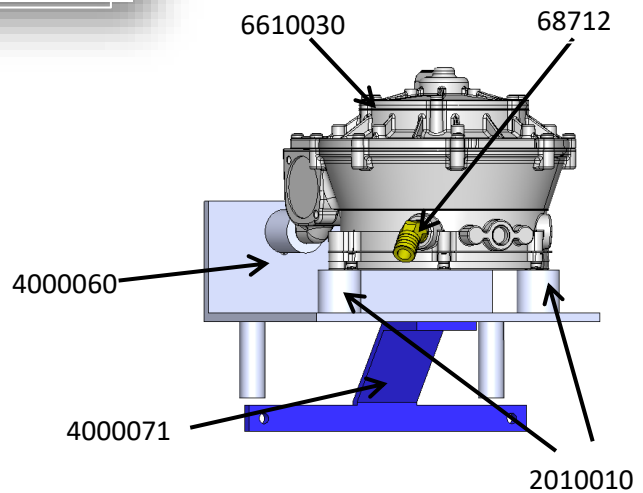
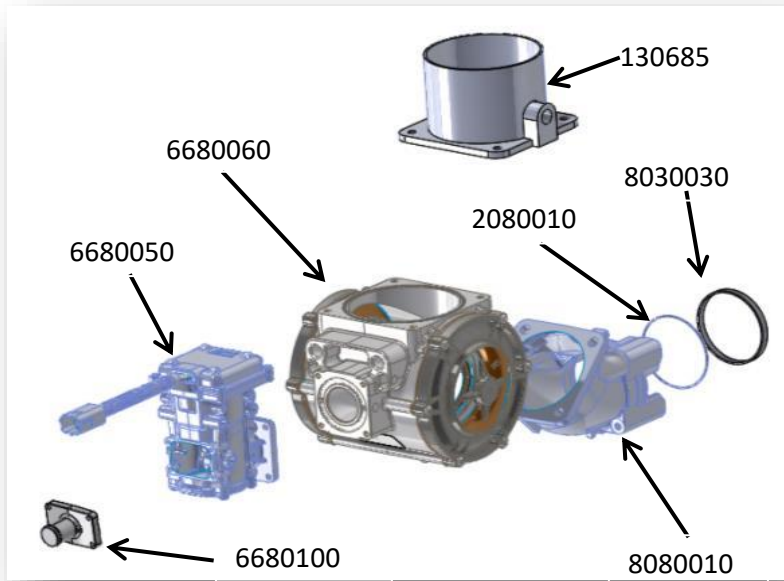
Quantity	Description	Part #
1	LP/NG Mixer	6680060
1	Mixer to Governor Adapter	8080010
1	Mixer to Governor Adapter flat, spacer	8030030
1	Mixer to Governor Adapter o-ring smooth	2080010
1	LPG Vapor Regulator	6610010
1	Vapor Regulator Fuel Outlet Fitting	6610020
1	Vapor Regulator Coolant Fitting 45°	68712
1	Vapor Regulator Coolant Fitting 90°	69948
1	Direct Electronic Pressure Regulator (DEPR)	6680050
1	DEPR Straight Fitting - 3/4" Barb	6680100
A/R	Vapor Hose	VH34
2	Mixer Diaphragm Replacement Kit	6610040
2	LPG Vapor Regulator Coolant Hose	F8JL-18472-AA
1	Vapor Regulator Mounting Bracket	4000060
1	Mounting Bracket Support	4000071
4	Vapor Regulator Isolators	2010010
1	Air Horn straight (pictured)	130685
1	Air Horn 45°	E1-7

Low Pressure NG Fuel System



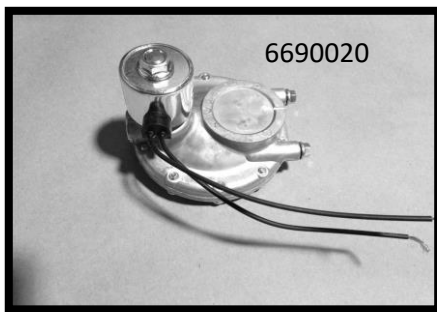
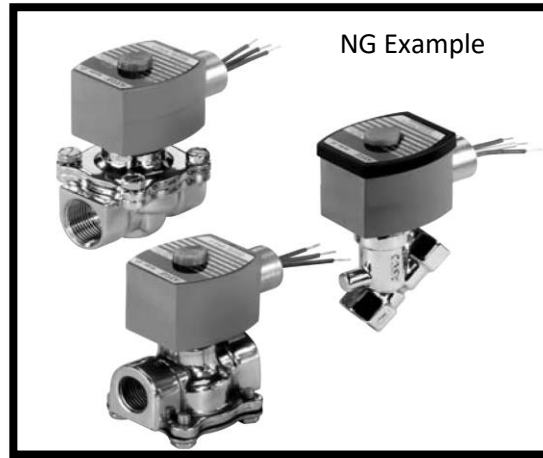
Quantity	Description	Part #
1	LP/NG Mixer	6680060
1	Mixer to Governor Adapter	8080010
1	Mixer to Governor Adapter flat, spacer	8030030
1	Mixer to Governor Adapter o-ring smooth	2080010
1	Direct Electronic Pressure Regulator (DEPR)	6680050
1	DEPR Straight Fitting 1-1/4"	6680110
2	Mixer Diaphragm Replacement Kit	6610040
1	Mixer Air horn straight (pictured)	130685
1	Mixer Air Horn 45°	E1-7

CNG Fuel System; Mixer, DEPR, Vapor Regulator



Quantity	Description	Part #
1	LP/NG Mixer	6680060
1	Mixer to Governor Adapter	8080010
1	Mixer to Governor Adapter flat, spacer	8030030
1	Mixer to Governor Adapter o-ring smooth	2080010
1	CNG Vapor Regulator	6610030
1	Vapor Regulator Fuel Outlet Fitting	6610020
2	Vapor Regulator Coolant Fitting	68712
1	Direct Electronic Pressure Regulator (DEPR)	6680050
1	DEPR Straight Fitting - 3/4" Barb	6680100
1	Vapor Regulator Mounting Bracket	4070120
1	Mounting Bracket Support	4070121
4	Vapor Regulator Isolators (2 pictured)	2010010
A/R	Vapor Hose	VH34
2	Mixer Diaphragm Replacement Kit	6610040

Lockoff Valves

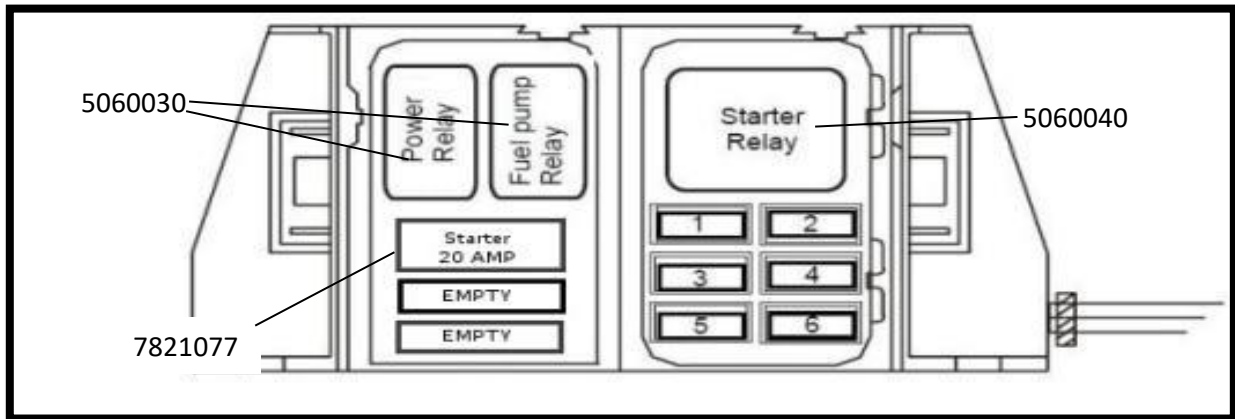
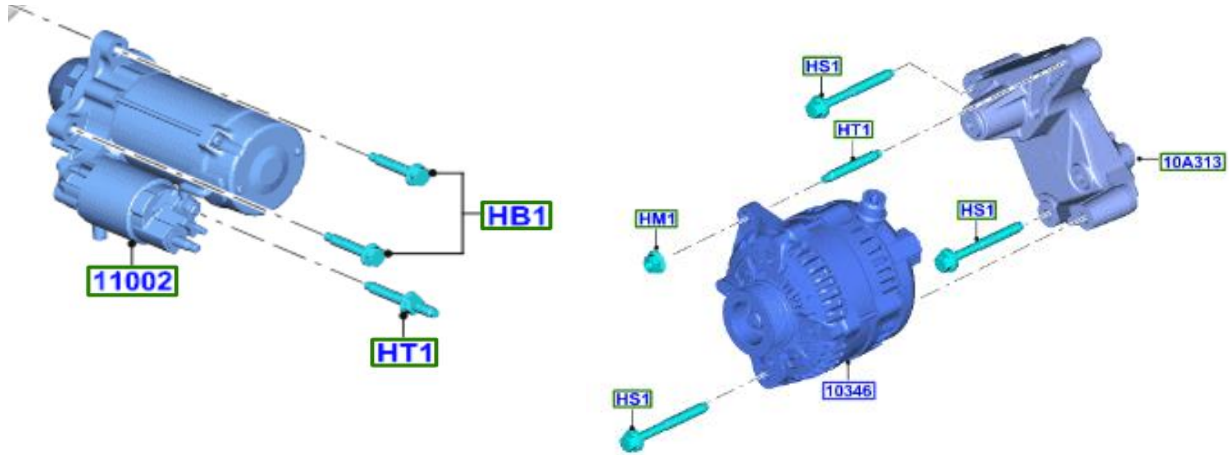


Quantity	Description	Part #
1	12V LPG Shutoff valve	6690020
1	12V LPG Shutoff Valve 90 deg	N301641
1	12V NG Shutoff valve - 1-1/4" NPT	8214G261
1	12V LPG Shutoff Valve w/ filter	6690020

Lock Off Accessories

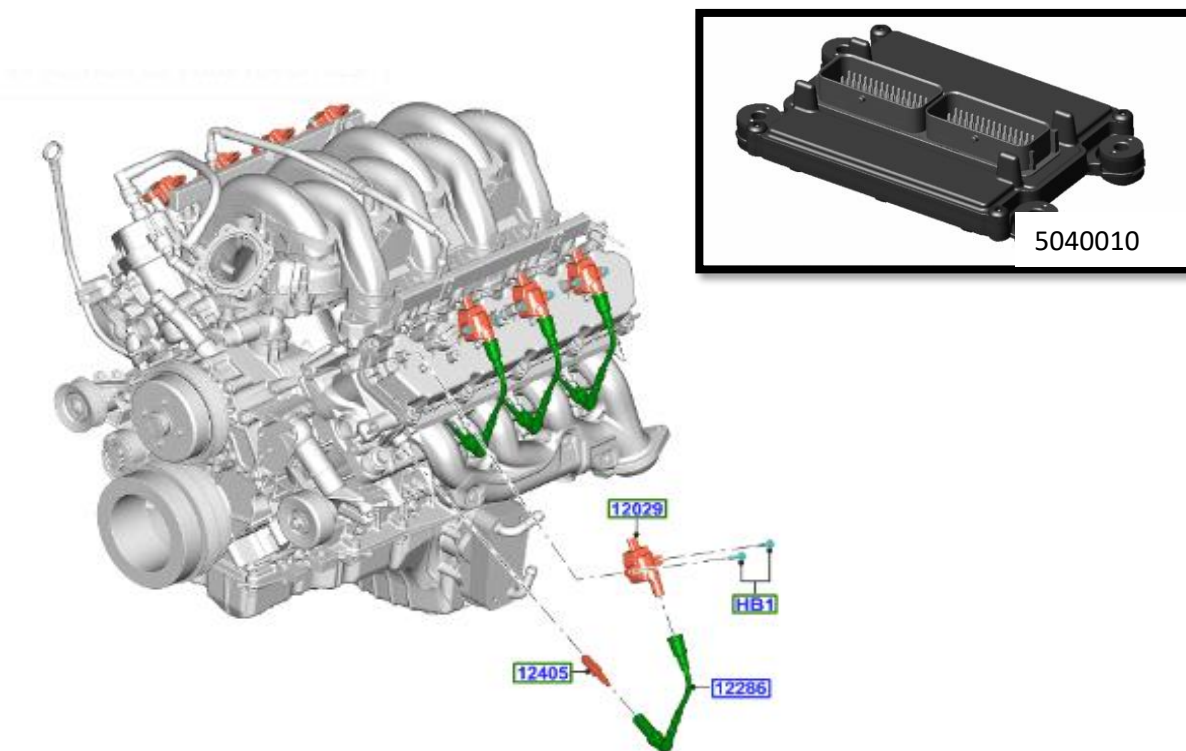
1	6690020 Filter Replacement	6630030
1	Shutoff Valve Connector kit	5010030A

Starter, Charging System, and Relays



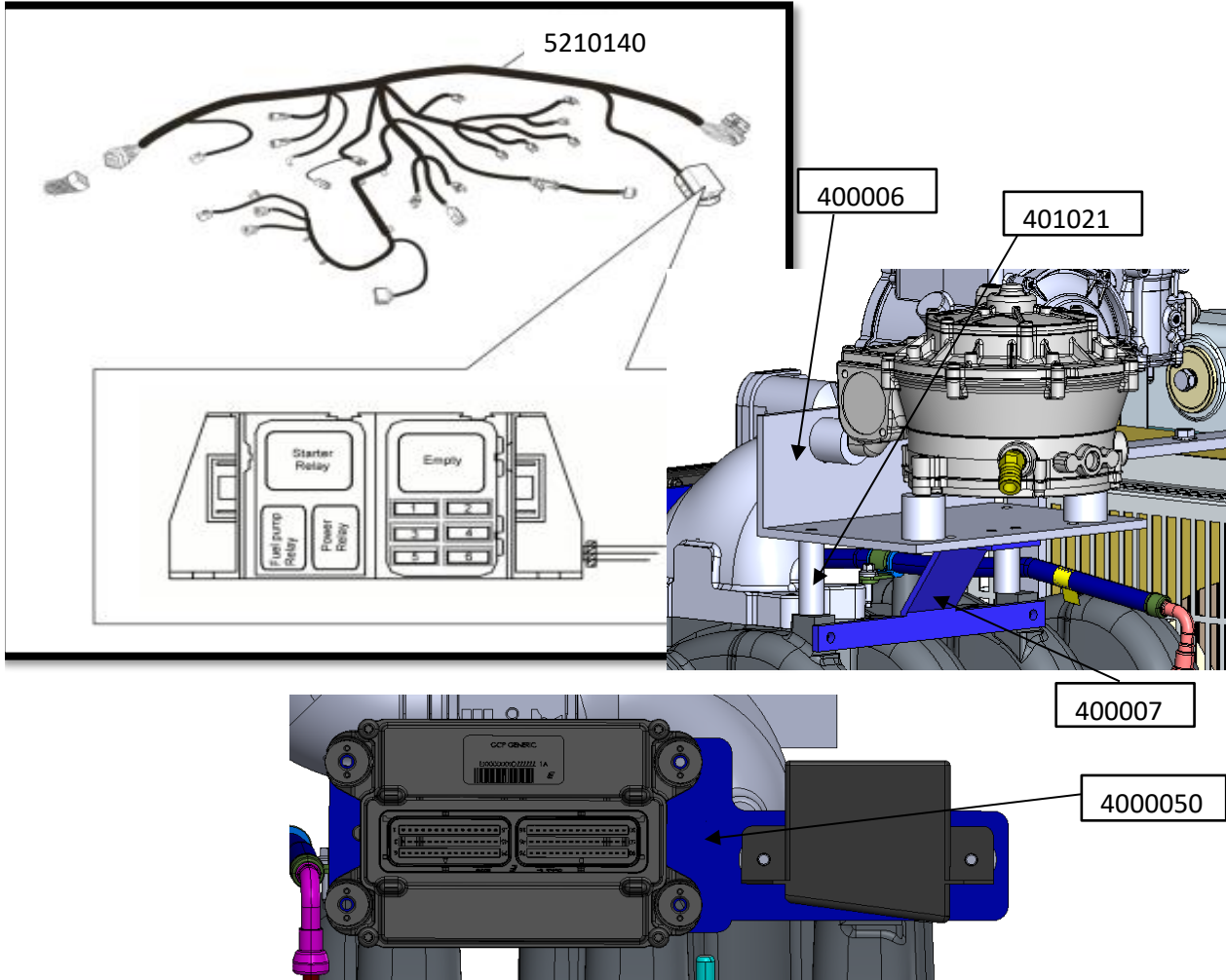
Quantity	Description	Part #
1	Starter (11002)	5120010
1	Alternator (10346)	LC4Z-10346-A (MC #: GL-8980)
1	Alternator Bracket (10A313)	LC3Z-10A313-A
4	Alternator Mounting Screw (HS1)	W715092-S437 (M10 X 90MM)
1	Alternator Mounting Stud (HT1)	W712609-S437 (M10 X 19.8MM + M10 X 33.3MM)
1	Alternator Nut (HM1)	W520414-S440 (M10 Nut)
2	Fuel Pump and Power Relays	5060030
1	Starter Relay	5060040
1	Relay Box Top	5210010
1	Relay Box Top Sticker	5210020
1	Fuse Box Mount, right	5210040
1	Fuse box mount, left	5210050
1	Starter Fuse 20 AMP	7821077

Ignition and Engine Control



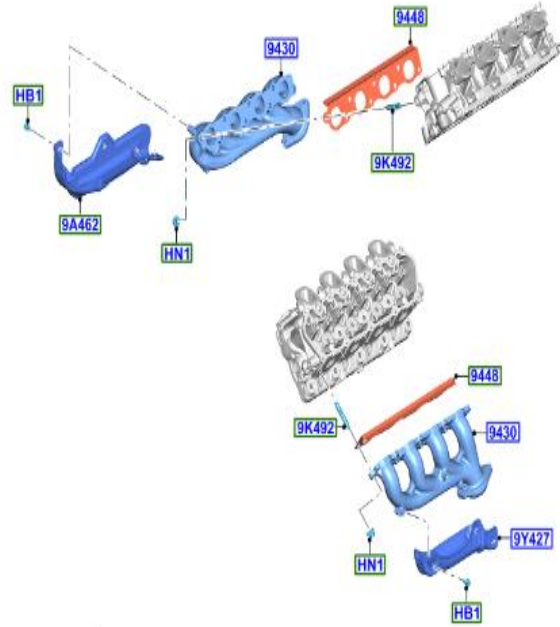
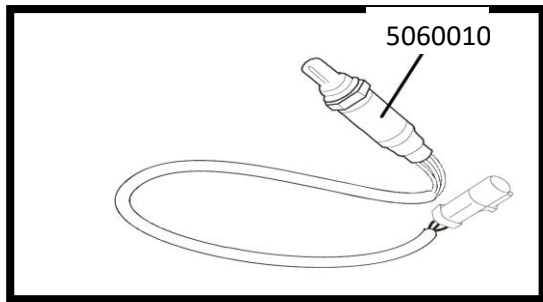
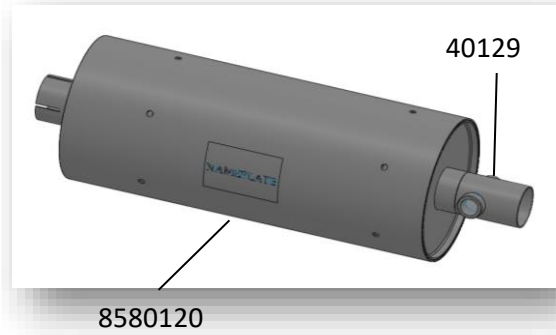
Quantity	Description	Part #
1	ECU (4G)	5040010
8	Coil Packs	LC3Z-12029-A (MC#: DG-581)
8	Ignition Wire Assembly	LC3Z-12286-B (MC#: WR-6164)
8	Ignition Wire Assembly (High Heat)	LC3Z-12286-C (MC#: WR-6167)
A/R	Ignition Coil Mounting Bolt (HB1)	W714507-S437 (M5 X 27MM)
8	Spark Plug (12405)	CYFS-12Y-T6

Harnesses and Misc.



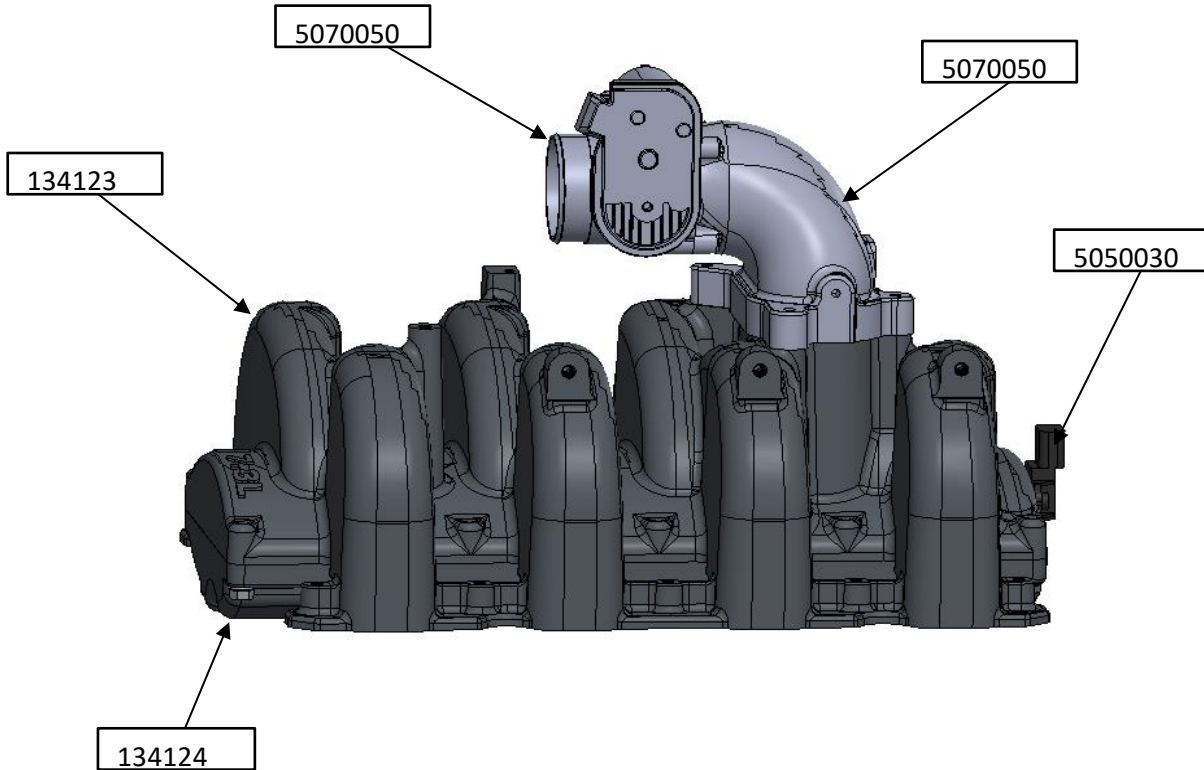
Quantity	Description	Part #
1	Engine Harness	5210140
1	Gasoline Fuel Block Harness	5260010
1	Fuel Injector Harness	5210150
2	Fuse box isolators	50959-5
1	ECU - Fusebox Bracket	4000050
1	LPG Vapor Regulator Bracket	4000060
1	Support Bracket for 4000060	4000071
2	Vapor Regulator Bracket Spacer	4010211
1	GCP Connector Slide Lock	5240030
1	GCP Connector Cover	5240020
1	Diagnostic Software and Cable	5080050
1	Alternator Charge Cable	5070090

Exhaust System Components



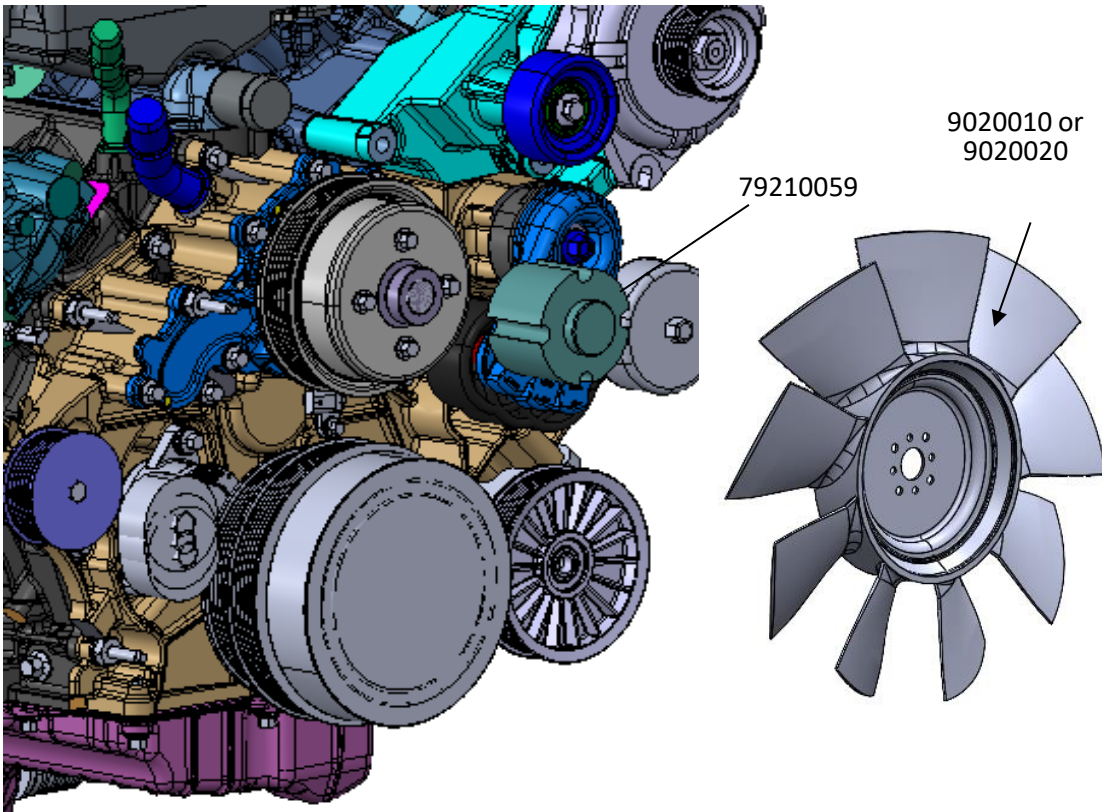
Quantity	Description	Part #
1	Catalyst Muffler	8580120
1	Cat Muffler O2 Plug (M18)	40129
1	R.H. Exhaust Manifold (9430)	LC2Z-9430-A
1	L.H. Exhaust Manifold (9430)	LC2Z-9431-A
1	R.H. Exhaust Manifold Heat Shield (9A462)	LC2Z-9A462-A
1	L.H. Exhaust Manifold Heat Shield (9A427)	LC3Z-9Y427-C
2	Exhaust Manifold gasket (9448)	LC2Z-9448-A
7	Heat Shield Mounting Bolts (HB1)	W716090-S437
16	Manifold Mounting Studs (9K492)	LC3Z-9K492-A
16	Manifold Mounting Nuts (HN1)	W714870-S430
2	Exhaust O2 Sensor (pre and post catalyst)	5060010
1	Pre-Cat Sensor Pipe Bung	F5AC9J467CA
1	Y-Pipe	8500040
4	Y-Pipe to Manifold Studs	W705374-S901
4	Y-Pipe to Manifold Nuts	W705443-S900

Intake Air System



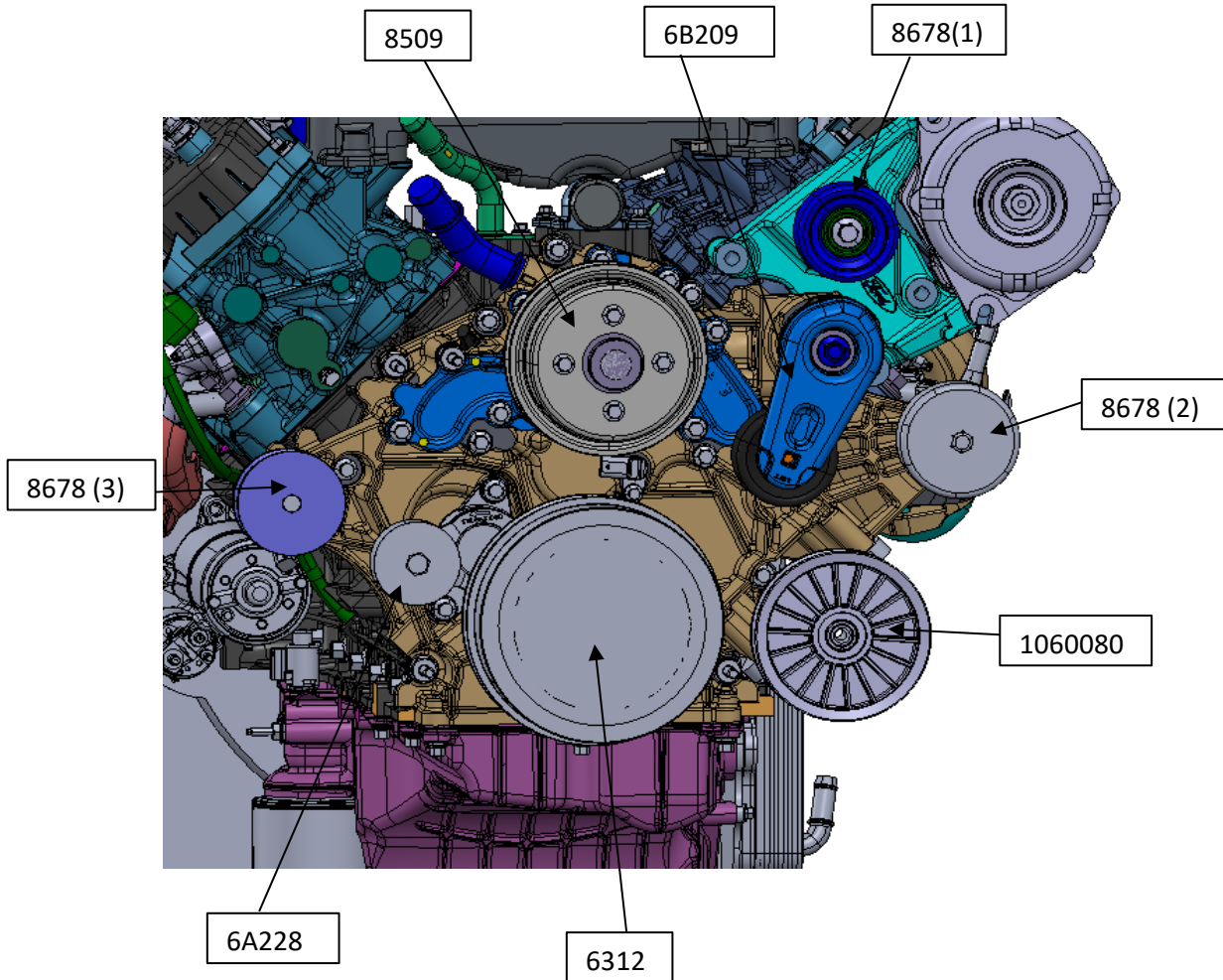
Quantity	Description	Part #
1	Bosch Governor	5070050
1	Bosch Governor Gasket	1U1L-9E936-BA
1	Intake Manifold (Upper)	134123
1	Intake Manifold (Lower)	134124
10	Lower to Upper Intake Manifold Bolts (M6x25MM)	11115718
10	Intake Manifold to Head Bolts (M6x41MM)	5F2Z-9Y450-A
1	Intake Gasket (Upper to Lower)	6200021
8	Intake Gasket (Intake to Head)	LC3Z-9439-A
1	TMAP Sensor	5050030
1	Intake to Throttle Elbow	908102

Cooling Fan Drive and Pulleys



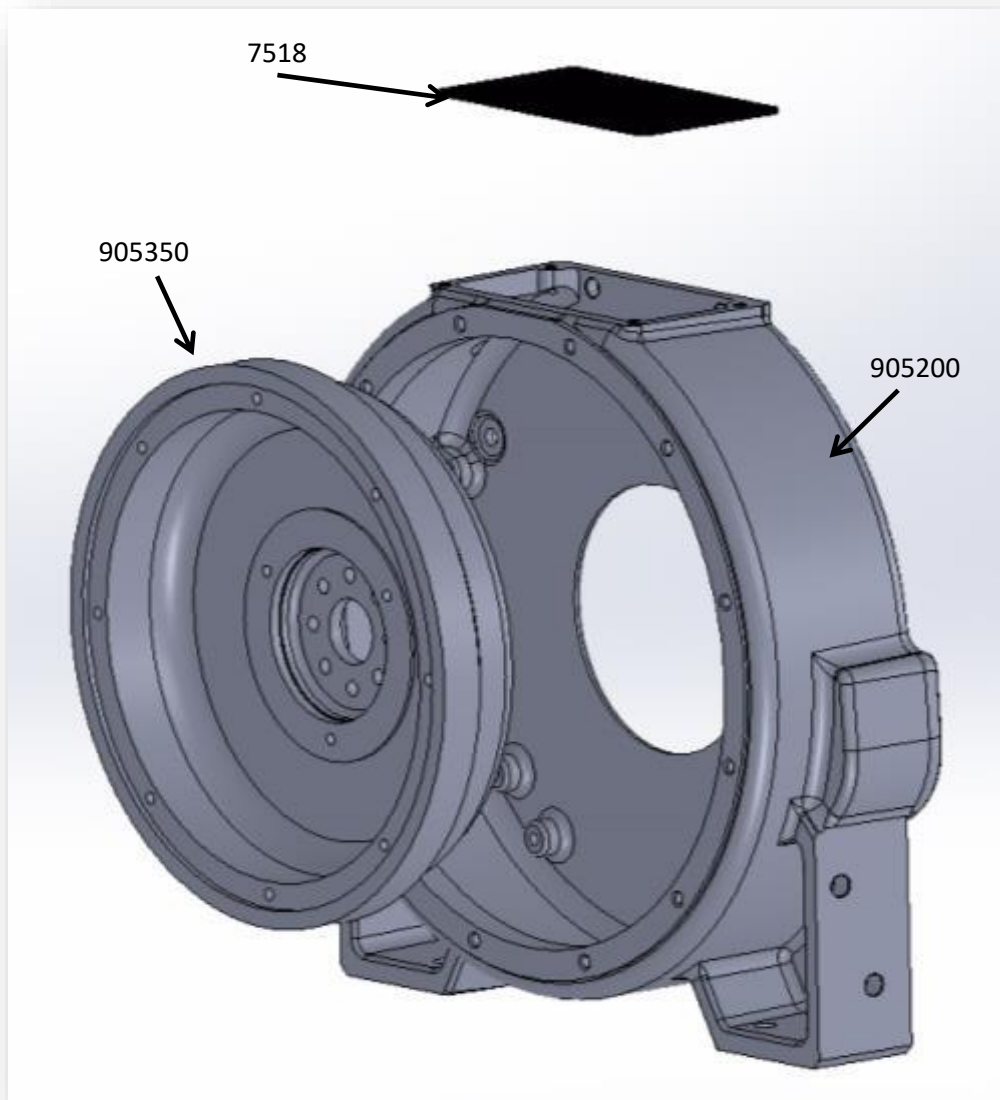
Quantity	Description	Part #
1	Fan Spacer	79210059
1	22" Pusher Fan	9020010
1	22" Suction Fan	9020020

FEAD



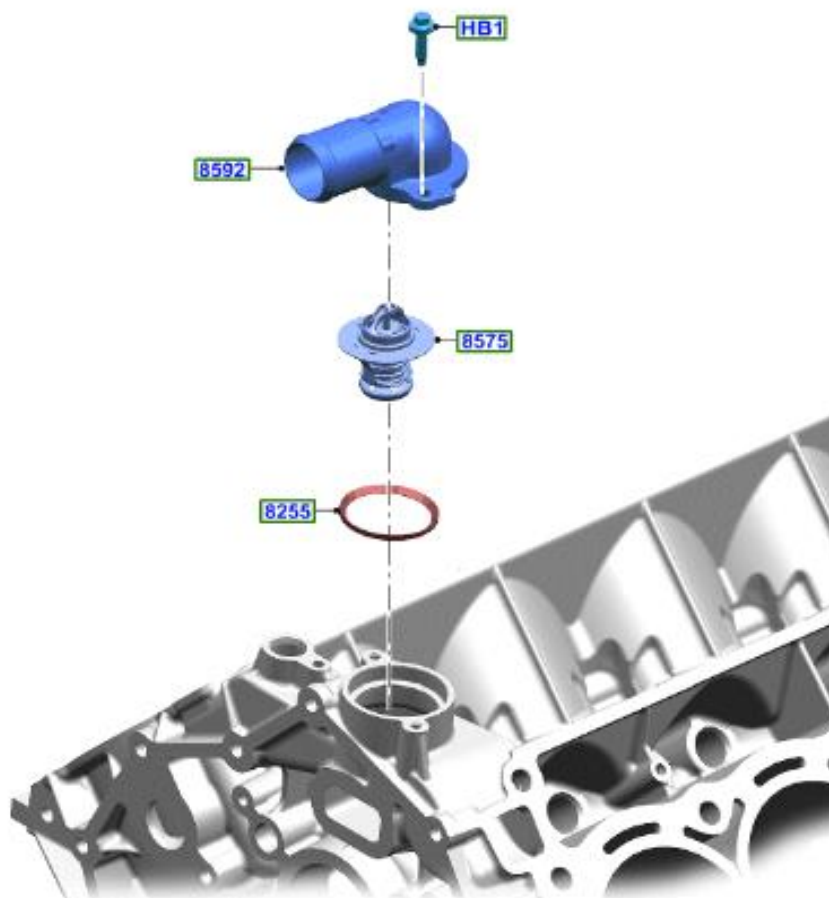
Quantity	Description	Part #
1	Main Drive Belt	K060790
1	Smooth Idler Pulley (1)	LC3Z-8678-C
1	Tensioner	KR3Z-6B209-A
1	Smooth Idler Pulley (2)	LC3Z-8678-B
1	Grooved Idler Pulley (3)	LC3Z-8678-A
1	Grooved Idler Pulley	1060080
1	Tensioner	LC3Z-6A228-A
2	Tensioner (6A228) Bolts M8 x 33MM	W713261-S437
1	Water Pump Pulley	LC3Z-8509-B
1	Crank Dampener	LC3Z-6312-B
1	Crank Dampener Bolt	LC3Z-6A340-A

Flywheel and Housings



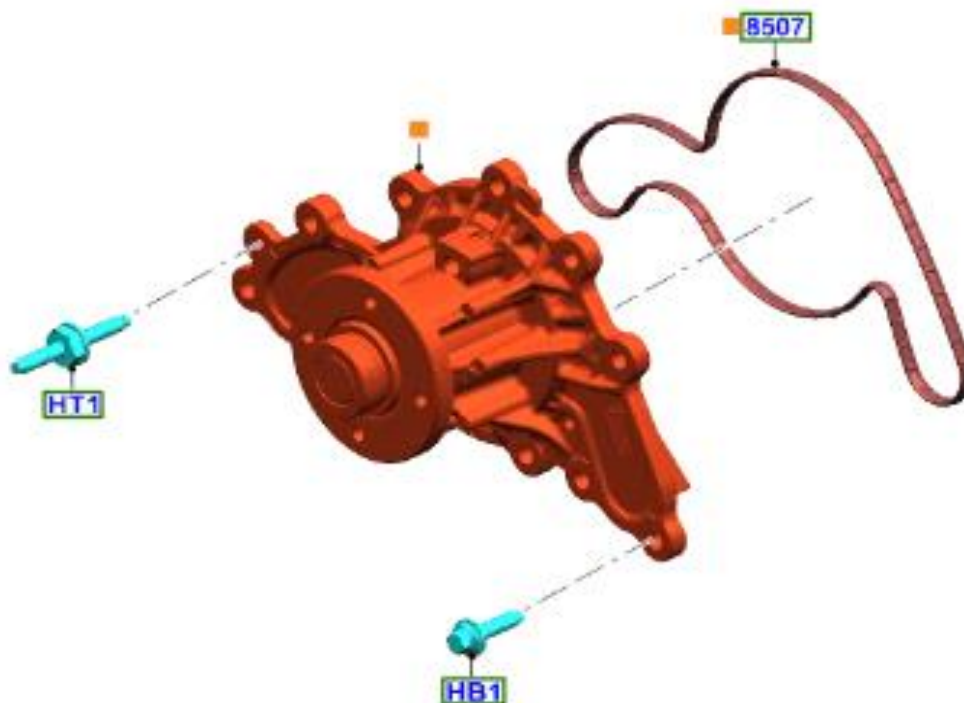
Quantity	Description	Part #
1	SAE 3 Housing	905201
1	SAE 11.5" Flywheel	905350
8	SAE 11.5" Flywheel to crank Bolts	F6ZZ-6379-AA
1	Inspection Cover	C5JZ-7518-A

Thermostat Assembly



Quantity	Description	Part #
1	Thermostat housing (8592)	LC3Z-8592-A
1	Thermostat (8575)	LC3Z-8575-A
1	Thermostat Gasket (8255)	F1VY-8255-A
1	Bolt M6 x 22MM (HB1)	W503276-S437
1	Coolant Cap 3/4"	F8JL-8A500-BA
1	Coolant Cap 5/8"	F8JL-8A500-AA

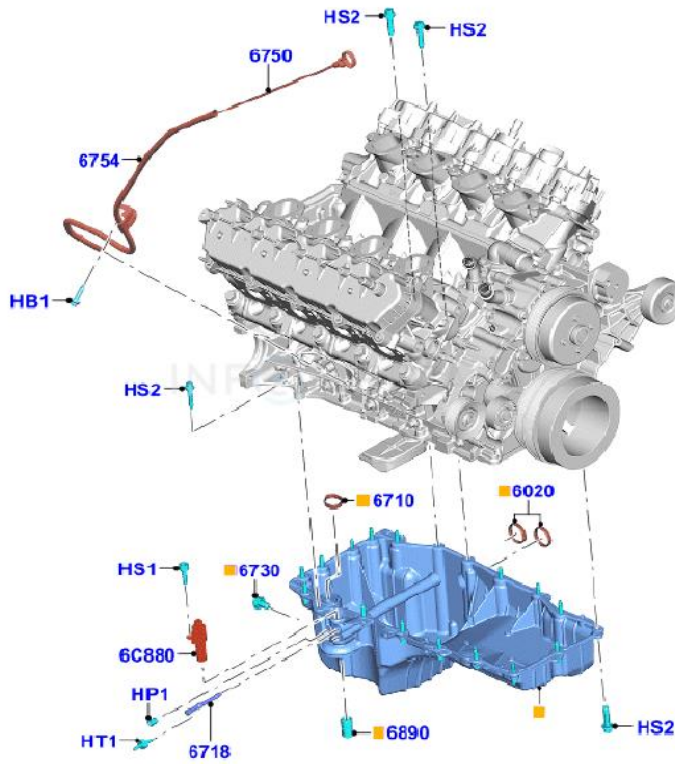
Water Pump Assembly



Quantity	Description	Part #
1	Water Pump Assembly (■)	LC3Z-8501-A
1	Water Pump Gasket (8507)	LC3Z-8507-A
9	Bolt M8 x 40MM (HB1)	W503276-S437
1	Stud, M8 x 33MM + M8 x 27MM	W713461-S437

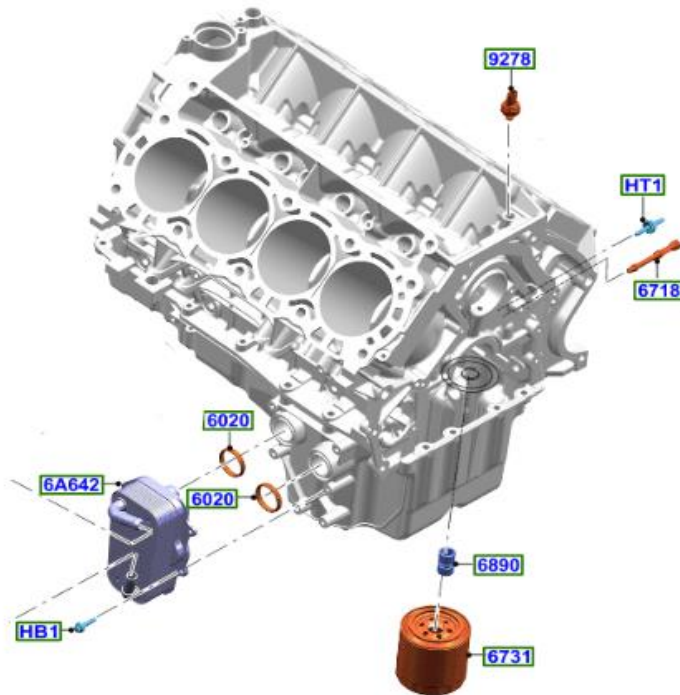
Oil Pan, Plug and Dipstick

■ = 6675



Quantity	Description	Part #	Notes
1	Oil Pan (6675)	LC3Z-6675-A	
1	Oil Pan Gasket (6710)	LC3Z-6710-A	
1	Oil drain plug (6730)	EJ7Z-6730-A	M12 - 1.75
1	Oil Indicator Standard (6750)	LU9Z-6750-B	
1	Oil Indicator Tube (6754)	LC4Z-6754-A	
2	Oil Cooler Gasket (6020)	LC3Z-6020-A	
1	Solenoid Assembly (6C880)	JT4Z-6C880-A	
1	Threaded Bush (6890)	AL3Z-6890-A	
1	Tube (6718)	LC3Z-6N867-C	
1	BOLT, M6 X 25MM (HB1)	W503277-S437	
1	PLUG, M8 (HP1)	W528200-S437	
1	SCREW, M6 X 25MM (HS1)	W719827-S437	
1	SCREW, M8 X 35MM (HS2)	W719845-S450	
1	STUD (HT1)	W721019-S450	
***8 Quarts refill of 5W-30			

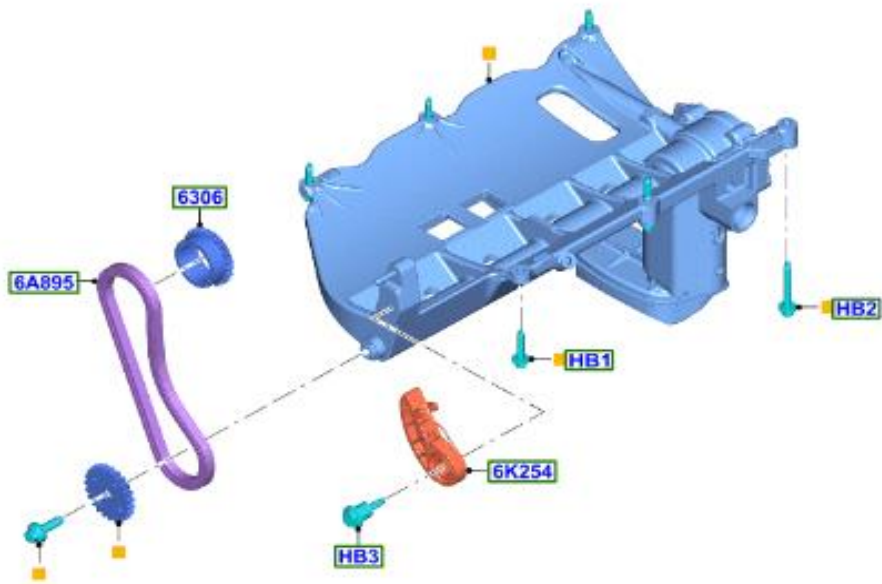
Oil Cooler and Filter



Quantity	Description	Part #	Notes
1	Oil Filter (6731)	F1AZ-6731-BD	MC #: FL-820-S
1	Oil Switch (9278)	GN1Z-9D290-C	
1	Oil Cooler (6A642)	LC3Z-6A642-A	
2	Oil Cooler Gasket (6020)	LC3Z-6020-A	
1	Threaded Bush (6890)	AL3Z-6890-A	
1	Tube (6718)	LC3Z-6N867-C	
1	Stud (HT1)	W721019-S450	
5	BOLT, M6 X 25MM (HB1)	W503277-S437	
***8 Quarts refill of 5W-30			

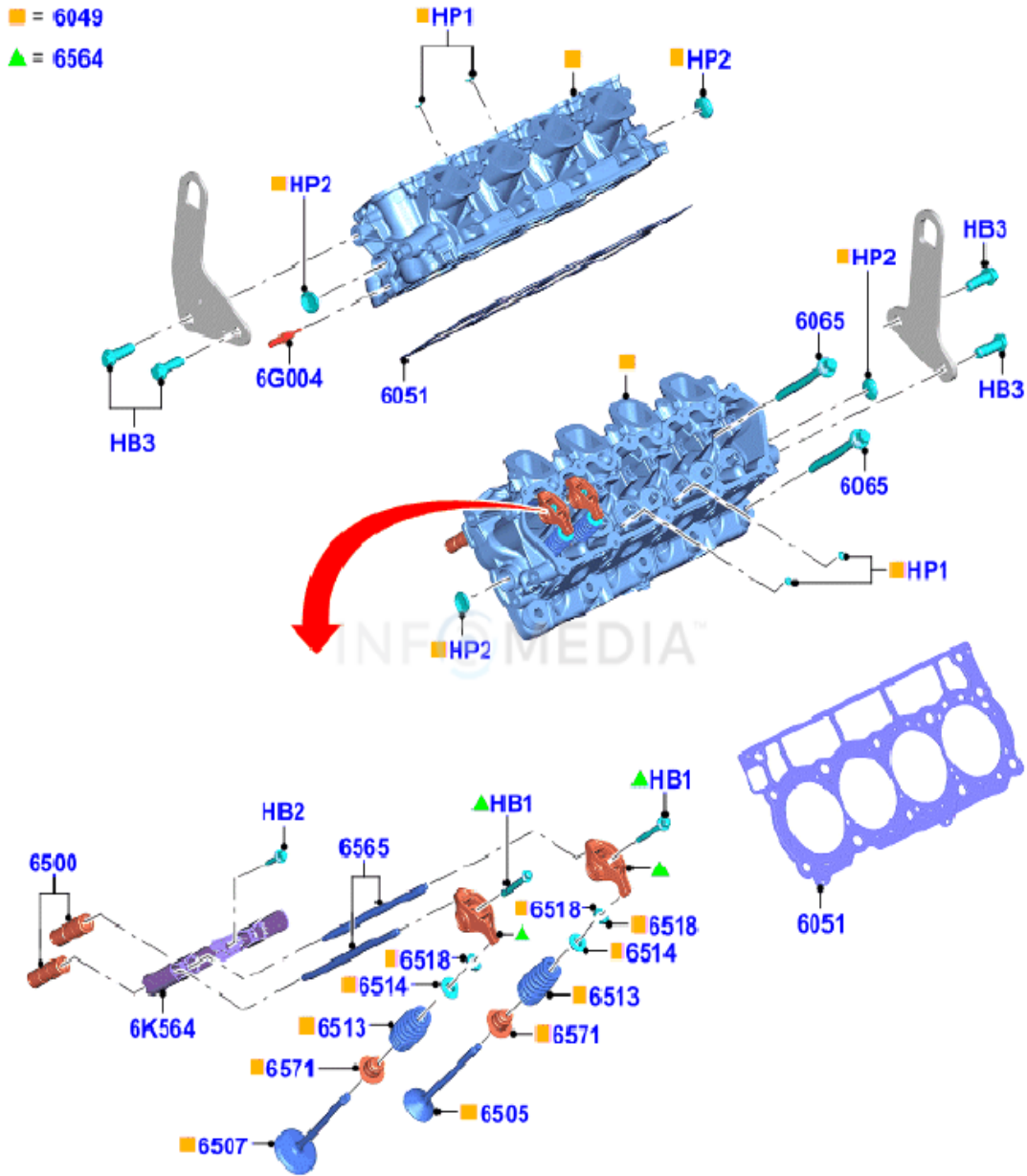
Oil Pump Assembly

■ = 6600



Quantity	Description	Part #
1	Oil Pump Assembly (6600)	LC3Z-6600-A
1	Tensioner - Timing Belt (6K254)	LC3Z-6K254-A
2	Gear - Crankshaft (6306)	LC3Z-6306-A
1	Oil Pump Drive - Chain Assembly (6A895)	LC3Z-6A895-A
4	BOLT, M6 X 27MM (HB1)	W503278-S437
2	BOLT, M6 X 45MM (HB2)	W503282-S437
1	BOLT (HB3)	LC3Z-00812-B

Base Engine Components

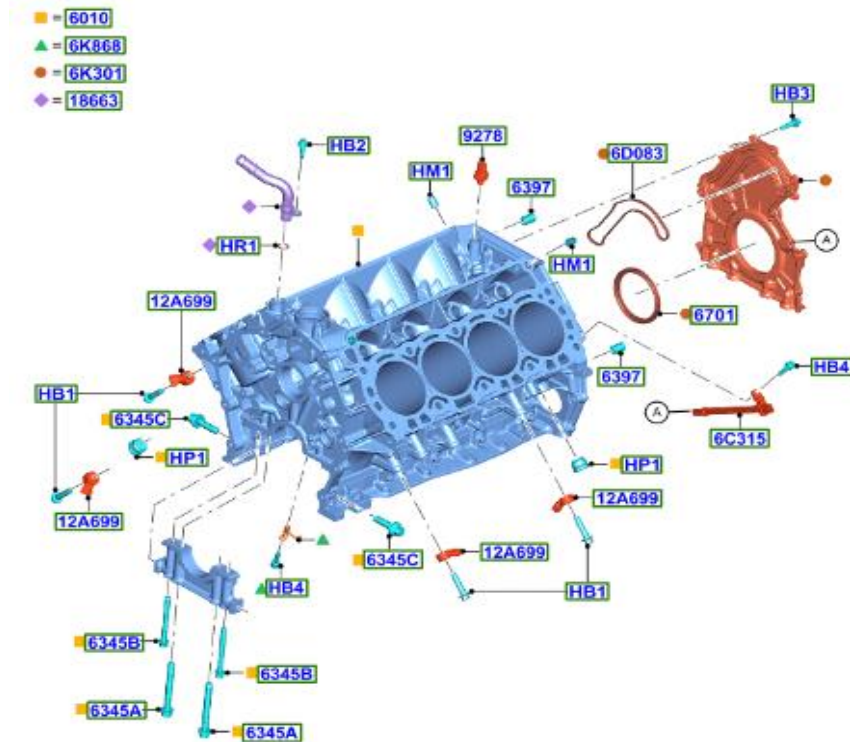


Parts listing on next page

Base Engine Components (cont.)

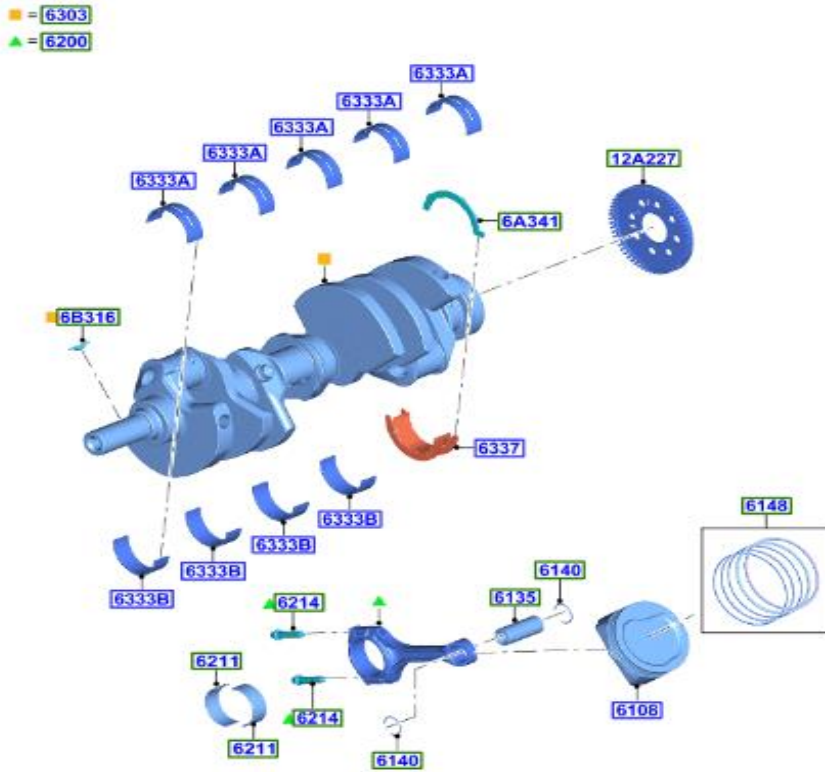
Quantity	Description	Part #	Notes
1	Cylinder Head Assembly RH (6049)	LC3Z-6049-C	
1	Cylinder Head Assembly LH (6049)	LC3Z-6049-D	
1	Cylinder Head Temperature Sensor (6G004)	GN1Z-6G004-A	
1	Cylinder Head Gasket RH (6051)	LC3Z-6051-G	
1	Cylinder Head Gasket LH (6051)	LC3Z-6051-H	
16	Valve Spring Retainer (6514)	AL3Z-6514-A	Sold as packs of 16
20	Cylinder Head Bolt (6065)	LC3Z-6065-A	
16	Tappet Assembly (6500)	LC3Z-6500-A	
8	Exhaust Valve (6505)	LC3Z-6505-B	
8	Intake Valve (6507)	LC3Z-6507-B	
8	Exhaust Valve Spring (6513)	LC3Z-6513-D	
8	Intake Valve Spring (6513)	LC3Z-6513-C	
32	Valve Spring Retainer Collet (6518)	AC3Z-6518-A	Sold as packs of 16
16	Rocker Arm Valve Assembly (6564)	LC3Z-6564-A	
4	Guide (6K564)	LC3Z-6K564-A	
16	Push Rod Valve (6565)	LC3Z-6565-A	
A/R	Stem Seal Valve (6571)	LC3Z-6571-A	
16	BOLT, M8 X 45MM (HB1)	LC3Z-00812-A	
A/R	BOLT, M6 X 25MM (HB2)	W500215-S437	
A/R	BOLT, M16 (HB3)	LC3Z-00812-C	
A/R	PLUG, 12MM Ø (HP1)	W528062-S300	
A/R	PLUG, 32MM (HP2)	W528090-S300	

Base Engine Components 2



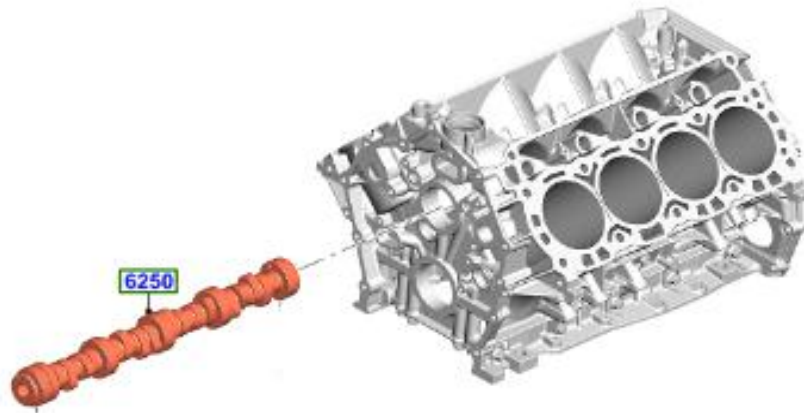
Quantity	Description	Part #	Notes
1	Cylinder Block (6010)	LC3Z-6010-A	
1	Gasket (6D083)	LC3Z-6D083-A	
1	Retainer and Seal Assembly (6K301)	LC3Z-6335-A	
1	Crankshaft Position Sensor (CPS) (6C315)	LC3Z-6C315-A	
10	Bearing End Cap Inner Bolts (6345A)	LC3Z-6345-A	
10	Bearing End Cap Outer Bolts (6345B)	LC3Z-6345-B	
10	Bearing End Cap Side Bolts (6345C)	AL3Z-6345-A	
A/R	Straight Dowel, Hollow 16MM (6397)	F2AZ-6397-A	
1	Seal (6701)	JR3Z-6701-A	
8	Piston Cooling Nozzle (6K868)	LC3Z-6K868-A	
1	Oil Pressure Switch (9278)	GN1Z-9D290-C	
2	Knock Sensor (12A699)	AL3Z-12A699-A	Only 2 are used
1	Water Heater Tube (18663)	LC3Z-18663-A	
A/R	BOLT, M8 X 33MM (HB1)	W720027-S437	
A/R	BOLT, M6 X 22MM (HB2)	W503276-S437	
A/R	BOLT, M6 X 25MM (HB3)	W503277-S437	
A/R	BOLT, M6 X 25MM (HB4)	W720102-S437	
4	Dowel Pin, 13.2 X 19.5MM (HM1)	W709001-S300	
1	PLUG, M27 (HP1)	W528208-S437	
1	Ring (HR1)	AC3Z-8527-A	

Base Engine Components 3



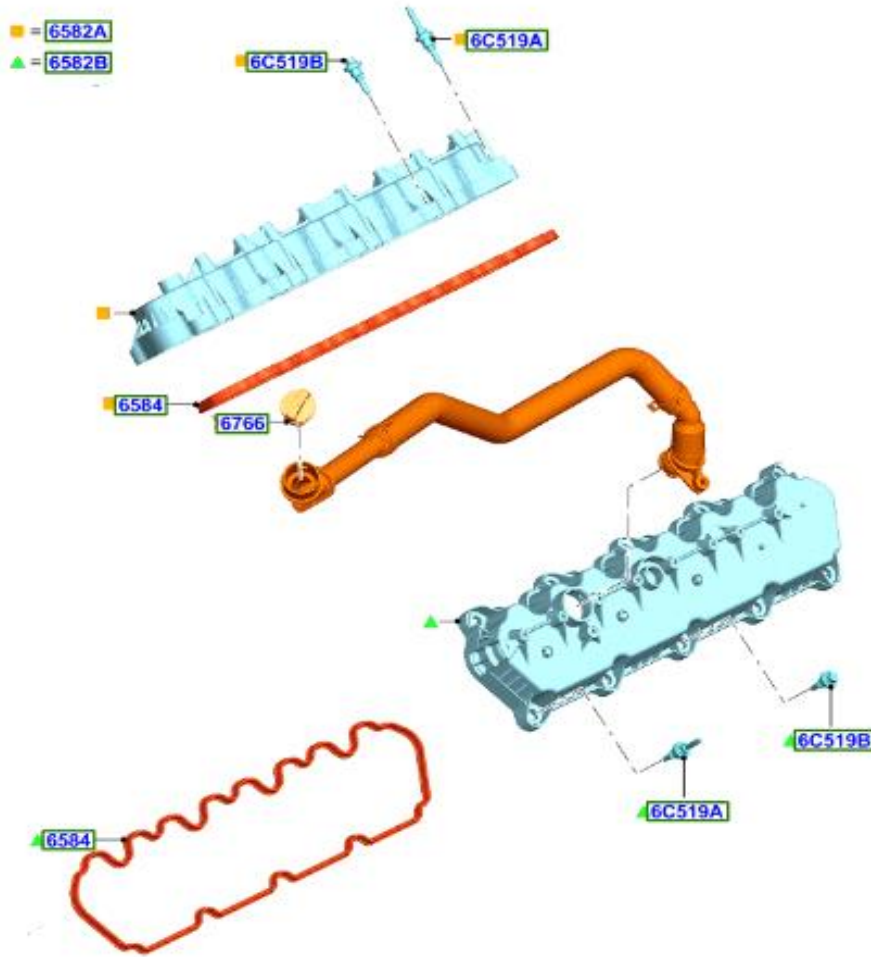
Quantity	Description	Part #	Notes
4	Piston, RH (6108)	LC3Z-6108-A	Wrist Pin and Retainer Sold Separate
4	Piston, LH (6108)	LC3Z-6108-B	
A/R	Piston Pin (6135)	LC3Z-6135-A	
A/R	Piston Pin Retainer (6140)	AL3Z-6140-A	
A/R	Piston Ring Kit (6148)	LC3Z-6148-B	
8	Connecting Rod Assembly (6200)	LC3Z-6200-A	
A/R	Connecting Rod Bearing (6211)	LC3Z-6211-C	Sold as packs of 2
A/R	Connecting Rod Bolts (6214)	LC3Z-6214-A	
1	Crankshaft Assembly (6303;)	LC3Z-6303-A	
1	Woodruff Key (6B316)	GN1Z-6B316-A	
A/R	Standard Grade 1 Upper Crankshaft Bearing (6333A)	LC3Z-6333-A	
A/R	Standard Grade 2 Upper Crankshaft Bearing (6333A)	LC3Z-6333-B	
A/R	Standard Grade 3 Upper Crankshaft Bearing (6333A)	LC3Z-6333-C	
A/R	Standard Grade 1 Lower Crankshaft Bearing (6333B)	LC3Z-6333-D	
A/R	Standard Grade 2 Lower Crankshaft Bearing (6333B)	LC3Z-6333-E	
A/R	Standard Grade 3 Lower Crankshaft Bearing (6333B)	LC3Z-6333-F	
1	Standard Grade 1 Crank. Thrust Bearing (6337)	LC3Z-6337-A	
1	Standard Grade 2 Crank. Thrust Bearing (6337)	LC3Z-6337-B	
1	Standard Grade 3 Crank. Thrust Bearing (6337)	LC3Z-6337-C	
1	Crankshaft Thrust Bearing Washer (6A341)	AL3Z-6A341-A	
1	Crank Sensor (6C315)	LC3Z-6C315-A	
1	Reluctor Wheel (12A227)	LC3Z-12A227-A	

Camshaft



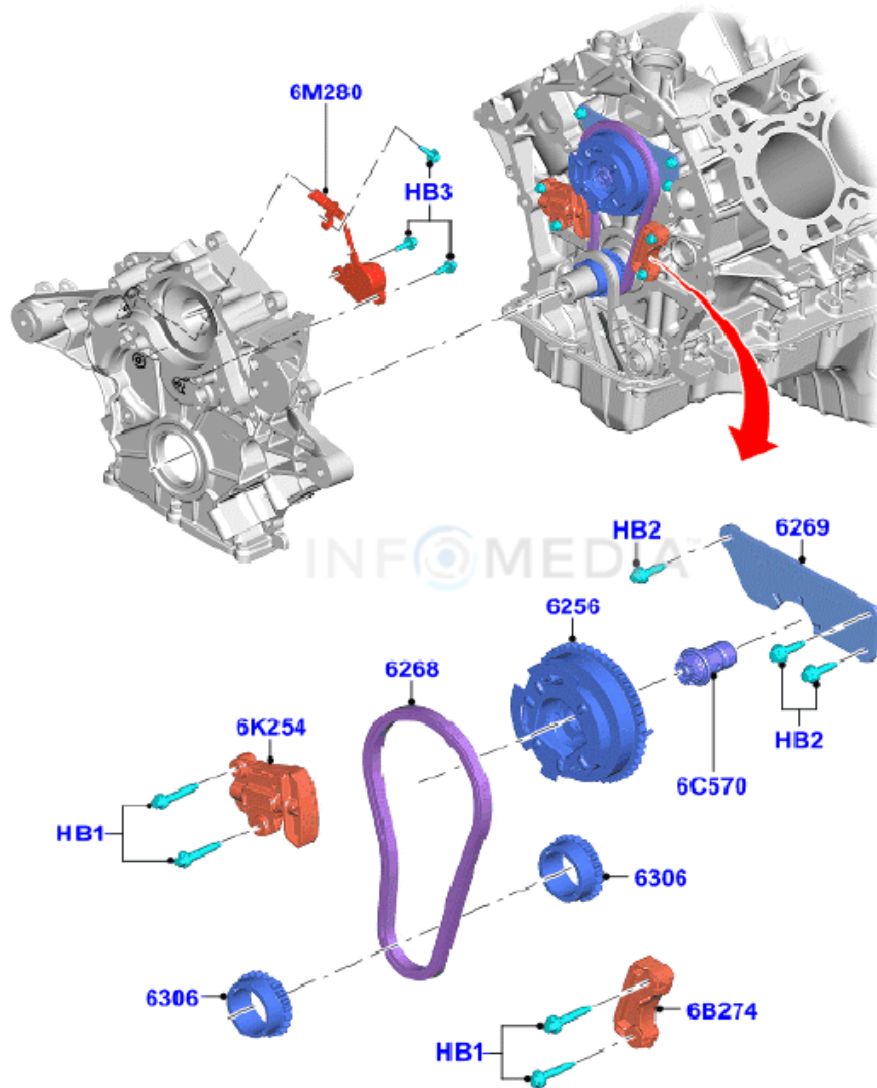
Quantity	Description	Part #
1	Camshaft (6250)	LC3Z-6250-A

Camshaft Covers (Valve Covers)



Quantity	Description	Part #
AR	Grommet, Stud (6C519A)	CC3Z-6C519-B
AR	Grommet. Bolt (6C519B)	CC3Z-6C519-C
1	Camshaft - Cover, RH	LC3Z-6582-A
1	Camshaft - Cover, LH	LC3Z-6582-B
1	Gasket (6584)	LC3Z-6584-A
1	Cap Assembly, Oil Filler 5W-30 (6766)	F2GZ-6766-A
1	Valve Cover Breather Connector (90°)	7T4E-9E499-EA

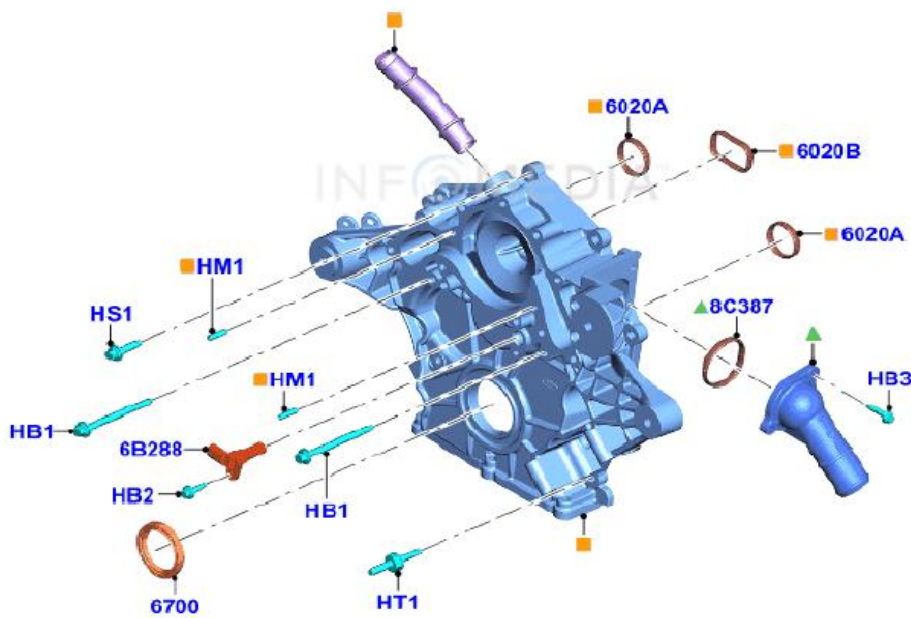
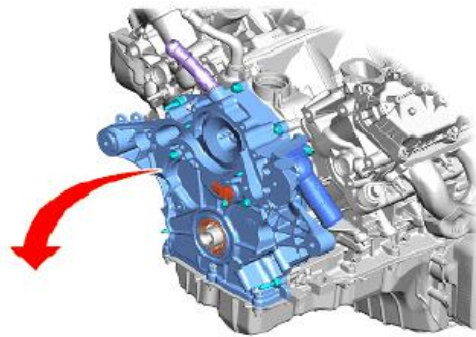
Timing



Quantity	Description	Part #
1	Timing Belt Tensioner (6K254)	LC3Z-6K254-B
1	Camshaft Sprocket (6256)	LC3Z-6256-A
1	Timing Chain (6268)	LC3Z-6268-A
1	Camshaft Thrust Plate (6269)	LC3Z-6269-A
1	Timing Belt Guide (6B274)	LC3Z-6B274-A
1	Variable Valve Timing Solenoid (6M280)	LC3Z-6M280-A
2	Crankshaft Gear (6306)	LC3Z-6306-A
1	Valve Assembly (6C570)	H6BZ-6C570-A
A/R	BOLT, M6 X 34MM (HB1)	W718733-S437
A/R	BOLT, M6 X 22MM (HB2)	W714962-S437
A/R	BOLT, M6 X 22MM (HB3)	W503276-S437

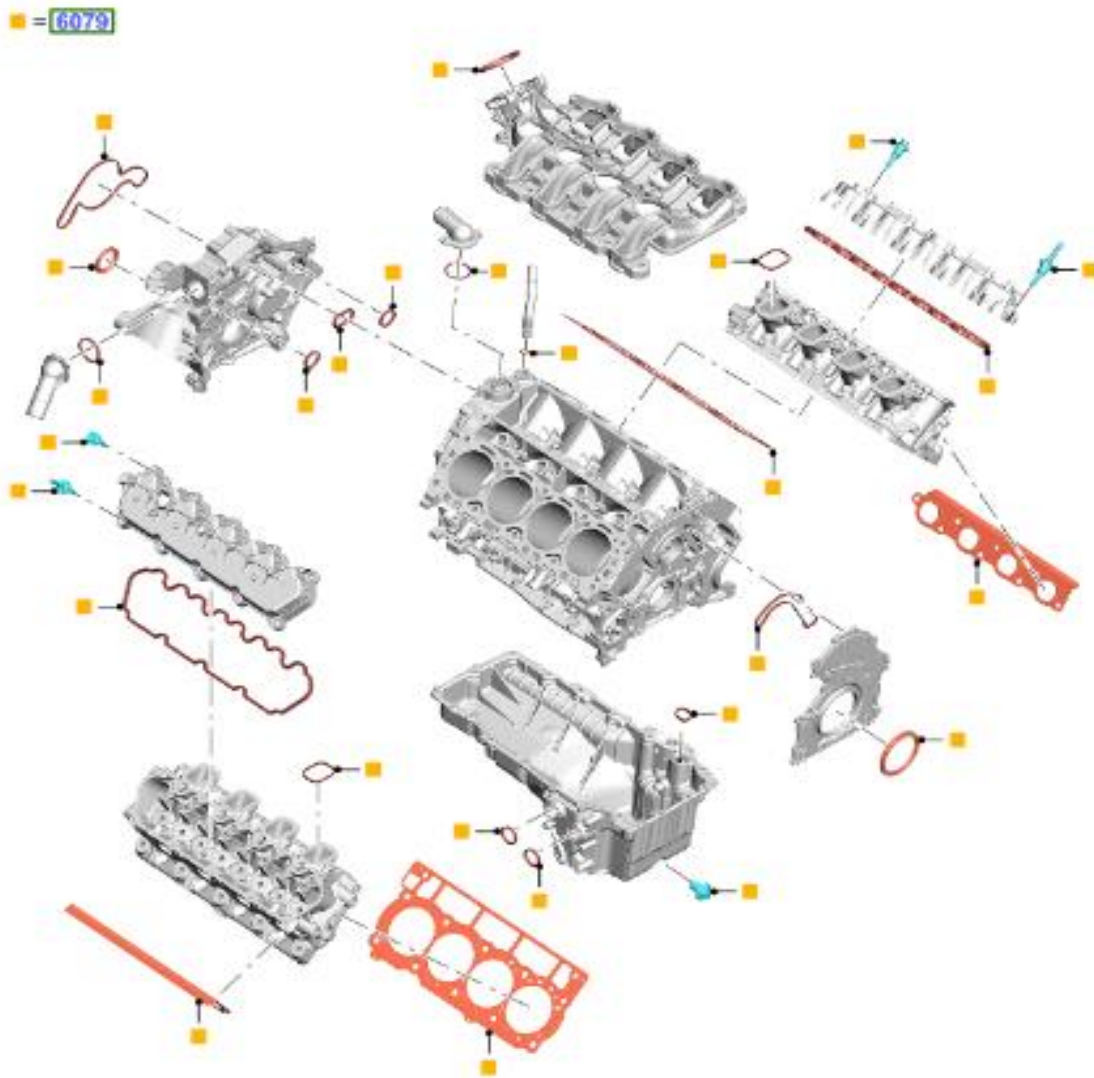
Timing Gear Covers

- = 6019
- ▲ = 8A544

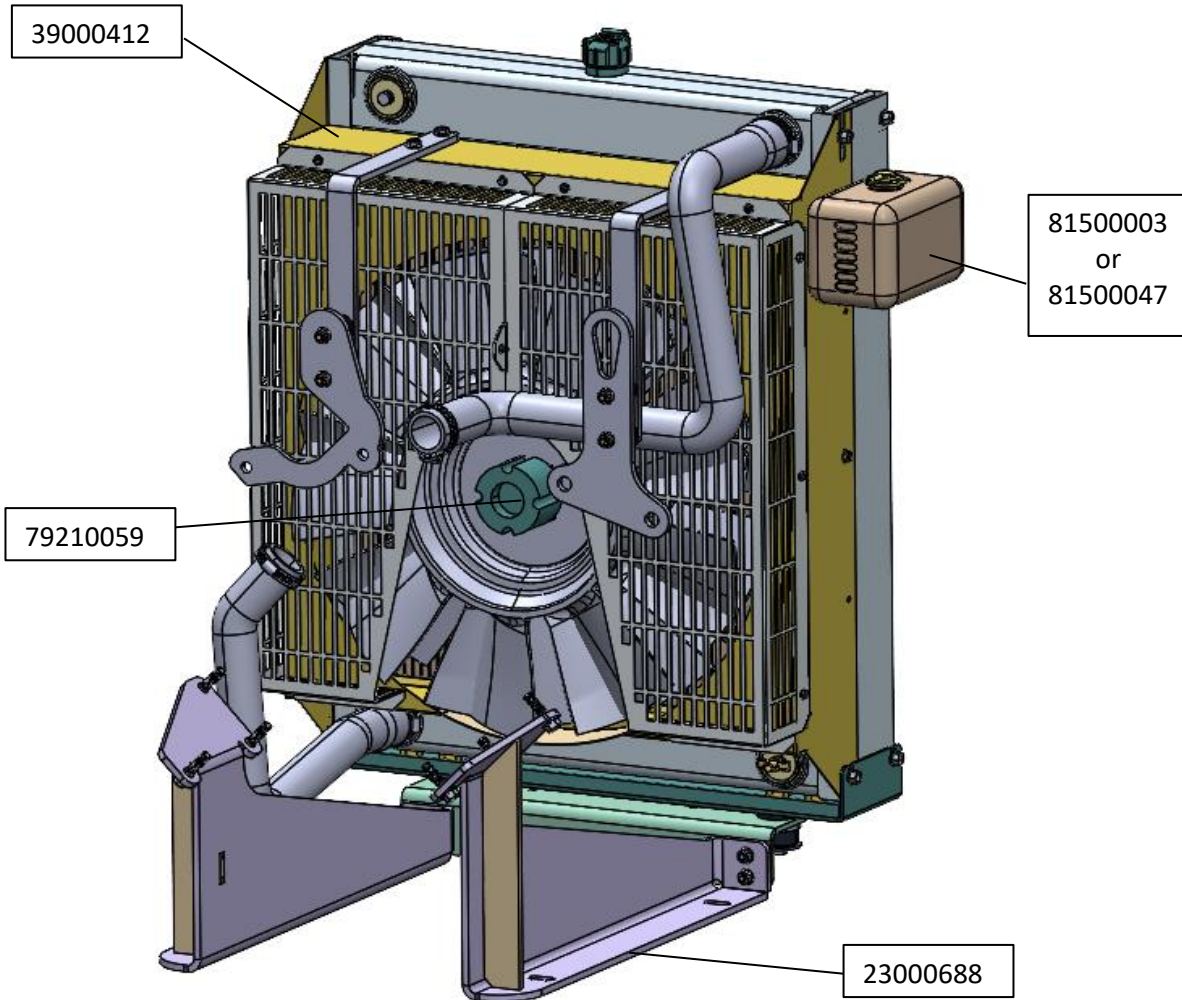


Quantity	Description	Part #
1	Cover (6019)	LC3Z-6019-A
2	Gasket (6020A)	LC3Z-6020-A
1	Gasket (6020B)	LC3Z-6020-B
1	Camshaft Position Sensor (6B288)	KR3Z-6B288-A
1	Crankshaft Seal, Front	GK2Z-6700-A
1	Gasket (8C387)	LC3Z-8C387-A
1	Connecting Tube (8A544)	LC3Z-8591-A
AR	BOLT, M8 X 98MM (HB1)	W719897-S437
AR	BOLT, M6 X 22MM (HB2)	W503276-S437
AR	BOLT, M6 X 27MM (HB3)	W503278-S437
AR	Pin (HM1)	W525585-S300
AR	SCREW, M8 X 33MM (HS1)	W713261-S437
1	STUD, M8 X 33MM + M8 X 27MM (HT1)	W713461-S437

Gasket Kits



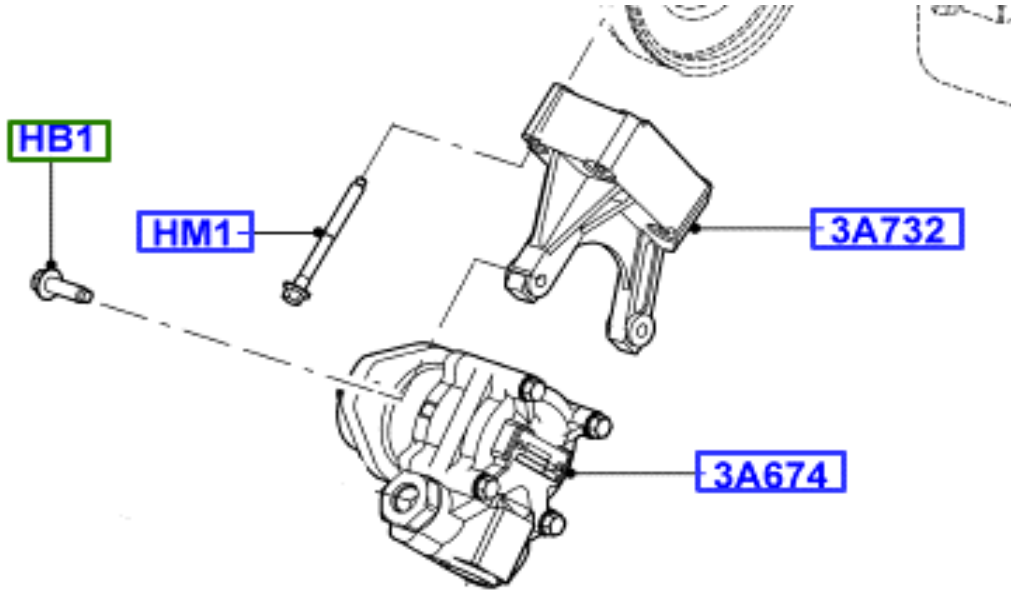
Quantity	Description	Part #
1	Gasket Kit	LU7Z-6079-B



22" Fan Shroud Radiator

Quantity	Description	Part #	Notes
1	Radiator - 22" Fan	39000412	
1	Bracket Kit for 39000412	23000688	
1	Overflow Bottle (pop top)	81500003	
1	Overflow Bottle (screw top)	81500047	
1	22" Pusher Fan	9020010	
1	22" Suction Fan	9020020	
1	Fan Spacer 2"	79210059	Pusher/Suction

Powersteering



Powersteering

Quantity	Description	Part #
1	Powersteering Pump	FC4Z-3A674-B
1	Powersteering Pump Bracket	LU9Z-3A732-A
A/R	BOLT, M10 X 33MM (HB1)	N605920-S439
4	BOLT, M8 X 65MM (HM1)	N606546-S437
1	Belt	LC4Z-8620-B
1	Belt	K060790

AC Compressor

Quantity	Description	Part #
1	AC Compressor	HU9Z-19703-B
1	Tensioner	LC3Z-6A228-A
1	AC Drive Belt	LC4Z-9620-A



Quantity	Description	Part #
1	Serial # Label	1010280
1	Emission Label	1010290
1	Operator Manual	1010190
1	Emission Install Instructions	1010180
1	Body Side Harness Install Instructions	1010200
1	Parts Manual	1010210
1	Service Manual	1010220
1	Spec Sheet	1010170