

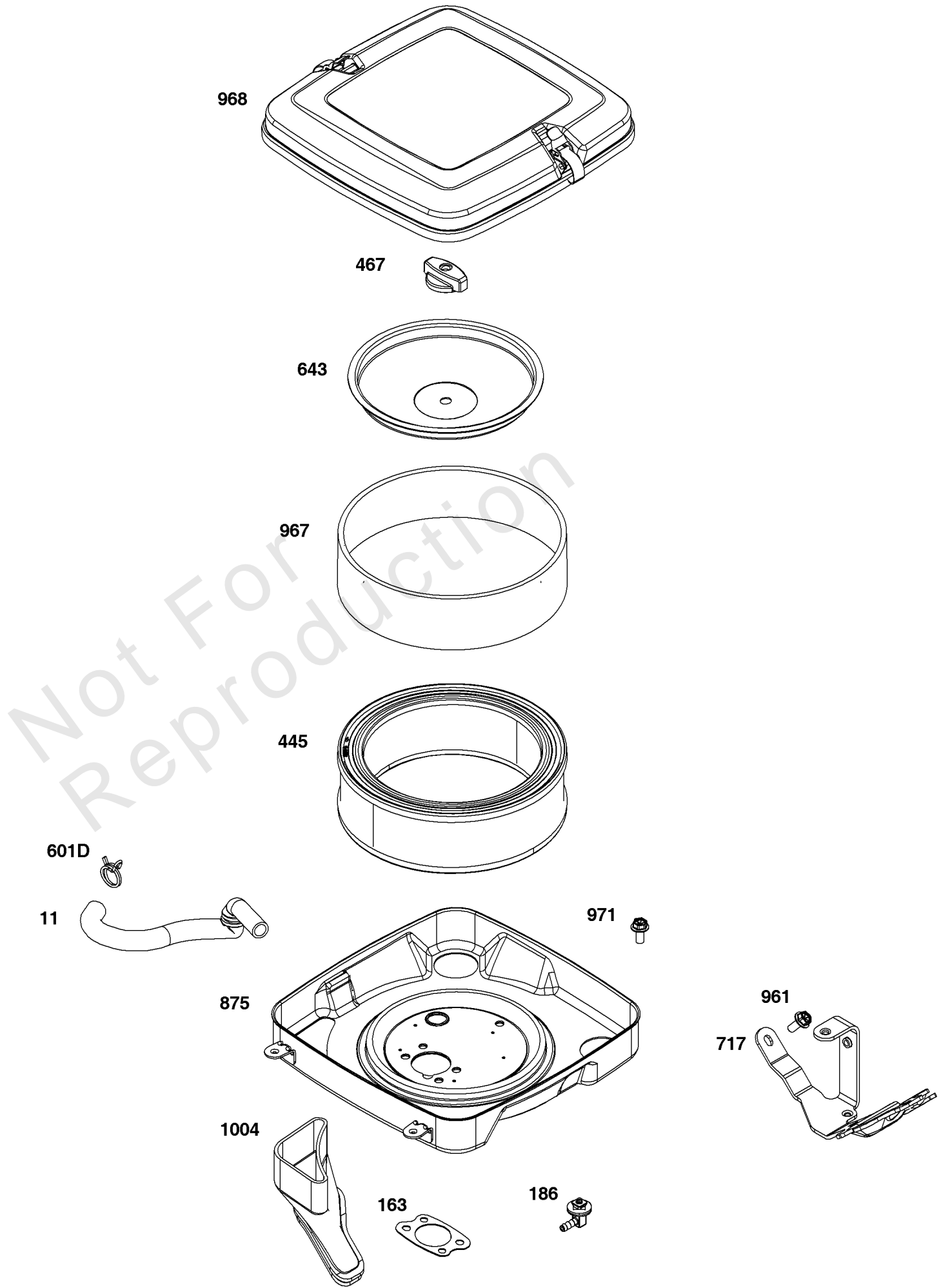


Parts Manual

Mfg. No: 38E347-0017-G1

Model Components	Page
Air Cleaner Group.....	4
Alternator Group.....	6
Blower Housing Group.....	8
Controls Group.....	10
Crankcase Cover/Sump Group.....	12
Crankshaft Group.....	14
Cylinder Group.....	16
Cylinder Head Group.....	18
Exhaust Group.....	22
Flywheel, Ignition, and Starter Group.....	24
Fuel Supply Group.....	26
Lubrication Group.....	28
Throttle Body Group.....	30

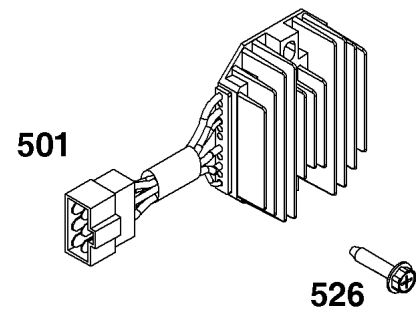
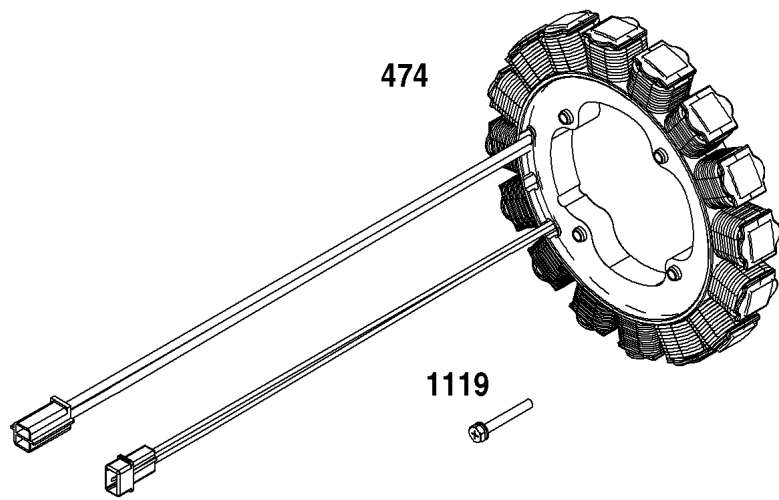
Not For
Reproduction



Air Cleaner Group

REF NO	PART NO	QTY	DESCRIPTION
11	844976	1	TUBE, Breather
163	692081	1	GASKET, Air Cleaner -(Air Cleaner)
186	845141	1	CONNECTOR, Hose
445	394018S	1	FILTER, A/C Cartridge
467	846431	1	KNOB, Air Cleaner Cover
601D	691145	1	CLAMP, Hose
643	844932	1	RETAINER, Air Cleaner
717	847140	1	BRACKET, Air Cleaner
875	847896	1	BASE, Air Cleaner
967	272490S	1	FILTER, Pre Cleaner
968	699959	1	COVER, Air Cleaner
961	807084	5	SCREW -(Air Cleaner Base to Air Cleaner Bracket)
971	807084	5	SCREW -(Air Cleaner Base to Carburetor/Throttle Body)
1004	847339	1	DUCT, Air

Not For Reproduction



Not For
Reproduction

Alternator Group

REF NO	PART NO	QTY	DESCRIPTION
474	847135	1	ALTERNATOR
501	846929	1	REGULATOR
526	690297	2	SCREW -(Regulator)
1119	691552	4	SCREW -(Alternator)

Not For Reproduction

1036



1319B



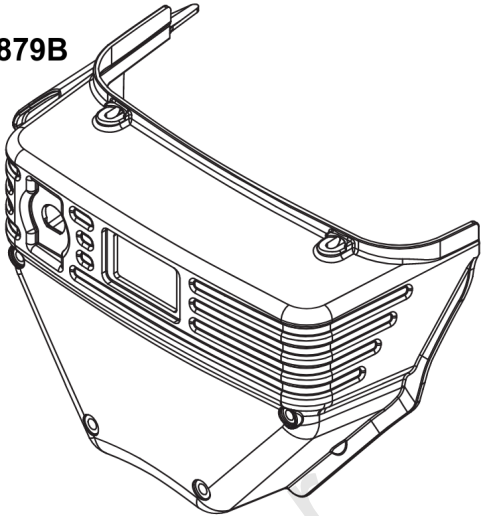
506



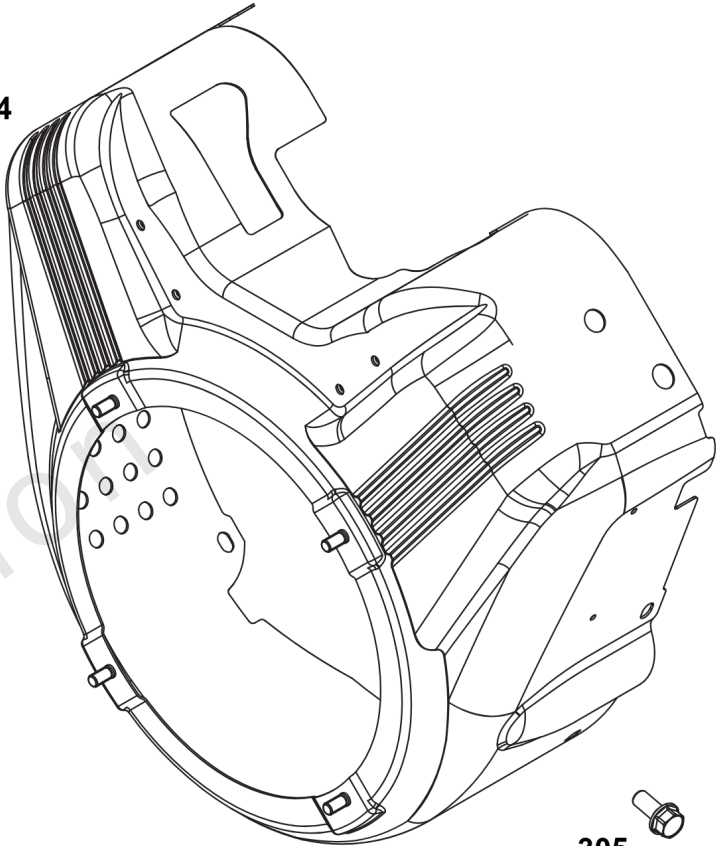
1497A



879B



304



305

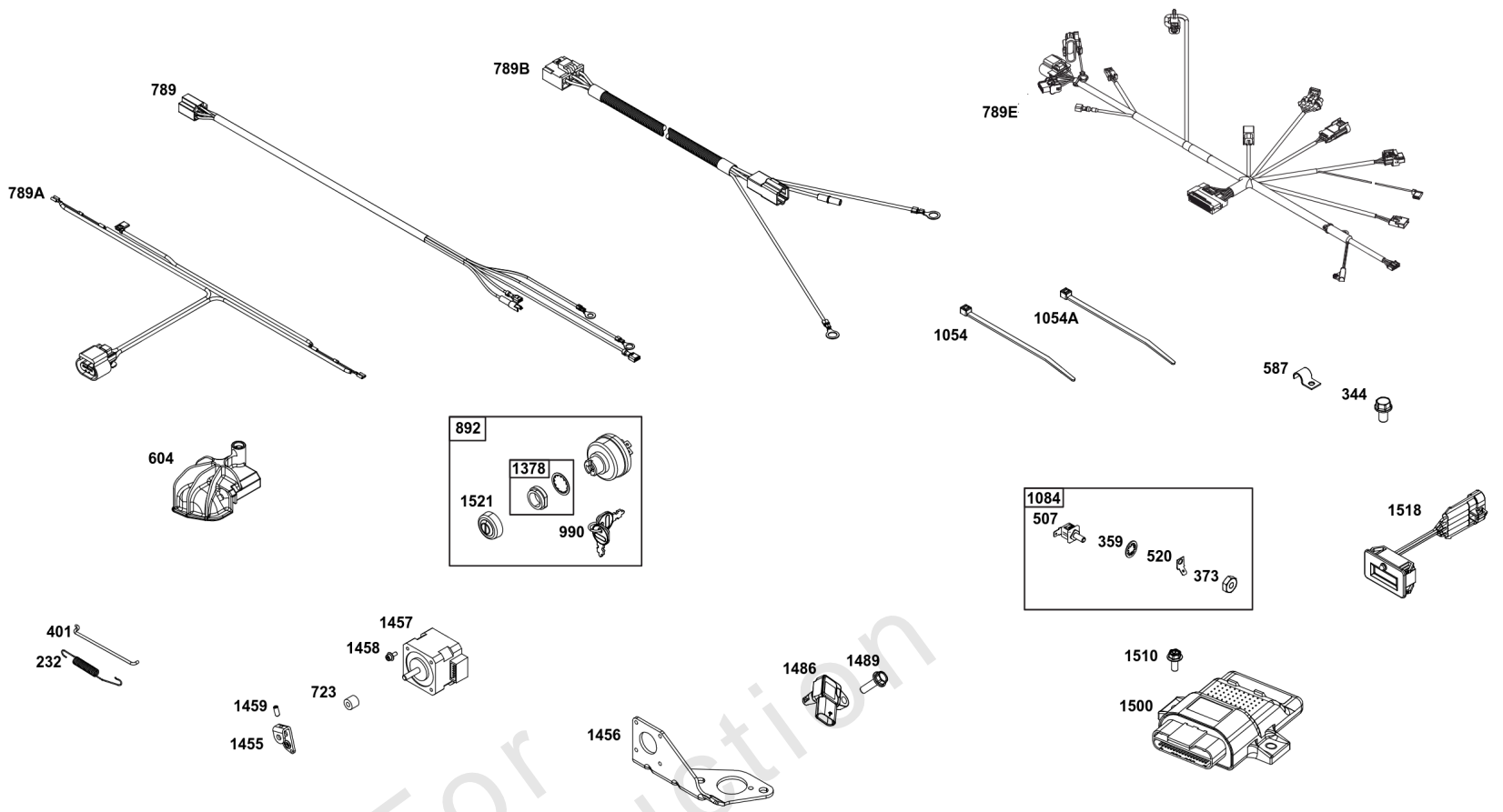


Not For
Reproduction

Blower Housing Group

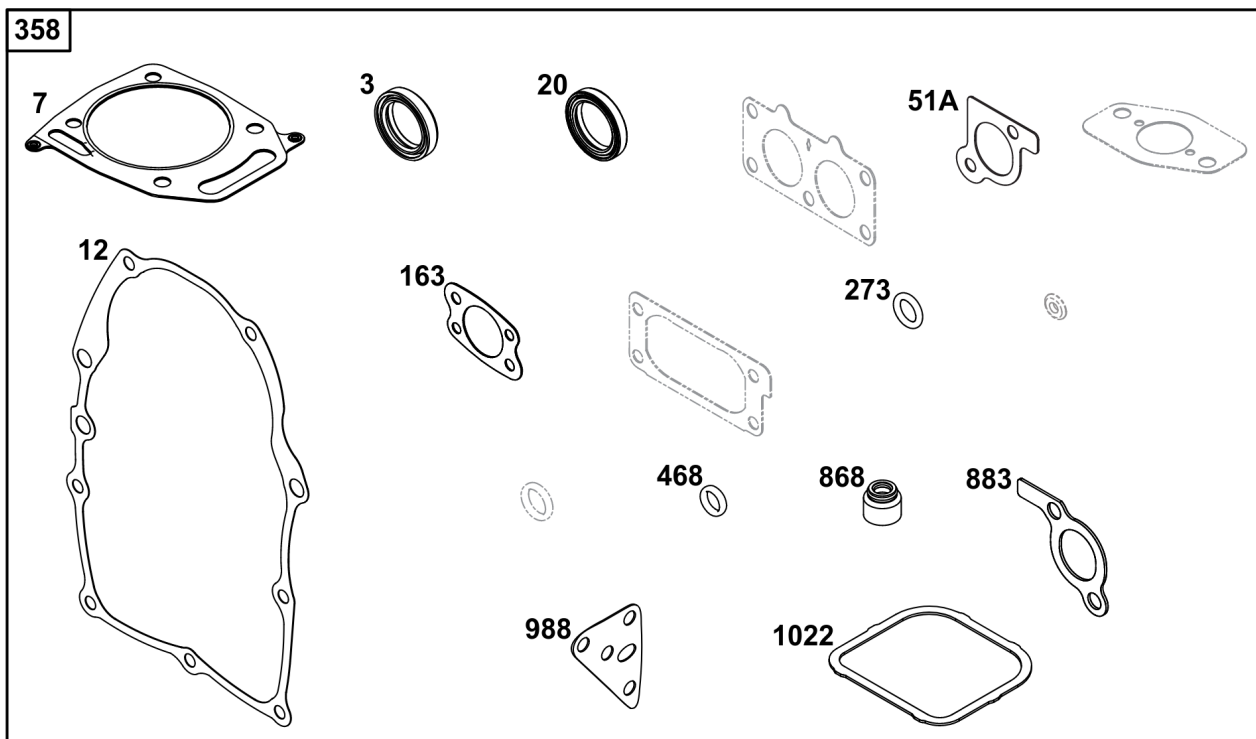
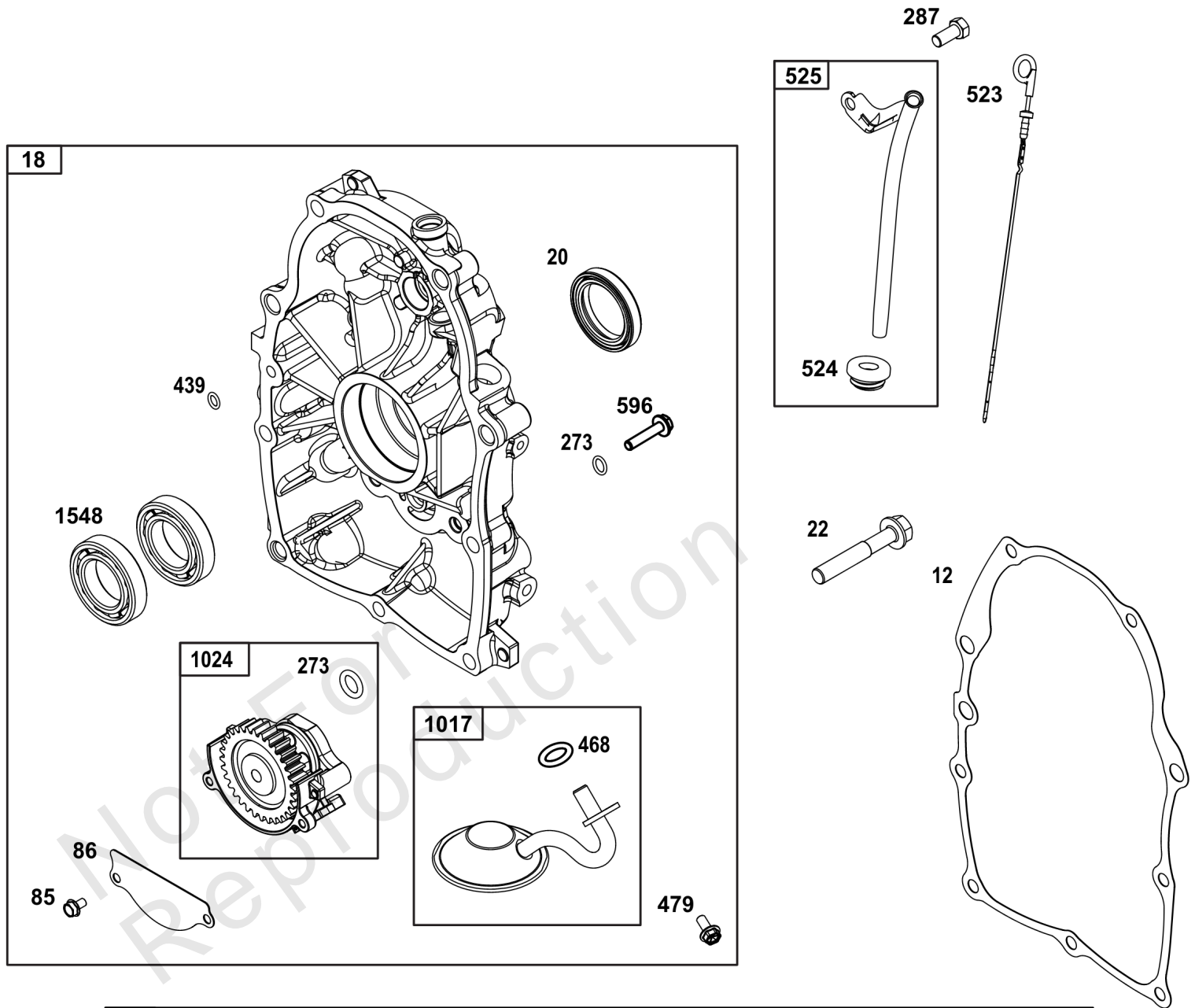
REF NO	PART NO	QTY	DESCRIPTION
304	84003968	1	HOUSING, Blower
305	692056	4	SCREW -(Blower Housing)
506	807120	2	SCREW -(Carburetor/EFI Cover)
879B	847943	1	COVER, Carburetor/EFI
1036	-----		LABEL, Emissions -(Available From A Briggs & Stratton Authorized Service Dealer)
1319B	278911GS	1	LABEL, Warning -(Required When Replacing Parts With Warning Labels Affixed)
1497A	84003014	1	BRACKET, Fuel Module

Not For Reproduction



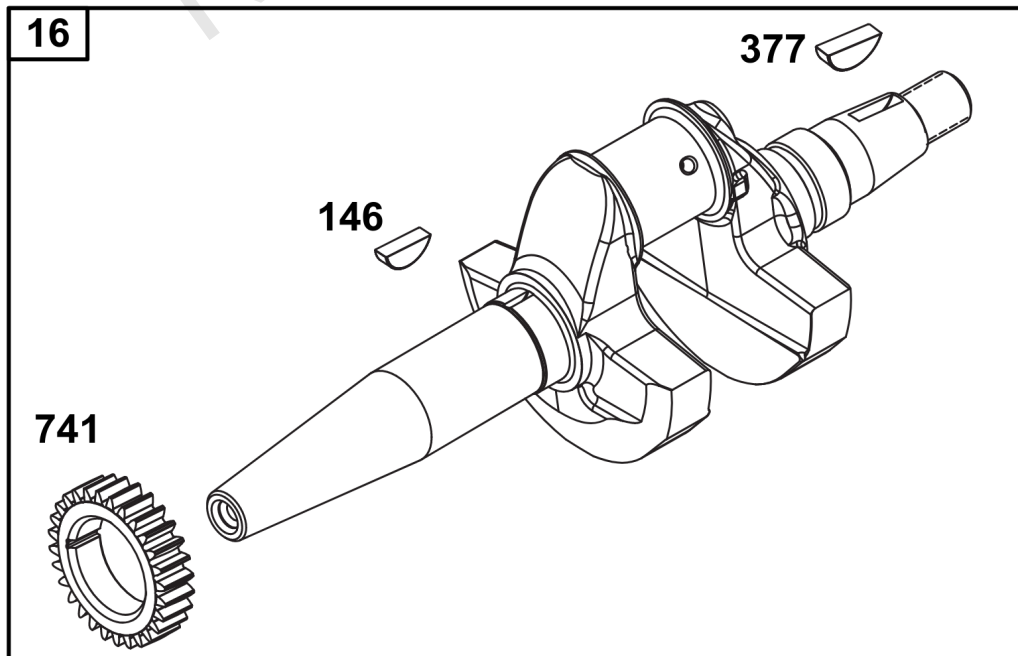
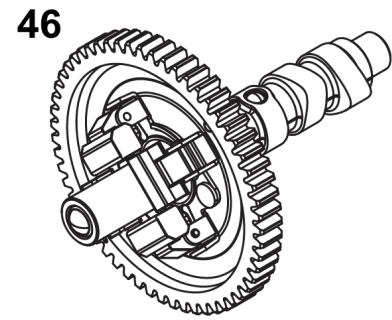
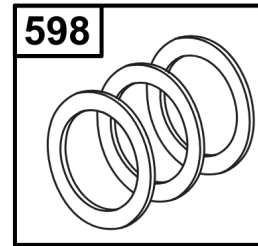
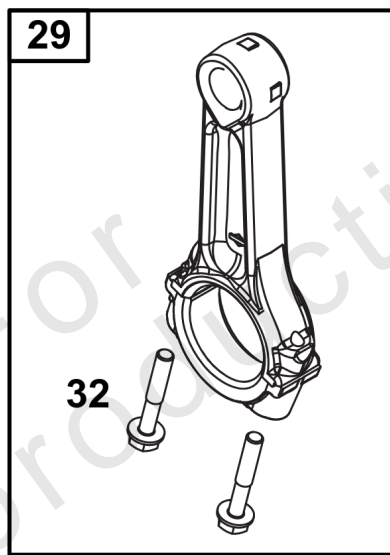
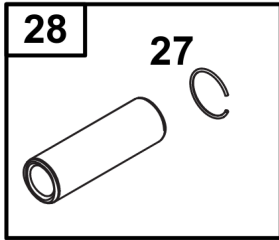
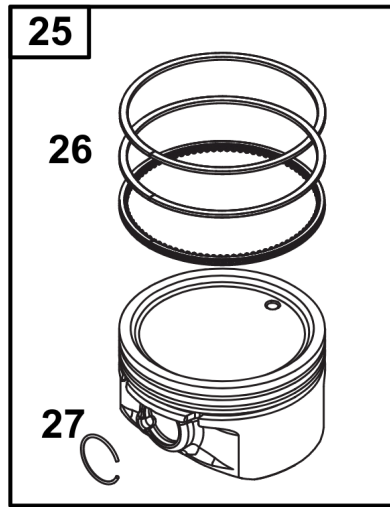
Controls Group

REF NO	PART NO	QTY	DESCRIPTION
232	847470	1	SPRING, Governor
344	692056	1	SCREW -(Cable Clamp)
359	691077	1	WASHER -(Ground Terminal)
373	845823	1	NUT -(Ground Terminal)
401	845814	1	LINK, Actuator
507	691972	1	INSULATOR
520	691084	1	TERMINAL, Ground
587	690423	1	CLAMP, Tube
604	84001958	1	COVER, Control -Stepper Motor
723	845818	1	SEAL, Foam
789	847924		HARNESS, Wiring
789A	847176	1	HARNESS, Wiring
789B	847023	1	HARNESS, Wiring
789E	84001970	2	HARNESS, WIRING
892	847448	1	SWITCH, Key
990	691959	1	SET, Key
1054	280275	1	TIE, Cable
1054A	5021029SM	1	TIE WRAP, 11" Long
1084	848341	1	CONNECTOR, Terminal
1378	847144	1	WASHER/NUT SET
1455	845813	1	LEVER, Actuator
1456	845815	1	BRACKET, Mounting
1457	847142	1	MOTOR, Stepper
1458	845812	4	SCREW -(Stepper Motor)
1459	845820	1	SCREW
1486	593905	1	SENSOR, Temperature/Manifold Absolute Pressure (MAP)
1489	193626GS	1	SCREW -(Temperature/Manifold Air Pressure Sensor)
1500	84001977	1	MODULE, Electronic Control -(Not Programmed)
1510	807084	4	SCREW -(Electronic Control Module)
1518	847016	1	TACHOMETER
1521	847150	1	CAP, Switch



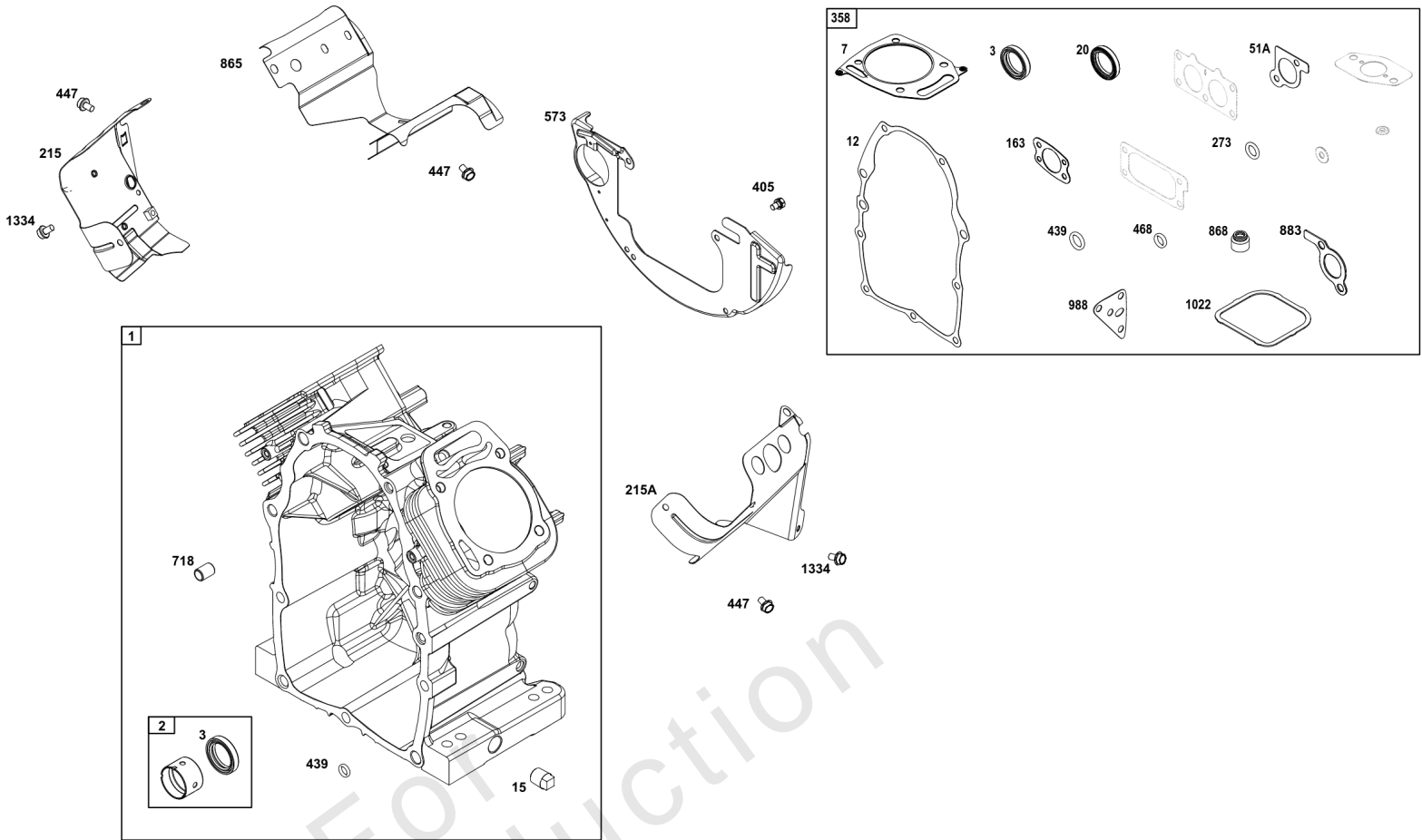
Crankcase Cover/Sump Group

REF NO	PART NO	QTY	DESCRIPTION
3	-----	1	SEAL, Oil -(Part information located in Cylinder Group.)
7	-----	2	GASKET, Cylinder Head -(Part information located in Cylinder Head Group.)
12	846487	1	GASKET, Crankcase
18	84002117	1	COVER, Crankcase
20	805049S	1	SEAL, Oil -(PTO Side)
22	807362	9	SCREW -(Crankcase Cover/Sump)
51A	-----	2	GASKET, Intake -(Part information located in Cylinder Head Group.)
85	841233	2	SCREW -(Gear Cover)
86	690745	1	COVER, Gear
163	-----	1	GASKET, Air Cleaner -(Part information located in Air Cleaner Group.)
273	-----	2	SEAL, O-Ring -(Part information located in Lubrication Group.)
287	-----	1	SCREW -(Part information located in Lubrication Group.)
358	-----	1	GASKET SET, Engine -(Part information located in Cylinder Group.)
439	-----	1	O-RING, Oil Gallery -(Part information located in Lubrication Group.)
468	-----	1	SEAL, O-Ring -(Part information located in Lubrication Group.)
479	-----	1	SCREW -(Part information located in Lubrication Group.)
523	-----	1	DIPSTICK -(Part information located in Lubrication Group.)
524	-----	1	SEAL, O-Ring -(Part information located in Lubrication Group.)
525	-----	1	TUBE, Dipstick -(Part information located in Lubrication Group.)
596	-----	2	SCREW -(Part information located in Lubrication Group.)
868	-----	1	SEAL, Valve -(Part information located in Cylinder Head Group.)
883	-----	2	GASKET, Exhaust -(Part information located in Exhaust Group.)
988	-----	1	GASKET, Oil Adapter -(Part information located in Lubrication Group.)
1017	-----	1	SCREEN, Oil Pump -(Part information located in Lubrication Group.)
1022	-----	2	GASKET, Rocker Cover -(Part information located in Cylinder Head Group.)
1024	-----	1	PUMP, Oil -(Part information located in Lubrication Group.)
1548	843827	2	BEARING, Ball -(Crankcase Cover/Sump)



Crankshaft Group

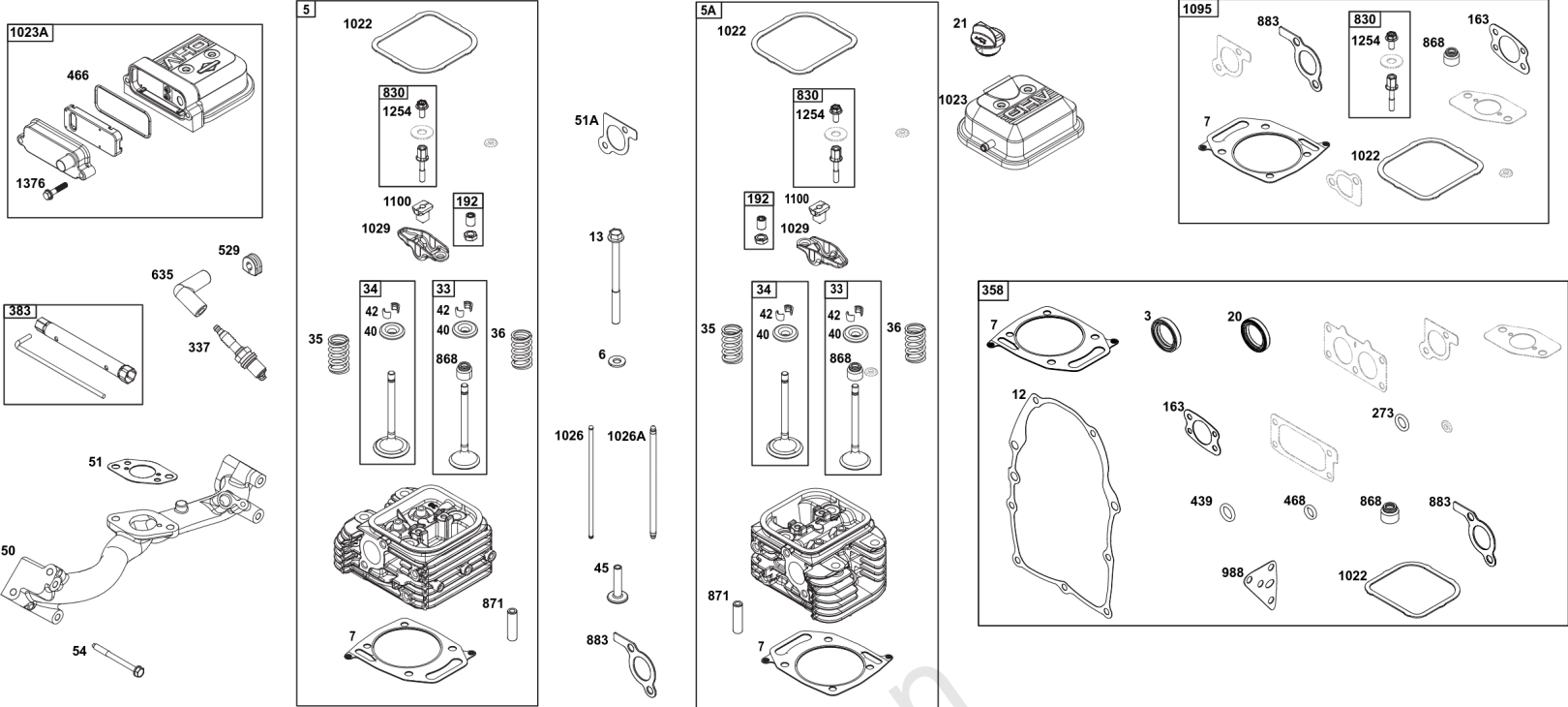
REF NO	PART NO	QTY	DESCRIPTION
16	84004533	1	CRANKSHAFT ASSEMBLY
25	843805	2	PISTON ASSEMBLY -(Standard)
25	843823	1	PISTON ASSEMBLY -(.020" Oversize)
26	843806	2	SET, Ring -(Standard)
26	843824	1	SET, Ring -(.020" Oversize)
27	844023	4	PIN, Piston
28	593650	2	PIN, Piston
29	807900S	2	ROD, Connecting
32	690698	2	SCREW -(Connecting Rod)
46	845650	1	CAMSHAFT
146	691639	1	KEY, Woodruff
377	808095	1	KEY, Flywheel
598	807625	1	SHIM, End Play -(Crankshaft or Camshaft Bearing)
741	846085	1	GEAR, Timing



Not For
Reproduction

Cylinder Group

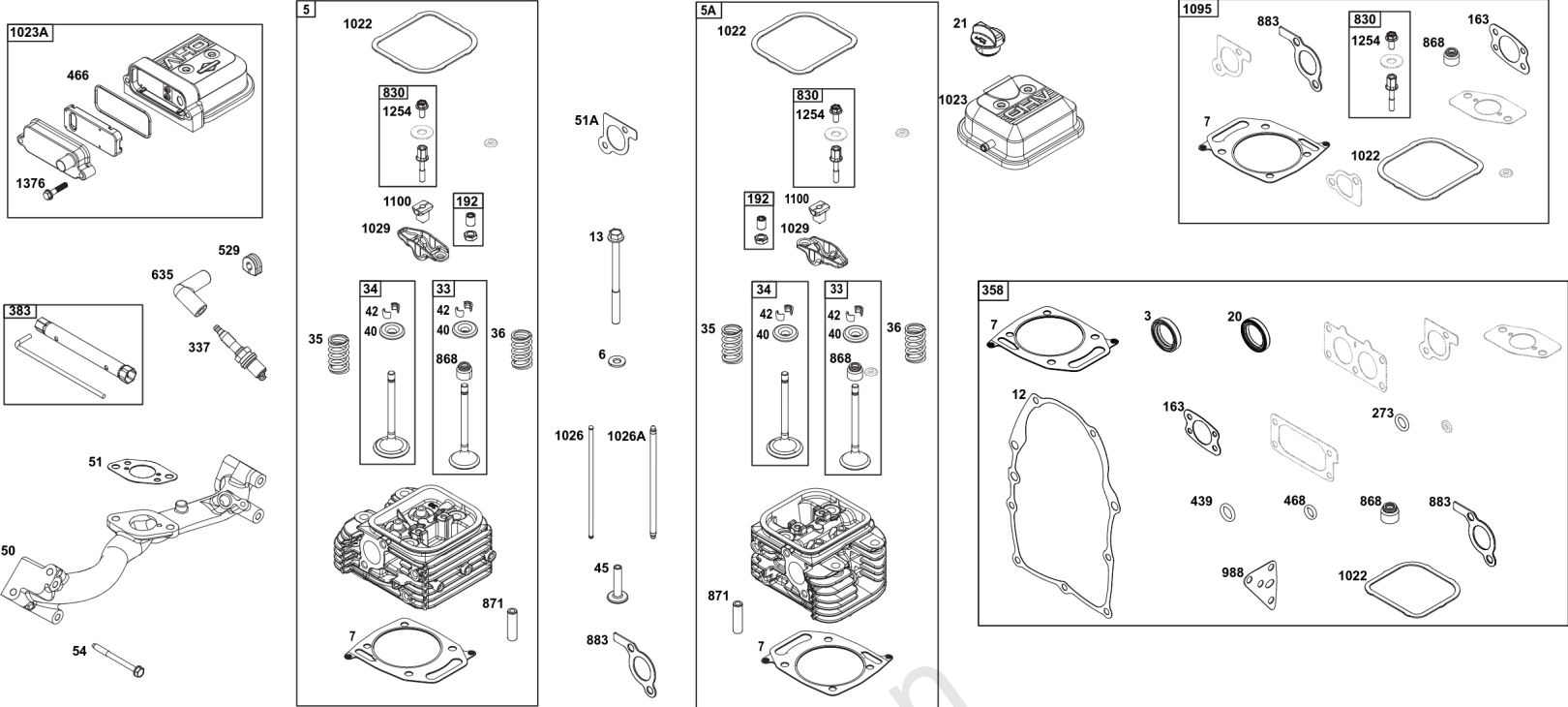
REF NO	PART NO	QTY	DESCRIPTION
1	84004607	1	CYLINDER ASSEMBLY
2	808534	1	KIT, Bushing/Seal -(Magneto Side)
3	845659	1	SEAL, Oil -(Magneto Side)
7	-----	2	GASKET, Cylinder Head -(Part information located in Cylinder Head Group.)
12	-----	1	GASKET, Crankcase -(Part information located in Crankcase Cover/Sump Group.)
15	690946	2	PLUG, Oil Drain
20	-----	1	SEAL, Oil -(Part information located in Crankcase Cover/Sump Group.)
51A	-----	2	GASKET, Intake -(Part information located in Cylinder Head Group.)
163	-----	1	GASKET, Air Cleaner -(Part information located in Air Cleaner Group.)
215	841183	1	GUIDE, Air -(Cylinder #1)
215A	841182	1	GUIDE, Air -(Cylinder #2)
273	-----	2	SEAL, O-Ring -(Part information located in Lubrication Group.)
358	84006735	1	GASKET SET, Engine
405	807163	4	SCREW -(Back Plate)
439	-----	1	O-RING, Oil Gallery -(Part information located in Lubrication Group.)
447	841233	9	SCREW -(Air Guide Cover)
468	-----	1	SEAL, O-Ring -(Part information located in Lubrication Group.)
573	841314	1	PLATE, Back
718	806469	2	PIN, Locating
865	843768	1	COVER, Air Guide
868	-----	1	SEAL, Valve -(Part information located in Cylinder Head Group.)
883	-----	2	GASKET, Exhaust -(Part information located in Exhaust Group.)
988	-----	1	GASKET, Oil Adapter -(Part information located in Lubrication Group.)
1022	-----	2	GASKET, Rocker Cover -(Part information located in Cylinder Head Group.)
1334	841233	2	SCREW -(Air Guide)



Not For
Reproduction

Cylinder Head Group

REF NO	PART NO	QTY	DESCRIPTION
3	-----	1	SEAL, Oil -(Magneto Side)
5	84002012	1	HEAD, Cylinder -(Cylinder #1)
5A	84002013	1	HEAD, Cylinder -(Cylinder #2)
6	84005965	8	WASHER -(Cylinder Head)
7	84006734	2	GASKET, Cylinder Head
12	-----	1	GASKET, Crankcase -(Part information located in Crankcase Cover/Sump Group.)
13	842618	8	SCREW -(Cylinder Head)
20	-----	1	SEAL, Oil -(Part information located in Crankcase Cover/Sump Group.)
21	809500	1	CAP, Oil Fill
33	843752	2	VALVE, Exhaust
34	845712	2	VALVE, Intake
35	692084	2	SPRING, Valve -(Intake)
36	692084	2	SPRING, Valve -(Exhaust)
40	692058	4	RETAINER, Valve
42	807683	8	KEEPER, Valve
45	843379	4	TAPPET, Valve
50	847137	1	MANIFOLD, Intake
51	691694	2	GASKET, Intake
51A	806418	2	GASKET, Intake
54	806444	4	SCREW -(Intake Manifold)
163	-----	1	GASKET, Air Cleaner -(Part information located in Air Cleaner Group.)
192	807623	4	ADJUSTER, Rocker Arm
273	-----	2	SEAL, O-Ring -(Part information located in Lubrication Group.)
337	792015	2	PLUG, Spark
358	-----	1	GASKET SET, Engine -(Part information located in Cylinder Group.)
383	19576S	1	WRENCH, Spark Plug
439	-----	1	O-RING, Oil Gallery -(Part information located in Lubrication Group.)
466	806466	1	SEAL, O-Ring -(Breather Assembly)
468	-----	1	SEAL, O-Ring -(Part information located in Lubrication Group.)
529	690744	2	GROMMET
635	692076	1	BOOT, Spark Plug
830	809157	4	STUD, Rocker Arm
868	691963	2	SEAL, Valve -(Exhaust)
871	84002672	2	BUSHING, Valve Guide
883	-----	2	GASKET, Exhaust -(Part information located in Exhaust Group.)
988	-----	1	GASKET, Oil Adapter -(Part information located in Lubrication Group.)
1022	806039S	2	GASKET, Rocker Cover
1023	690910	1	COVER, Rocker



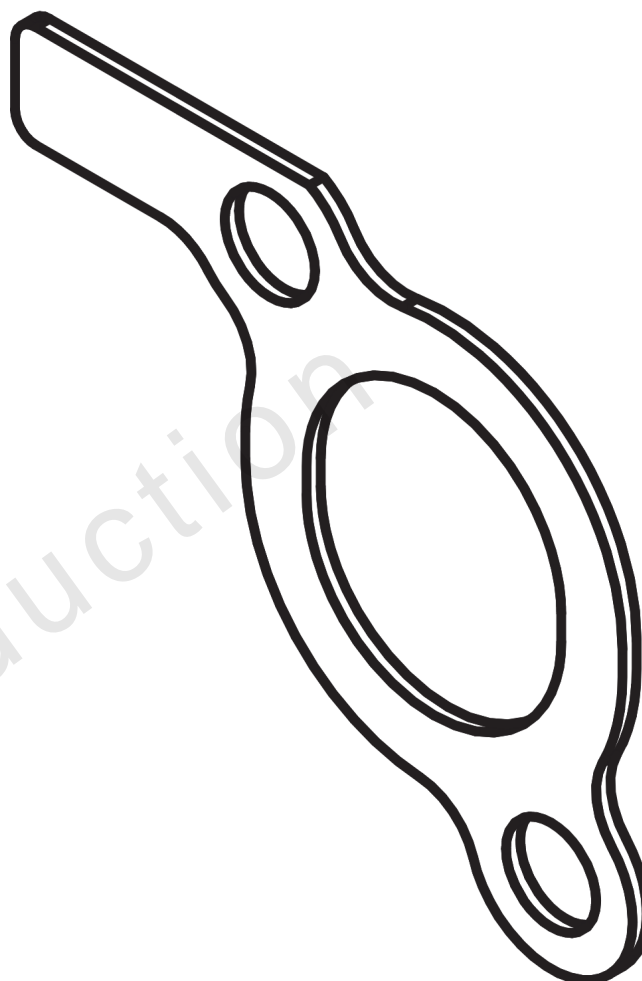
Not For
Reproduction

Cylinder Head Group

REF NO	PART NO	QTY	DESCRIPTION
1023A	843750	1	COVER, Rocker
1026	691836	2	ROD, Push -(Intake)
1026A	691758	2	ROD, Push -(Exhaust)
1029	807323	4	ARM, Rocker
1095	84006736	1	GASKET SET, Valve -(Service Kits can include parts not for this engine.)
1100	791959	4	PIVOT, Rocker Arm
1254	807084	4	SCREW -(Rocker Arm Stud)
1376	806421	2	SCREW -(Breather Reed Cover)

Not For Reproduction

883

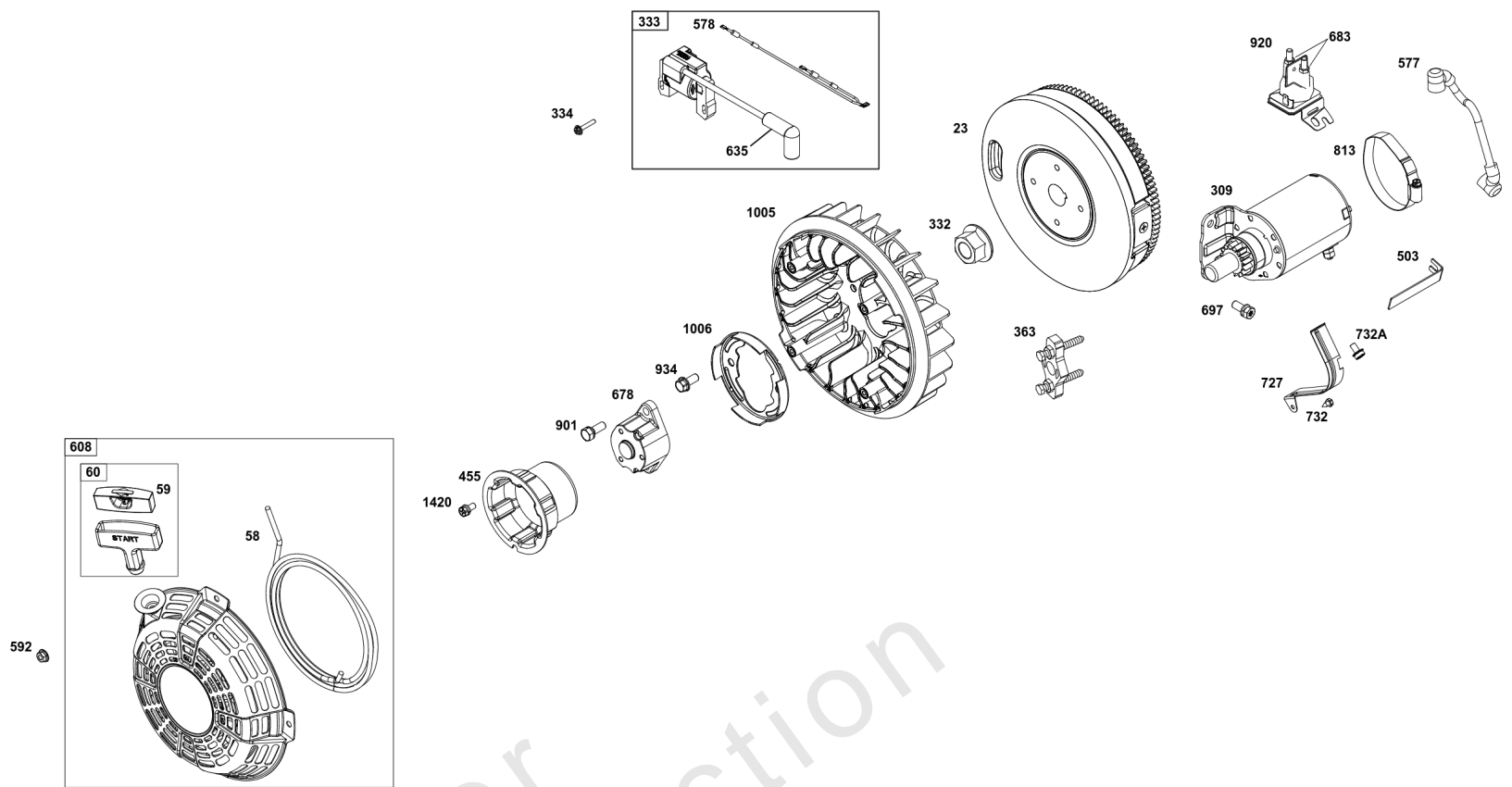


Not For
Reproduction

Exhaust Group

REF NO	PART NO	QTY	DESCRIPTION
883	806425	2	GASKET, Exhaust

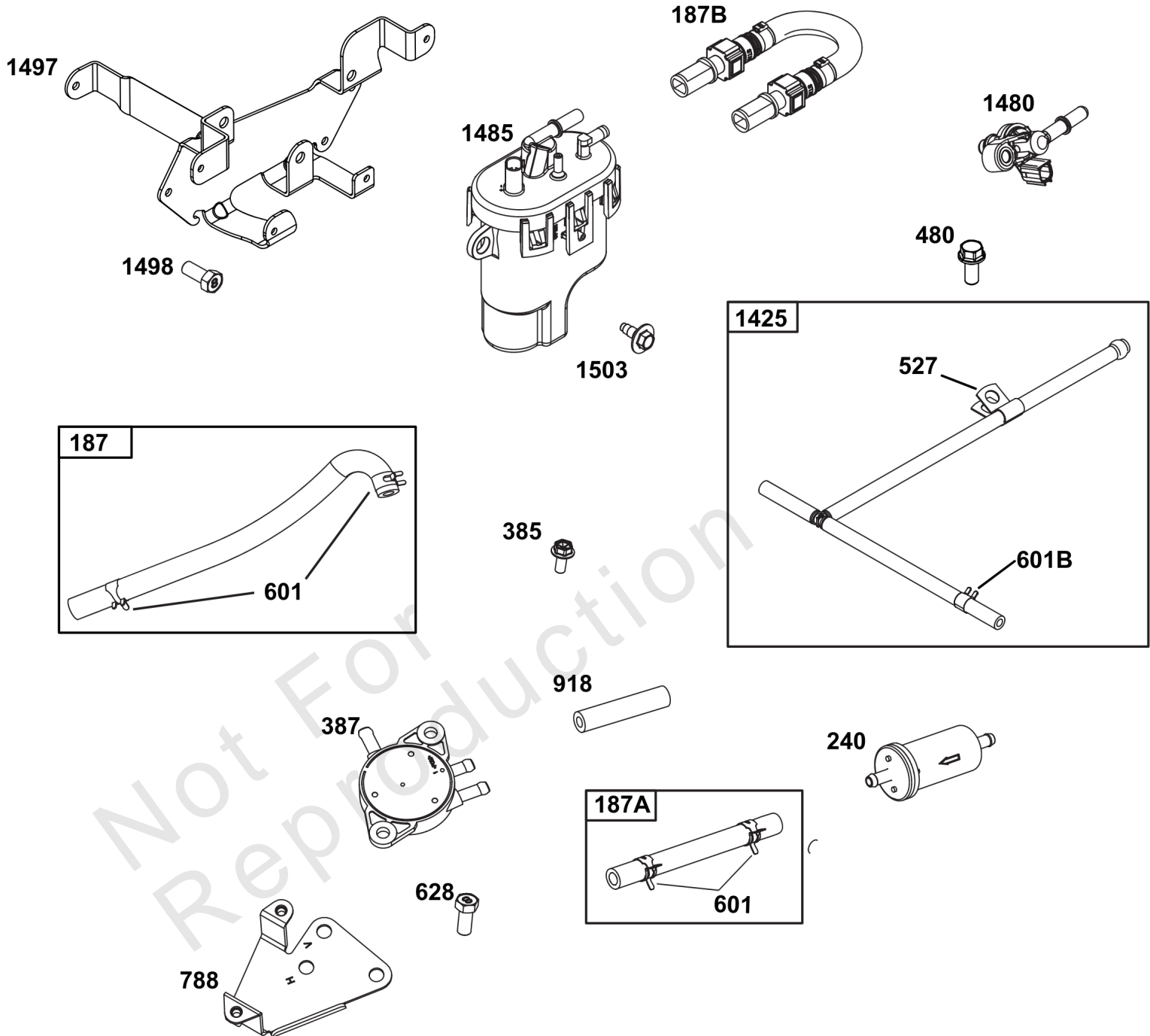
Not For Reproduction



Not For
Reproduction

Flywheel, Ignition, and Starter Group

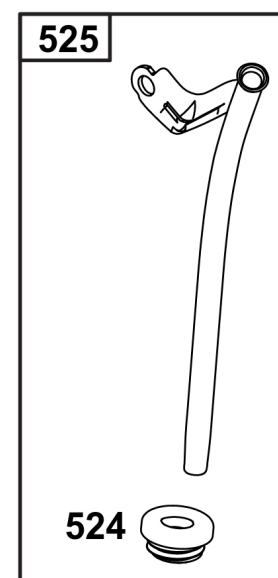
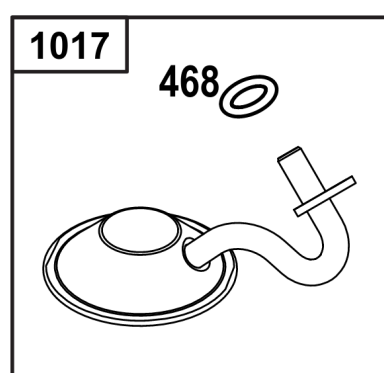
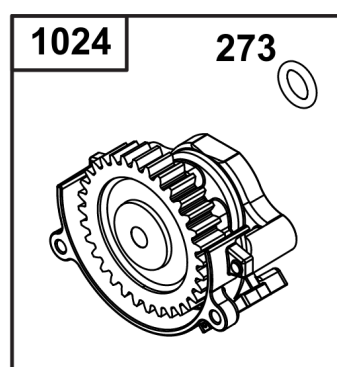
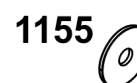
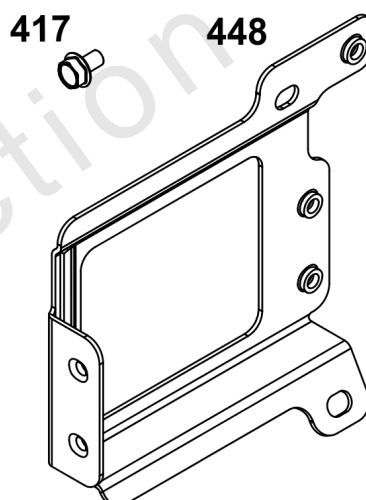
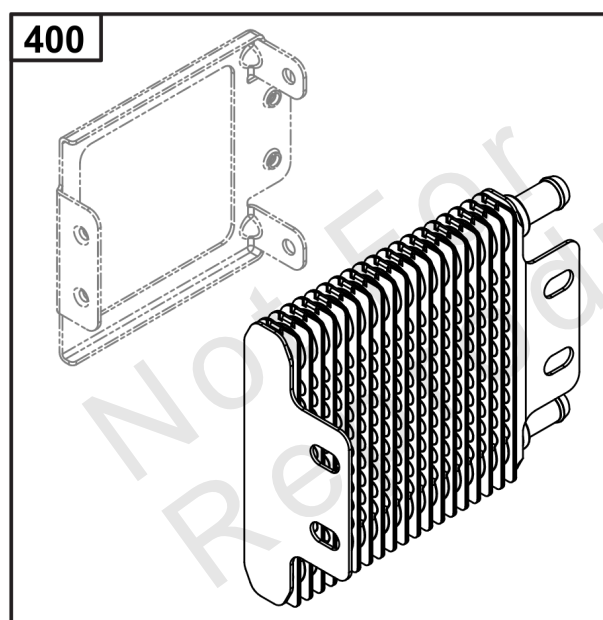
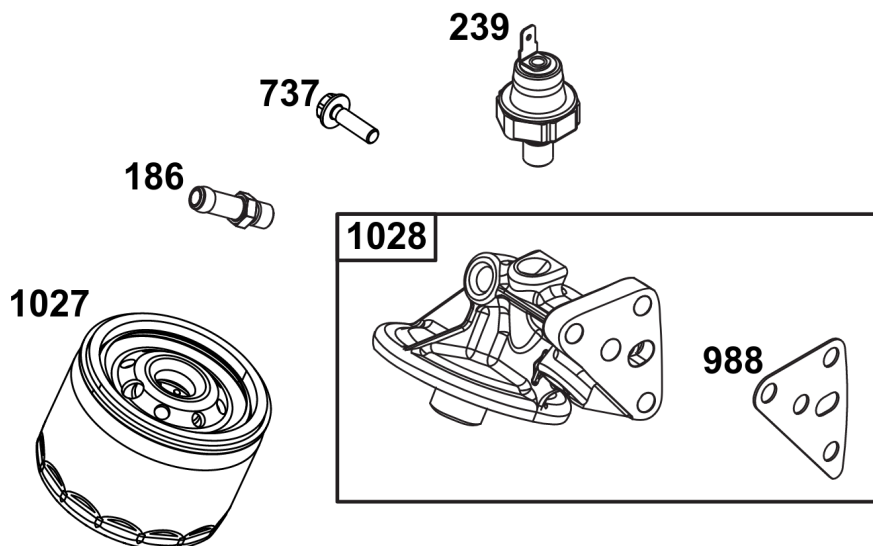
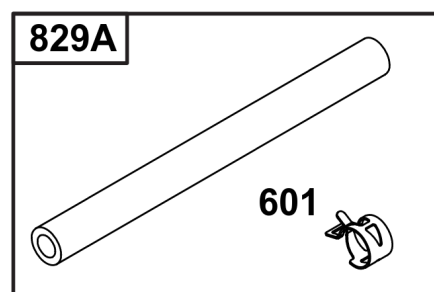
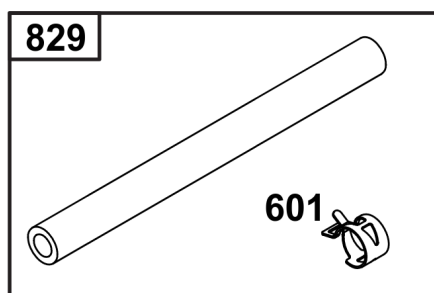
REF NO	PART NO	QTY	DESCRIPTION
23	845489	1	FLYWHEEL
58	66574	1	ROPE, Starter
59	805957	1	INSERT, Grip
60	808167	1	GRIP, Starter Rope
309	844717	1	MOTOR, Starter
332	690887	1	NUT -(Flywheel)
332	690939	4	NUT -(Flywheel)
333	84003819	2	ARMATURE, Magneto
334	692066	4	SCREW -(Magneto Armature)
363	19203	1	PULLER, Flywheel
455	841794	1	CUP, Flywheel
503	845016	1	STRAP, Starter
577	690795	1	CABLE, Starter
578	844547	1	WIRE ASSEMBLY
592	690939	4	NUT -(Rewind Starter)
608	841729	1	STARTER, Rewind
635	-----	1	BOOT, Spark Plug -(Part information located in Cylinder Head Group.)
678	841730	1	SPACER -(Rewind)
683	691029	2	NUT -(Starter Solenoid)
697	691902	2	SCREW -(Starter Motor) (Drive Cap)
727	841313	1	COVER, Starter Drive
732	690688	1	SCREW -(Starter Drive Cover)
732A	841233	1	SCREW -(Starter Drive Cover)
813	690635	1	CLAMP
901	846234	2	SCREW -(Rewind Spacer)
920	846820	1	SOLENOID, Starter
934	692062	6	SCREW -(Fan Retainer)
1005	841439	1	FAN, Flywheel
1006	690452	1	RETAINER, Fan
1420	841735	3	SCREW -(Flywheel Cup to Rewind Spacer)



Not For Production

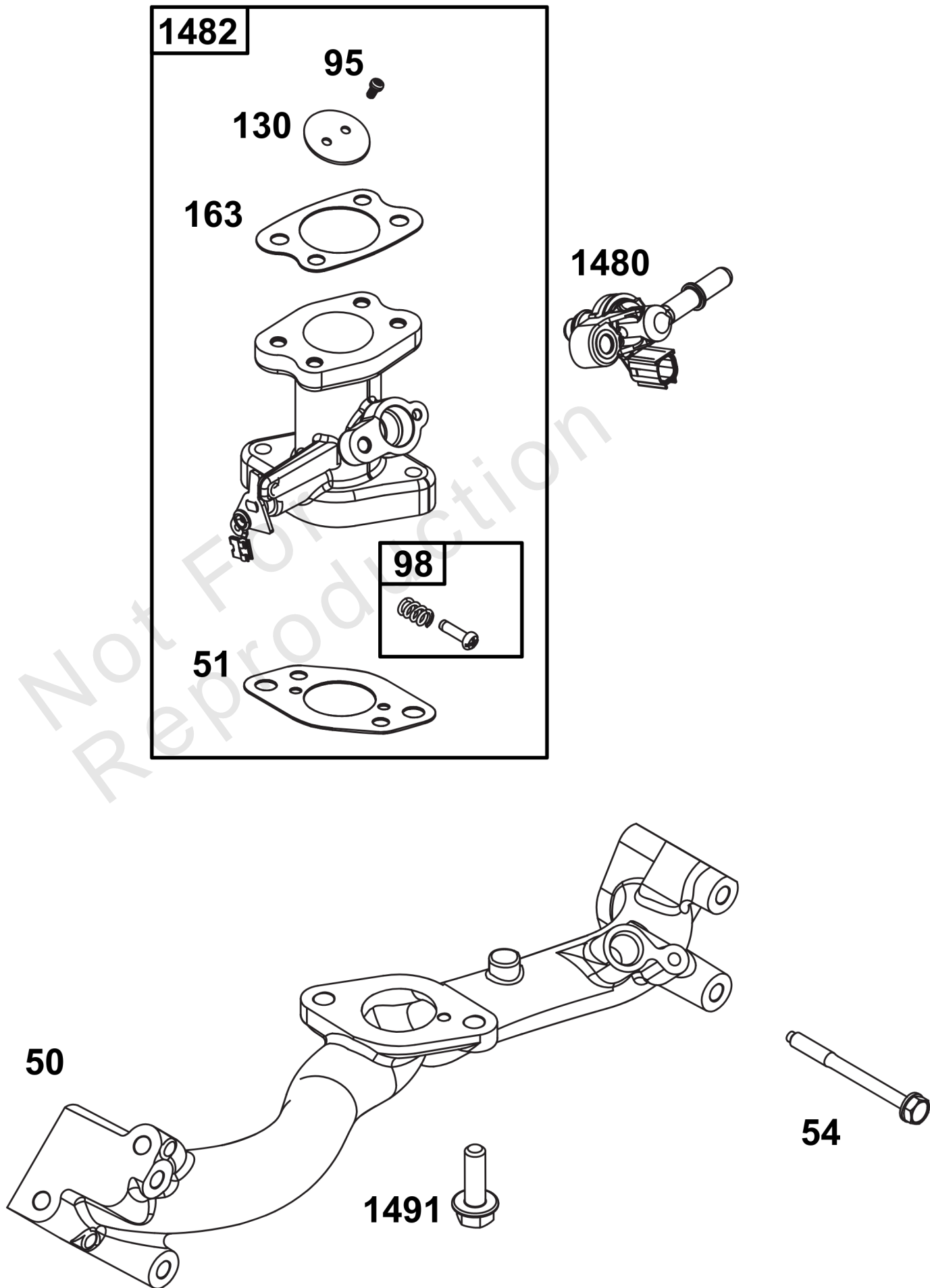
Fuel Supply Group

REF NO	PART NO	QTY	DESCRIPTION
187	846584	1	LINE, Fuel
187A	791766	1	LINE, Fuel
187B	847473	1	LINE, Fuel
240	845125	1	FILTER, Fuel
385	807084	2	SCREW -(Fuel Pump)
387	597338	1	PUMP, Fuel
480	692062	1	SCREW -(Tube Clamp)
527	845268	1	CLAMP, Hose
601	691038	2	CLAMP, Hose
601B	593879	1	CLAMP, Hose
628	806660	1	SCREW -(Fuel Pump Bracket)
788	691559	1	BRACKET, Fuel Pump
918	791880	1	HOSE, Vacuum
964	590799	1	CAP, Connector -Used Brfore Code Date 19010800
964	590799	1	CAP, Connector -Used Before Code Date 20020300
1425	847556	1	HOSE, Purge Line
1480	846618	1	INJECTOR, Fuel
1485	84006568	1	MODULE, Fuel
1497	84001967	1	BRACKET, Fuel Module
1498	84001969	4	SCREW -(Fuel Module Bracket)
1503	594618	3	SCREW -(Fuel Module)



Lubrication Group

REF NO	PART NO	QTY	DESCRIPTION
186	693184	2	CONNECTOR, Hose
239	841281	1	SWITCH, Oil Pressure
273	690681	2	SEAL, O-Ring -(Oil Pump)
287	806660	1	SCREW -(Dipstick Tube)
400	846489	1	COOLER, Oil
417	843345	2	SCREW -(Oil Cooler)
439	692154	1	O-RING, Oil Gallery -(Crankcase Cover/Sump or Cylinder Assembly)
448	841488	1	BRACKET, Oil Cooler
468	690690	1	SEAL, O-Ring -(Oil Pump Screen)
479	807084	1	SCREW -(Oil Pump Screen)
523	693175	1	DIPSTICK
524	693172	1	SEAL, O-Ring -(Dipstick Tube)
525	693174	1	TUBE, Dipstick
596	691492	2	SCREW -(Oil Pump)
601	841597	2	CLAMP, Hose
737	84006523	2	SCREW -(Oil Filter Adapter)
829	841999	1	HOSE/CLAMP ASSEMBLY
829A	841999	1	HOSE/CLAMP ASSEMBLY
988	692063	1	GASKET, Oil Adapter
1017	690900	1	SCREEN, Oil Pump
1024	843825	1	PUMP, Oil
1027	842921	1	FILTER, Oil
1028	843898	1	ADAPTER, Oil Filter
1155	806647	2	WASHER -(Oil Cooler)



Throttle Body Group

REF NO	PART NO	QTY	DESCRIPTION
50	-----	1	MANIFOLD, Intake -(Part information located in Cylinder Head Group.)
51	-----	2	GASKET, Intake -(Part information located in Cylinder Head Group.)
54	-----	4	SCREW -(Part information located in Cylinder Head Group.)
95	846644	2	SCREW -(Throttle Valve)
98	847139	1	KIT, Idle Speed
130	847262	1	VALVE, Throttle
163	-----	1	GASKET, Air Cleaner -(Part information located in Air Cleaner Group.)
1480	-----	1	INJECTOR, Fuel -(Part information located in Fuel Supply Group.)
1482	84006474	1	BODY, Throttle
1491	807382	2	SCREW -(Throttle Body)

Not For Reproduction

