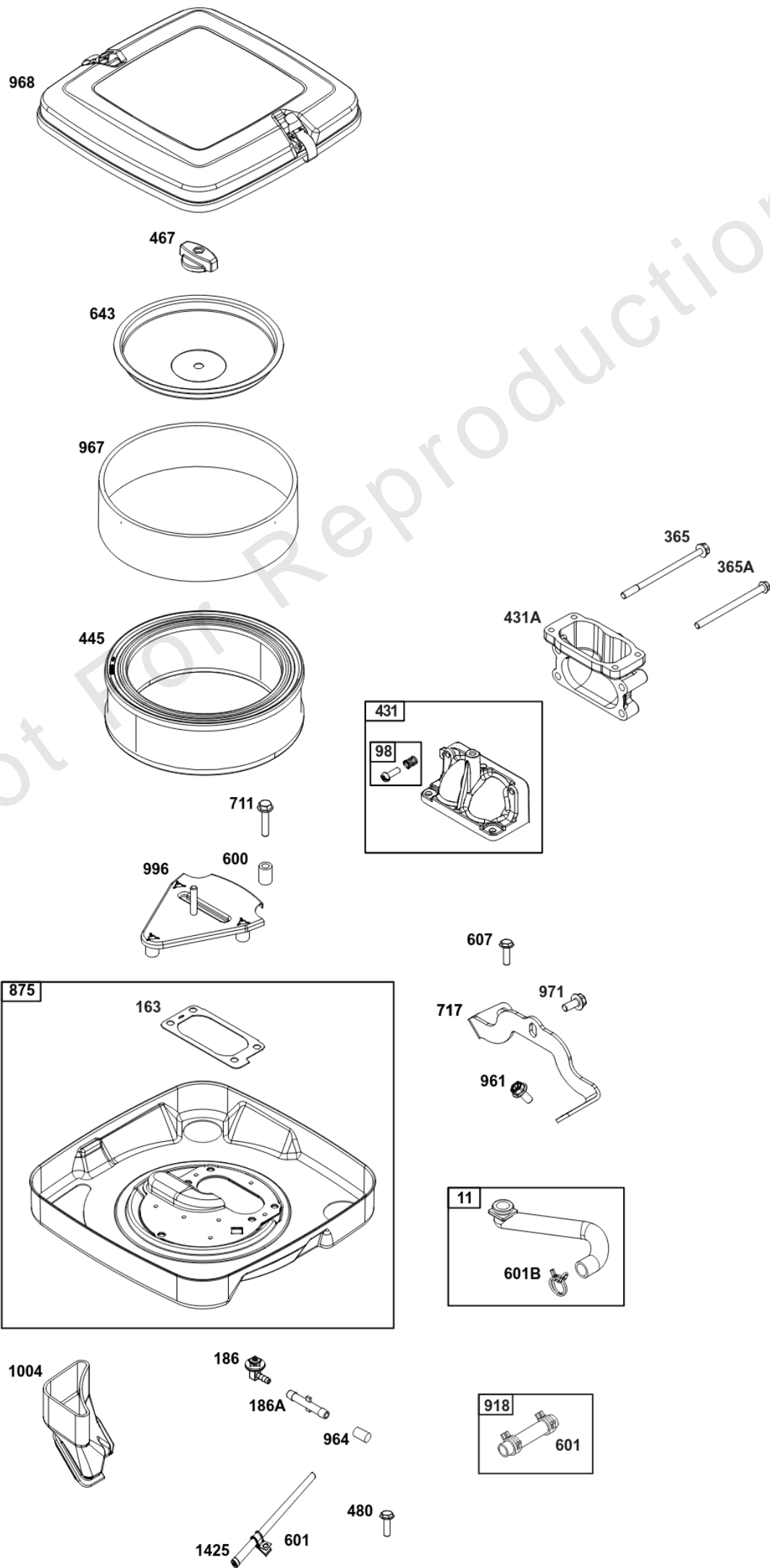




Parts Manual

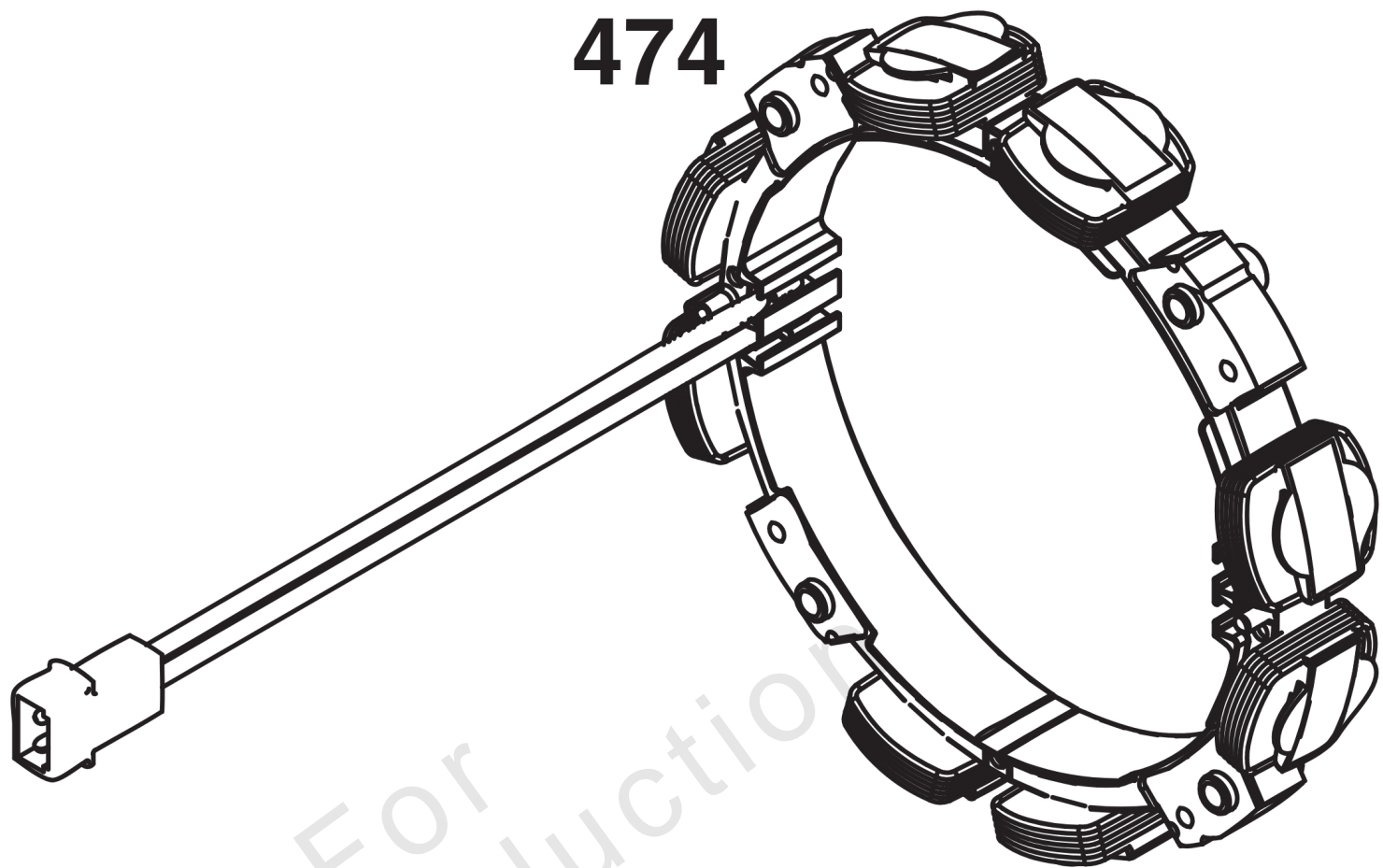
Mfg. No: 386447-0515-G1

Model Components	Page
Air Cleaner Group.....	4
Alternator Group.....	6
Blower Housing Group.....	8
Carburetor Group.....	10
Controls Group.....	12
Crankcase Cover/Sump Group.....	14
Crankshaft Group.....	16
Cylinder Group.....	18
Cylinder Head Group.....	20
Exhaust Group.....	24
Flywheel, Ignition, and Starter Group.....	26
Fuel Supply Group.....	28
Lubrication Group.....	30
Replacement Engine - US & Canada.....	32
Model 29, 30, 35 & 38 Engine Accessories Catalog.....	33
Maintenance Kits.....	34
Lubrication.....	36
Starter Motor Side Outlet Mufflers.....	38
Oil Filter Side Outlet Mufflers.....	40
Oil Filter Side Outlet Manifolds.....	42
Starter Motor Side Outlet Manifolds.....	44
Mufflers.....	46
Center Outlet Mufflers.....	48
Muffler Guards and Shields.....	50
Spark Arrestors and Deflectors.....	52
Muffler Mounting Hardware.....	54
Flywheel and Air Intake Guards.....	56
PTO.....	58
Electrical.....	60
Speed Control.....	62

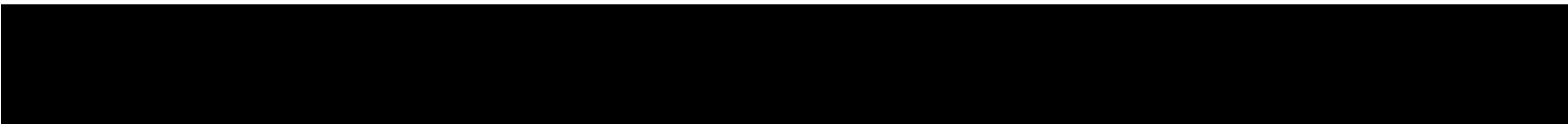
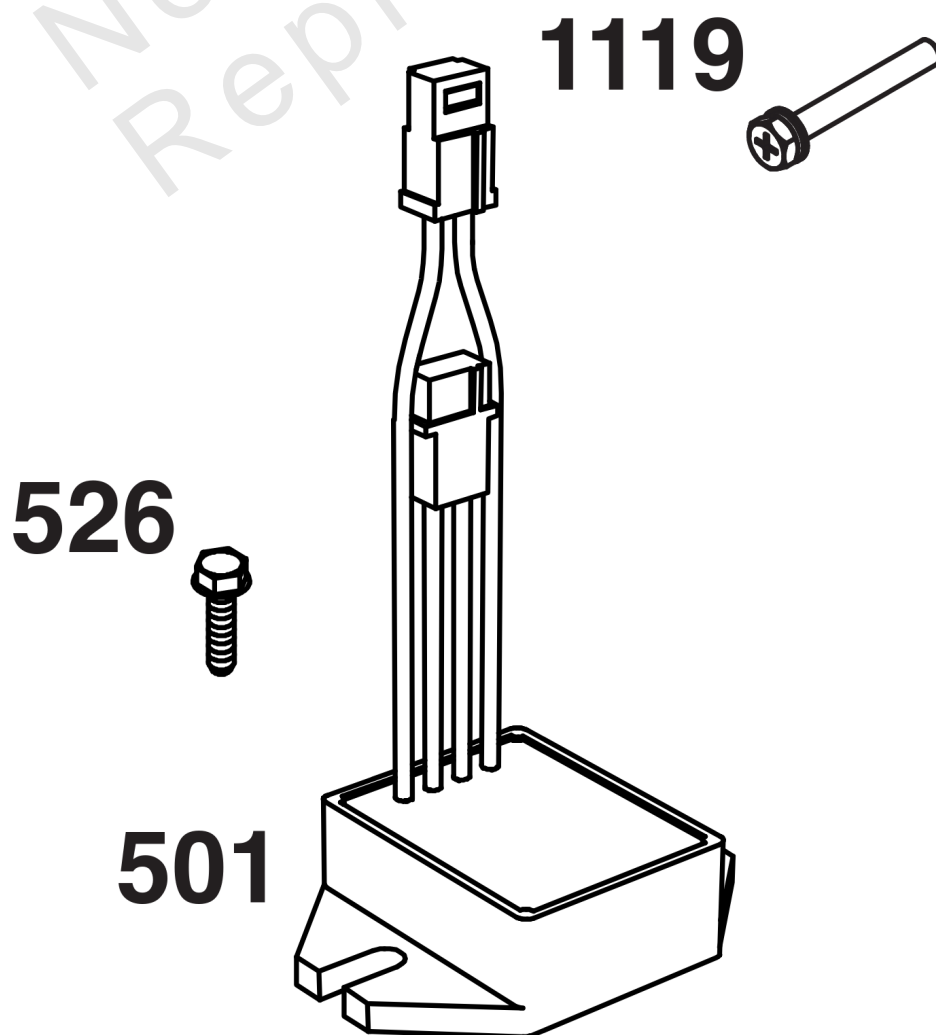


Air Cleaner Group

REF NO	PART NO	QTY	DESCRIPTION
11	806379	1	TUBE, Breather
98	843545	1	KIT, Idle Speed
98	843545	1	KIT, Idle Speed
163	692087	1	GASKET, Air Cleaner
186	845141	1	CONNECTOR, Hose
186A	845121	1	CONNECTOR, Hose
365	-----	2	SCREW -(Part information located in Carburetor Group.)
365A	-----	2	SCREW -(Part information located in Carburetor Group.)
431	808659	1	MANIFOLD, Intake
431A	691534	1	MANIFOLD, Intake
445	692519	1	FILTER, A/C Cartridge
467	846431	1	KNOB, Air Cleaner Cover
480	806660	1	SCREW -(Tube Clamp)
600	845213	1	SPACER, Air Cleaner
601	845268	1	CLAMP, Hose
601B	691145	1	CLAMP, Hose
607	841233	1	SCREW -(Air Cleaner Brace)
643	844932	1	RETAINER, Air Cleaner
711	691492	5	SCREW -(Carburetor Shield)
717	843332	1	BRACKET, Air Cleaner
875	845216	1	BASE, Air Cleaner
918	791880	1	HOSE, Vacuum
961	807084	2	SCREW -(Air Cleaner Bracket)
964	807468	1	CAP, Carburetor
967	692520	1	FILTER, Pre Cleaner
968	808654	1	COVER, Air Cleaner
971	807084	1	SCREW -(Air Cleaner Base To Carburetor/Throttle Body)
996	845212	1	SHIELD, Carburetor
1004	806422	1	DUCT-AIR
1425	844712	1	HOSE, Purge Line



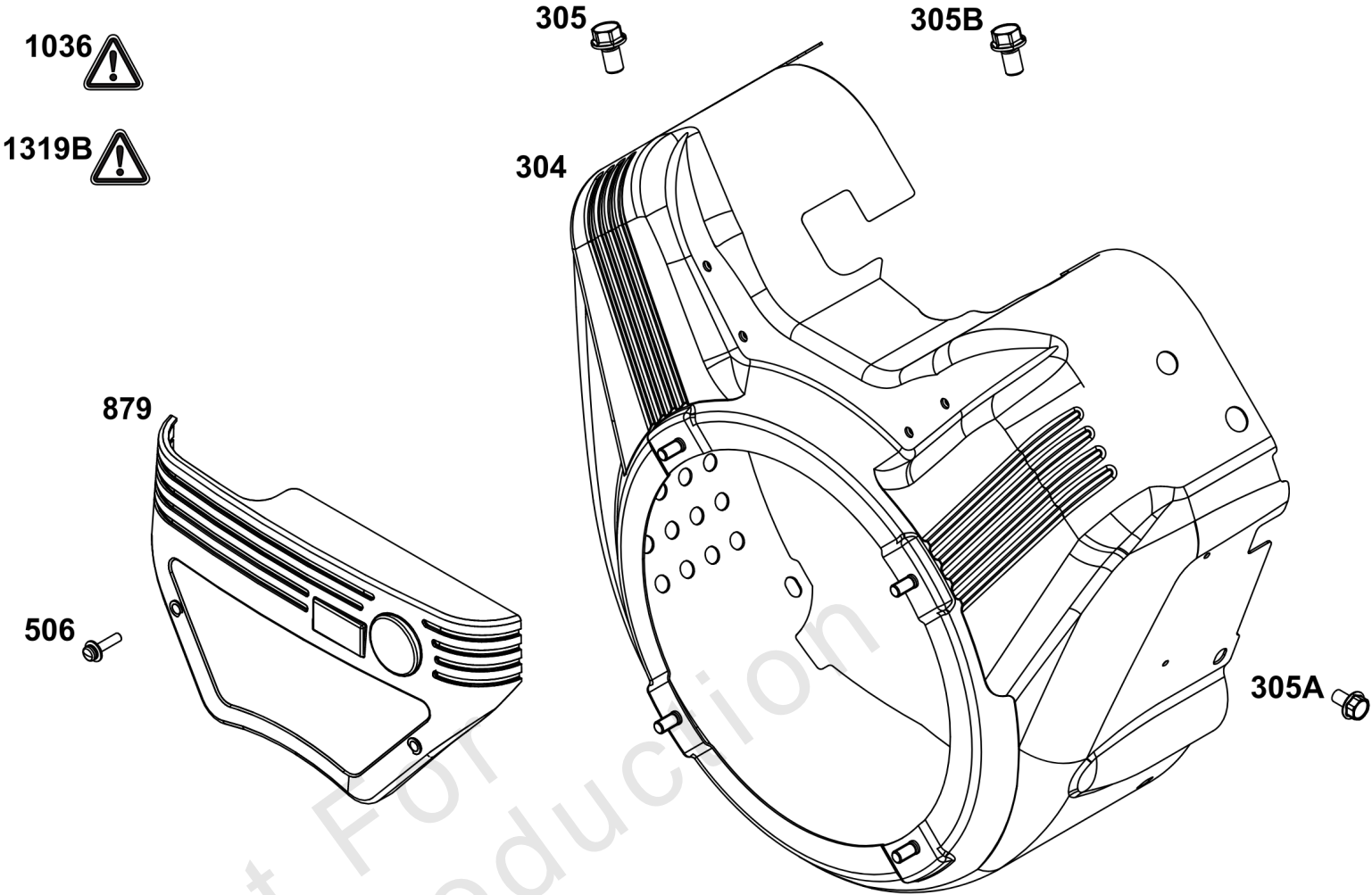
Not For
Reproduction



Alternator Group

REF NO	PART NO	QTY	DESCRIPTION
474	592830	1	ALTERNATOR
501	845907	1	REGULATOR
526	692067	2	SCREW -(Regulator)
1119	691552	4	SCREW -(Alternator)

Not For Reproduction

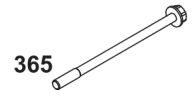
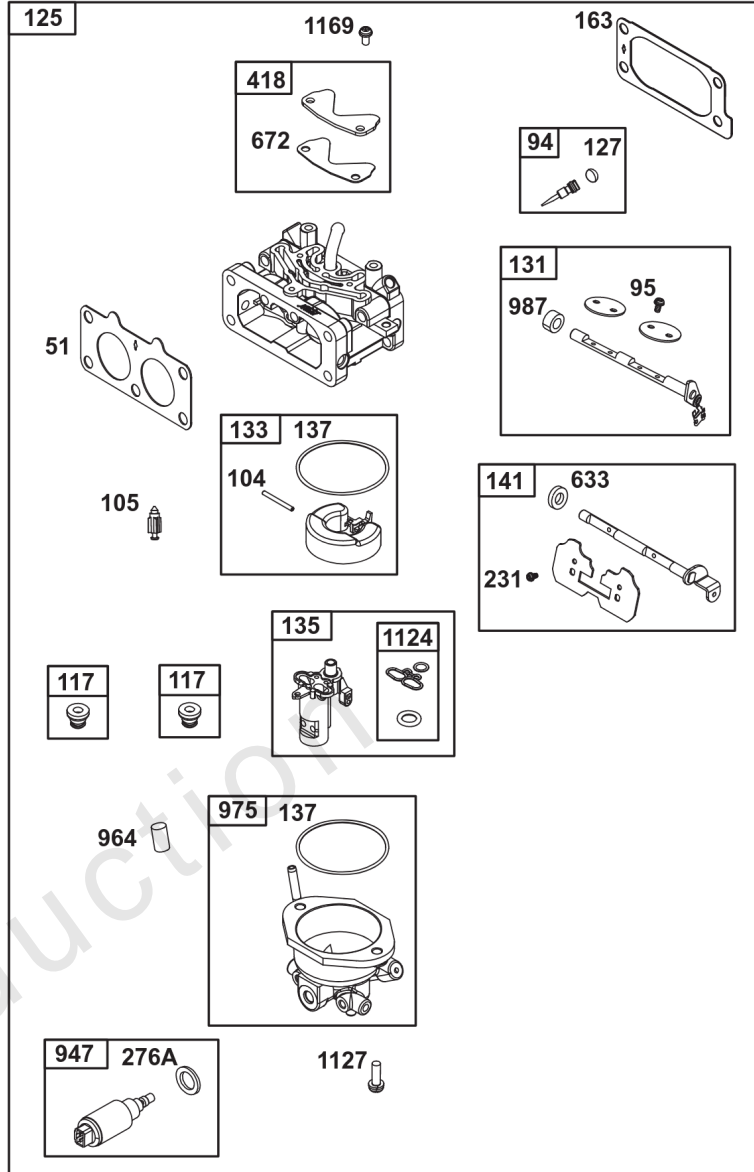
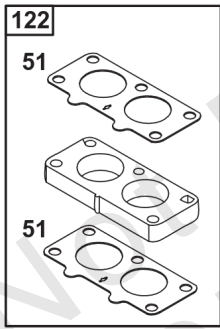
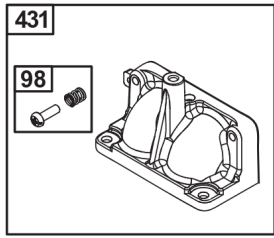
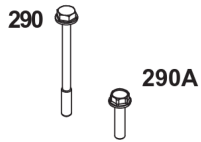
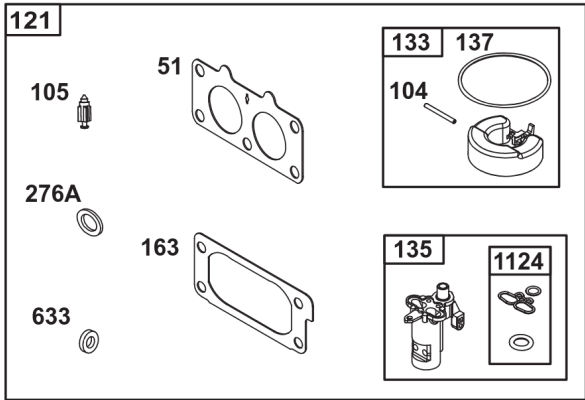


Not For
Reproduction

Blower Housing Group

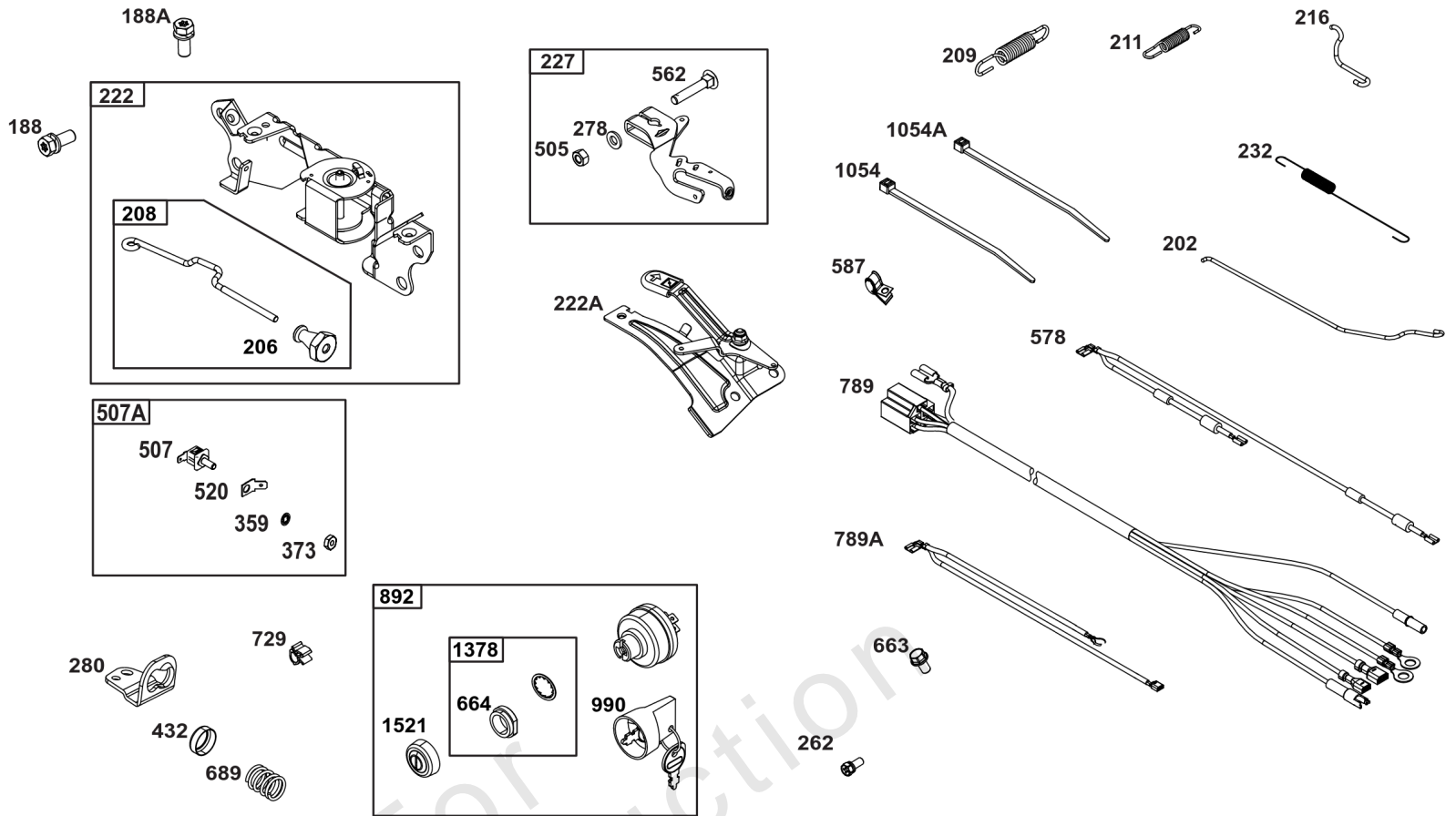
REF NO	PART NO	QTY	DESCRIPTION
304	841489	1	HOUSING, Blower
305	692056	4	SCREW -(Blower Housing)
305A	841233	4	SCREW -(Blower Housing)
305B	692062	6	SCREW -(Blower Housing)
506	807120	2	SCREW -Per TC. Serviced by component 806989
879	841607	1	COVER, Carburetor/EFI
1036	-----	1	LABEL, Emissions -(Available From A Briggs & Stratton Authorized Service Dealer)
1319B	278911GS	1	LABEL, Warning -(Required When Replacing Parts With Warning Labels Affixed)

Not For Reproduction



Carburetor Group

REF NO	PART NO	QTY	DESCRIPTION
51	-----	3	GASKET, Intake -(Part information located in Cylinder Head Group.)
94	844593	2	KIT, Idle Mixture
95	690718	6	SCREW -(Throttle Valve)
98	-----	1	KIT, Idle Speed -(Part information located in Air Cleaner Group.)
104	844598	1	PIN, Float Hinge
105	698537	1	VALVE, Float Needle
117	842628	1	JET, Main -(Standard) (Left Jet)
117	699457	1	JET, Main -(Standard) (Right Jet)
118	699820	1	JET, Main -(High Altitude) (Left Jet)
118	699458	1	JET, Main -(High Altitude) (Right Jet)
121	843103	1	KIT, Carburetor Overhaul -(Service Kits can include parts not for this engine.)
122	690870	1	SPACER, Carburetor
125	845280	1	CARBURETOR
127	844590	2	PLUG, Welch
131	845240	2	KIT, Throttle Shaft
133	845291	1	FLOAT, Carburetor
135	842677	1	TUBE, Fuel Transfer
137	841651	1	GASKET, Float Bowl
141	843100	1	KIT, Choke Shaft
163	-----	1	GASKET, Air Cleaner -(Part information located in Air Cleaner Group.)
216	691542	1	LINK, Choke
231	690718	6	SCREW -(Choke Valve)
276A	695410	1	WASHER, Sealing
290	691537	1	SCREW
290A	691492	2	SCREW
365	847021	2	SCREW -(Carburetor/Throttle Body)
365A	690866	2	SCREW -(Carburetor/Throttle Body)
418	844589	1	PLATE, Carburetor Cover
431	-----	1	ELBOW, Intake -(Part information located in Air Cleaner Group.)
633	690722	1	SEAL, Choke/Throttle Shaft
672	843102	1	GASKET, Carburetor Plate
947	845654	1	SOLENOID, Fuel
964	-----	1	CAP, Connector -(Part information located in Air Cleaner Group.)
975	844591	1	BOWL, Float
987	691000	1	SEAL-THROTTLE SHAFT
1124	842678	1	SEAL, O-Ring
1127	841621	2	SCREW -(Float Bowl To Carburetor Body)
1169	690990	2	SCREW -(Carburetor Cover Plate)

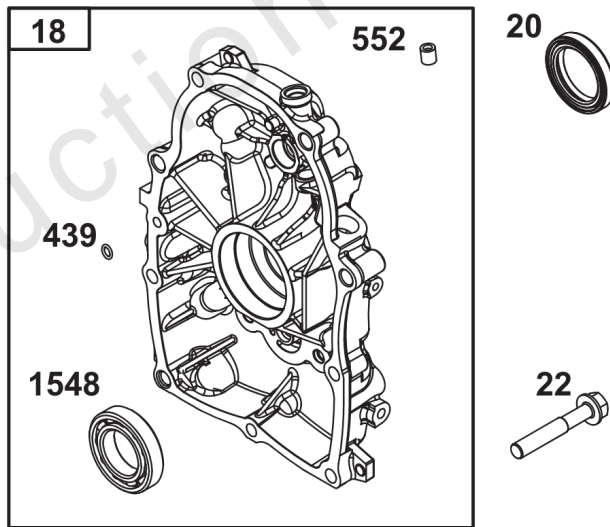
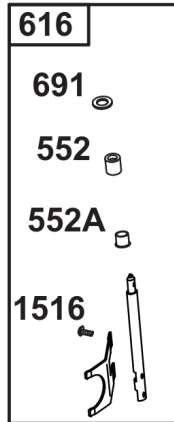




Controls Group

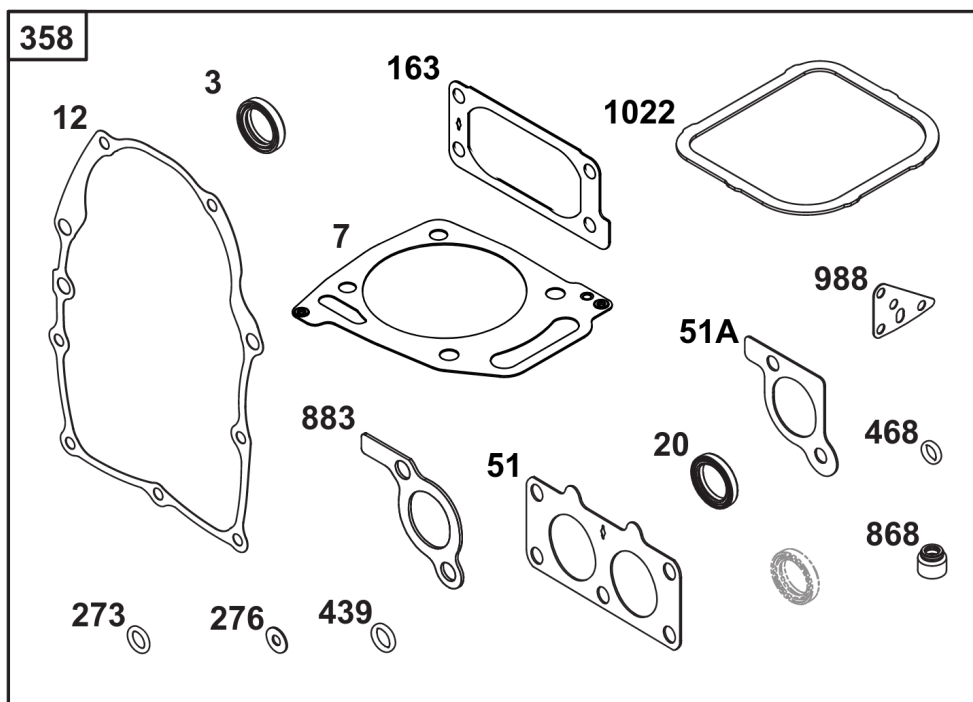
REF NO	PART NO	QTY	DESCRIPTION
188	692062	4	SCREW -(Control Bracket)
188A	691902	2	SCREW -(Control Bracket)
202	691536	1	LINK, Mechanical Governor
206	691244	1	NUT, Governor Adjusting
208	808453	1	ROD, Governor Control
209	691546	1	SPRING, Governor
211	690707	1	SPRING, Governed Idle
216	-----	1	LINK, Choke -(Part information located in Carburetor Group.)
222	808454	1	BRACKET, Control
222A	808753	1	CRANK, Bell
227	845484	1	LEVER, Governor Control
232	691538	1	SPRING/LINK, Governor
262	841552	1	SCREW
278	842122	1	WASHER -(Governor Control Lever)
280	691526	1	BRACKET, Fixed Speed
359	691077	1	WASHER -(Ground Terminal)
373	845823	1	NUT -(Ground Terminal)
432	691509	1	CAP, Spring
505	844752	1	NUT -(Governor Control Lever)
507	691972	1	INSULATOR
507A	848341	1	CONNECTOR, Terminal
520	691084	1	TERMINAL, Ground
562	690239	1	BOLT -(Governor Control Lever)
578	844547	1	WIRE ASSEMBLY
587	690423	2	CLAMP, Tube
663	841552	2	SCREW -(Control Panel)
664	691087	1	NUT -(Key Switch)
689	691272	1	SPRING, Friction
729	593826	1	CLIP, Wire
789	691996	1	HARNESS, Wiring
789A	844914	1	HARNESS, Wiring
892	847448	1	SWITCH, Key
990	691959	1	SET, Key
1054	280275	2	TIE, Cable
1054A	5021029SM	1	TIE WRAP, 11" Long
1378	847144	1	WASHER/NUT SET
1521	847150	1	CAP, Switch

614 

404 

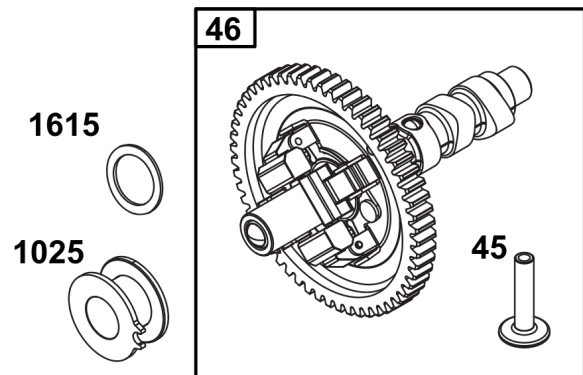
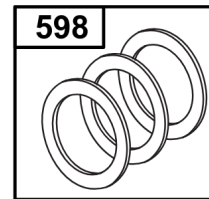
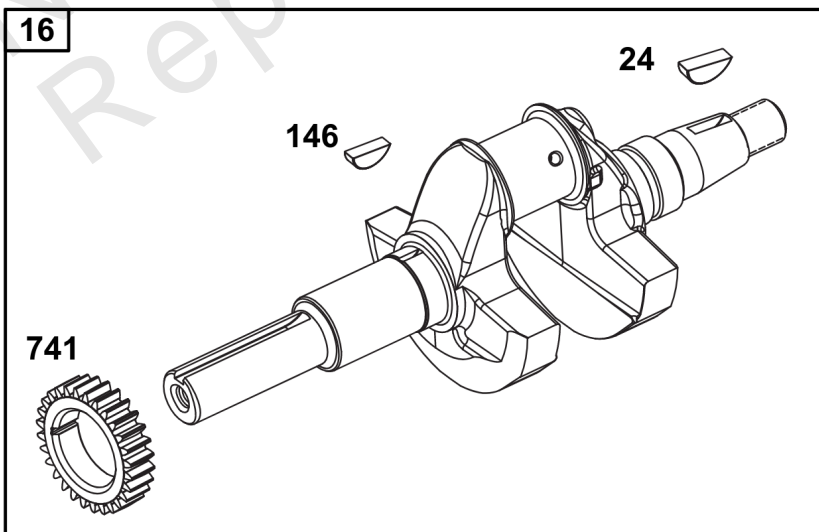
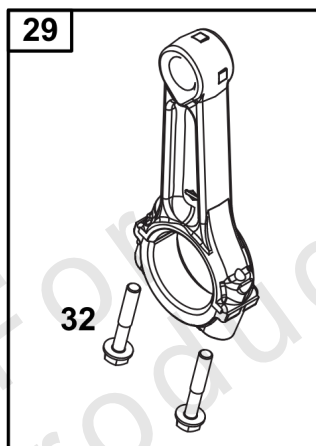
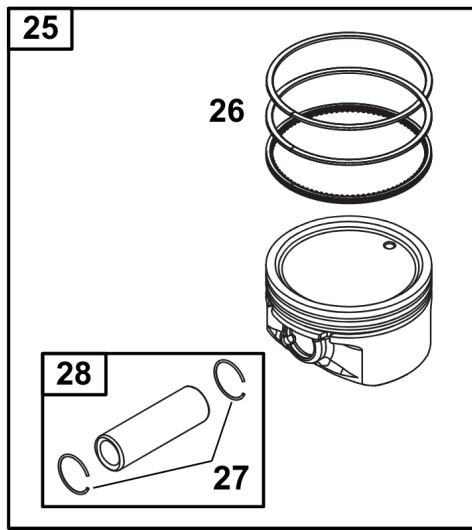


85  86 



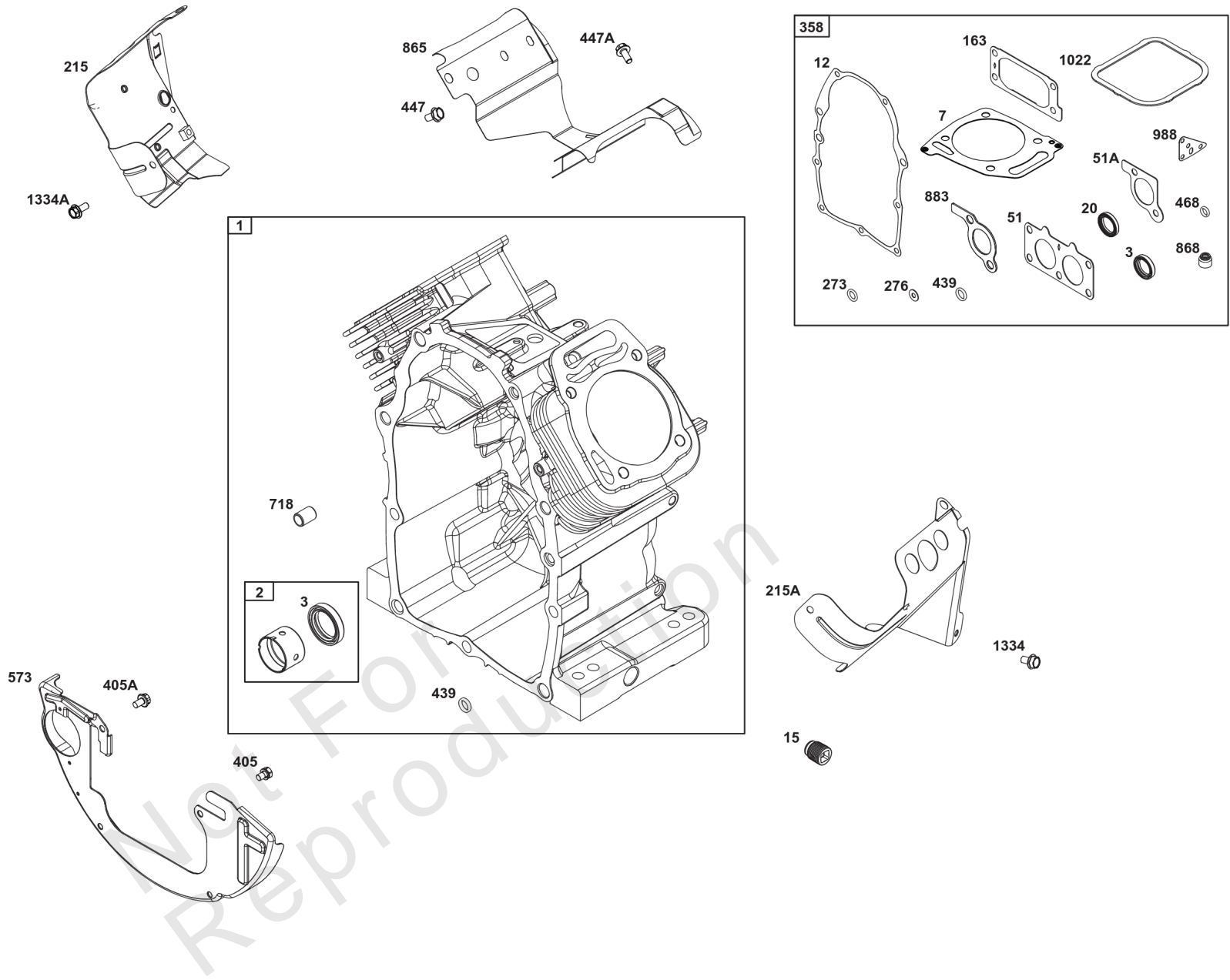
Crankcase Cover/Sump Group

REF NO	PART NO	QTY	DESCRIPTION
3	-----	1	SEAL, Oil -(Part information located in Cylinder Group.)
7	-----	2	GASKET, Cylinder Head -(Part information located in Cylinder Head Group.)
12	846487	1	GASKET, Crankcase
18	84004412	1	COVER, Crankcase
20	805049S	1	SEAL, Oil -(PTO Side)
22	807362	9	SCREW -(Crankcase Cover/Sump)
51	-----	3	GASKET, Intake -(Part information located in Cylinder Head Group.)
51A	-----	2	GASKET, Intake -(Part information located in Cylinder Head Group.)
85	841233	2	SCREW -(Gear Cover)
86	690745	1	COVER, Gear
163	-----	2	GASKET, Air Cleaner -(Part information located in Air Cleaner Group.)
273	690681	2	SEAL, O-Ring -(Part information located in Lubrication Group.)
276	-----	4	WASHER, Sealing -(Part information located in Cylinder Head Group.)
358	-----	1	GASKET SET, Engine -(Part information located in Cylinder Group.)
404	690704	1	WASHER -(Governor Crank)
439	692154	1	O-RING, Oil Gallery -(Crankcase Cover/Sump or Cylinder Assembly)
468	690690	1	SEAL, O-Ring -(Oil Pump Screen)
552	690701	1	BUSHING, Governor Crank
552A	806686	1	BUSHING, Governor Crank
614	691550	1	PIN, Cotter
616	806685	1	CRANK, Governor
691	842826	1	SEAL, Governor Shaft
868	-----	2	SEAL, Valve -(Part information located in Cylinder Head Group.)
883	-----	2	GASKET, Exhaust -(Part information located in Exhaust Group.)
988	-----	1	GASKET, Oil Adapter -(Part information located in Lubrication Group.)
1022	-----	2	GASKET, Rocker Cover -(Part information located in Cylinder Head Group.)
1516	846459	1	SCREW -(Governor Crank)
1548	843827	2	BEARING, Ball -(Crankcase Cover/Sump)



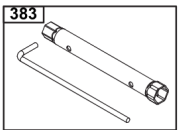
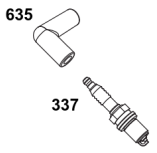
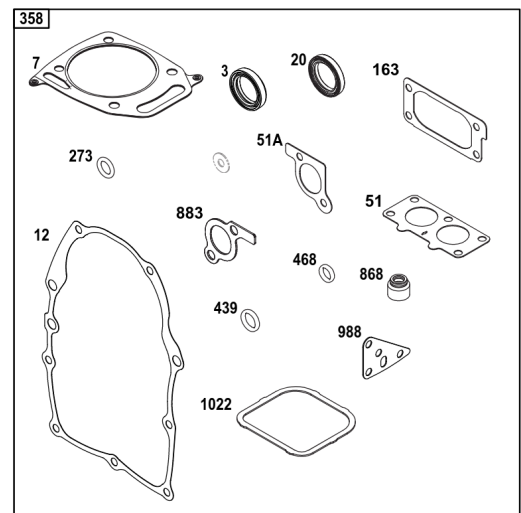
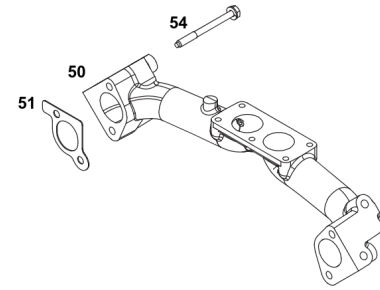
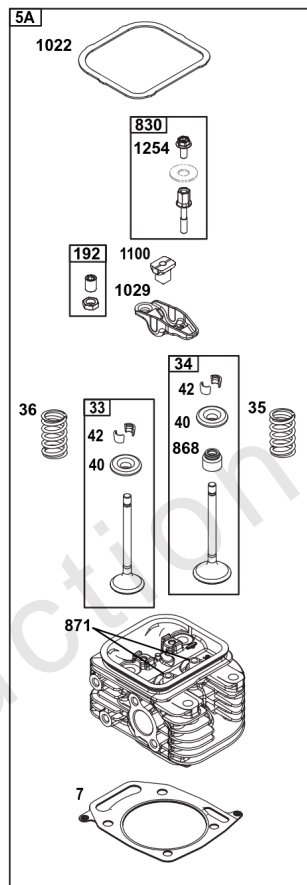
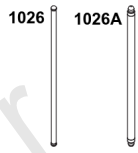
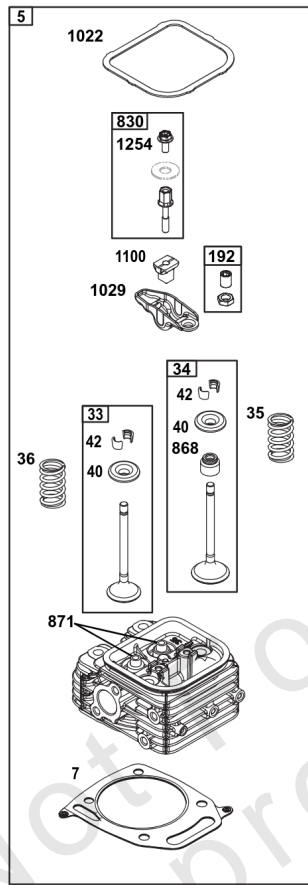
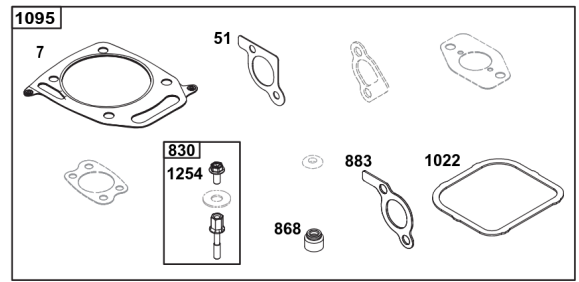
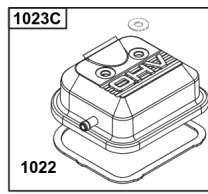
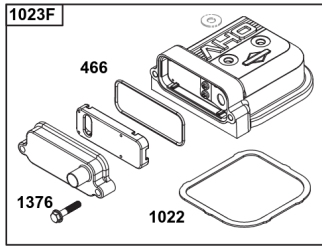
Crankshaft Group

REF NO	PART NO	QTY	DESCRIPTION
16	84004533	1	CRANKSHAFT ASSEMBLY
24	808095	1	KEY, Flywheel
25	843805	1	PISTON ASSEMBLY
26	843806	1	SET, Ring
27	690683	4	LOCK, Piston Pin
28	593650	2	PIN, Piston
29	807900S	2	ROD, Connecting
32	690698	4	SCREW -(Connecting Rod)
45	-----	4	TAPPET, Valve -(Part information located in Cylinder Head Group.)
46	690927	1	CAMSHAFT
146	691639	1	KEY, Woodruff
357	691483	1	KEY, Drive Pulley
598	807625	3	SHIM, End Play -(Crankshaft or Camshaft Bearing)
741	846085	1	GEAR, Timing
1025	690689	1	SPOOL, Governor
1615	84007613	1	WASHER -(Governor Spool)



Cylinder Group

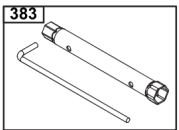
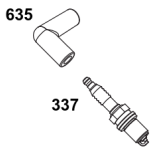
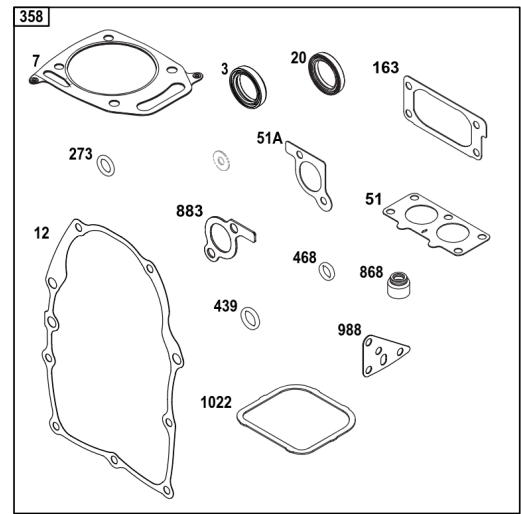
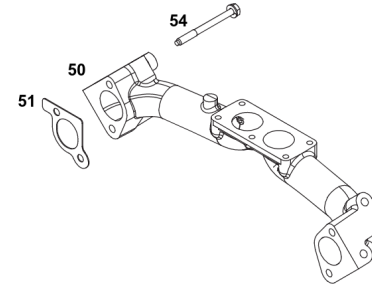
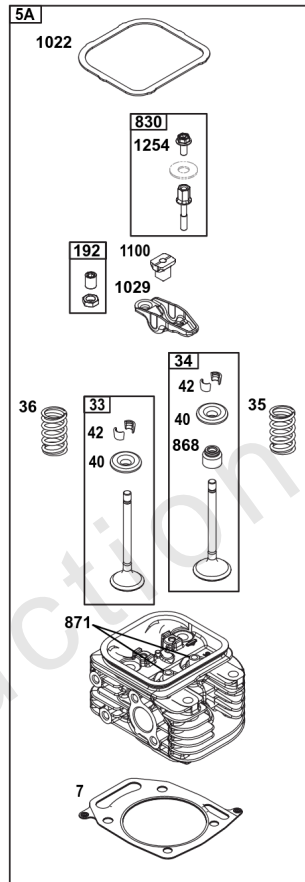
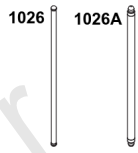
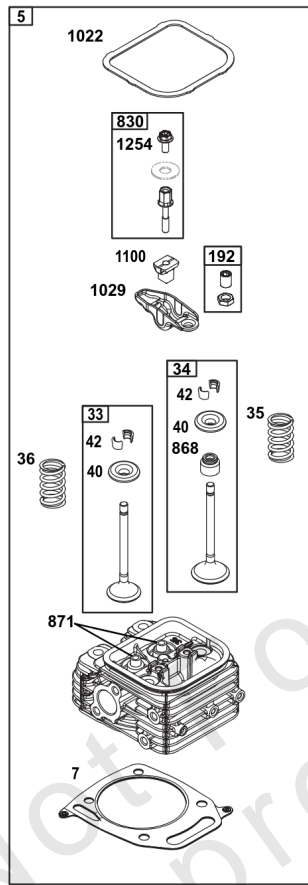
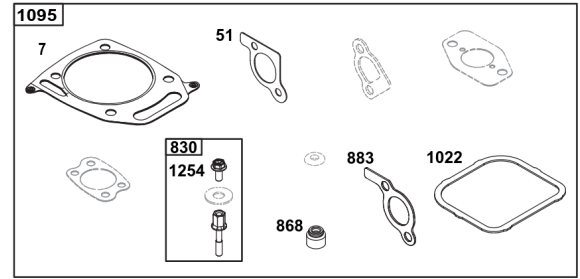
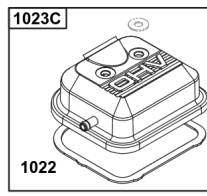
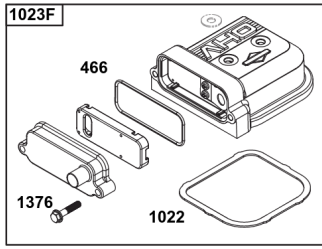
REF NO	PART NO	QTY	DESCRIPTION
1	84004606	1	CYLINDER ASSEMBLY
2	808534	1	KIT, Bushing/Seal -(Magneto Side)
3	845659	1	SEAL, Oil -(Magneto Side)
7	-----	2	GASKET, Cylinder Head -(Part information located in Cylinder Head Group.)
12	-----	1	GASKET, Crankcase -(Part information located in Crankcase Cover/Sump Group.)
15	690946	1	PLUG, Oil Drain
20	-----	1	SEAL, Oil -Part information located in Crankcase Cover/Sump Group.)
51	-----	1	GASKET, Intake -(Part information located in Cylinder Head Group.)
51A	-----	1	GASKET, Intake -(Part information located in Cylinder Head Group.)
163	-----	1	GASKET, Air Cleaner -(Part information located in Air Cleaner Group.)
215	841183	1	GUIDE, Air
215A	841182	1	GUIDE, Air
273	-----	1	SEAL, O-Ring -Part information located in Lubrication Group.)
276	-----	1	WASHER, Sealing -(Part information located in Cylinder Head Group.)
358	84006737	1	GASKET SET, ENGINE -(Service Kits can include parts not for this engine.)
405	807163	4	SCREW -(Back Plate)
405A	841233	3	SCREW -(Back Plate)
439	-----	1	O-RING, Oil Gallery -(Part information located in Crankcase Cover/Sump Group.)
447	841233	2	SCREW -(Air Guide Cover)
447A	807084	2	SCREW -(Air Guide Cover)
468	-----	1	SEAL, O-Ring -Part information located in Lubrication Group.)
573	841310	1	PLATE, Back
718	806469	2	PIN, Locating
865	843768	1	COVER, Air Guide
868	-----	2	SEAL, Valve -(Part information located in Cylinder Head Group.)
883	-----	1	GASKET, Exhaust -(Part information located in Exhaust Group.)
988	-----	1	GASKET, Oil Adapter -(Part information located in Lubrication Group.)
1022	-----	1	GASKET, Rocker Cover -(Part information located in Cylinder Head Group.)
1334	841233	2	SCREW -(Air Guide)
1334A	807084	4	SCREW -(Air Guide)



Not for Reproduction

Cylinder Head Group

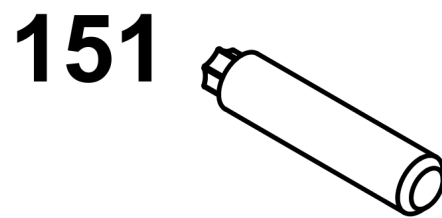
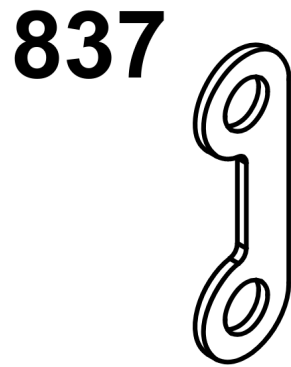
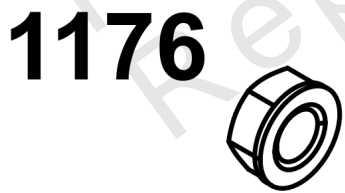
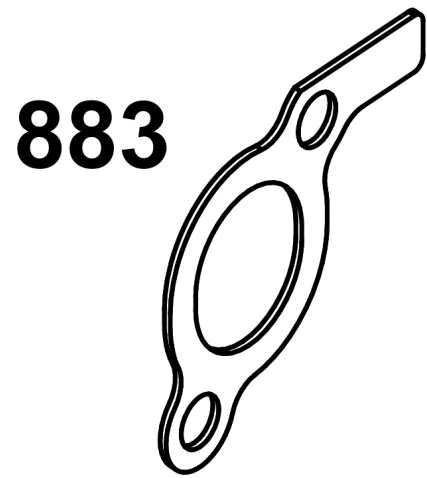
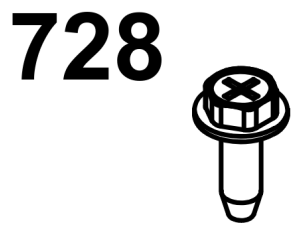
REF NO	PART NO	QTY	DESCRIPTION
3	-----	1	SEAL, Oil -(Part information located in Cylinder Group.)
5	84002012	1	HEAD, Cylinder
5A	84002013	1	HEAD, Cylinder
6	84005965	8	WASHER
7	84006734	2	GASKET, Cylinder Head
12	-----	1	GASKET, Crankcase -(Part information located in Crankcase Cover/Sump Group.)
13	842618	8	SCREW -(Cylinder Head)
20	-----	1	SEAL, Oil -(Part information located in Crankcase Cover/Sump Group.)
21	809500	1	CAP, Oil Fill
33	843752	2	VALVE, Exhaust
34	845712	2	VALVE, Intake
35	692084	2	SPRING, Valve -(Intake)
36	692084	2	SPRING, Valve -(Exhaust)
40	692058	4	RETAINER, Valve
42	807683	8	KEEPER, Valve
45	843379	4	TAPPET, Valve
50	806376	1	MANIFOLD, Intake
51	690950	3	GASKET, Intake
51A	806418	2	GASKET, Intake
54	806444	4	SCREW -(Intake Manifold)
163	-----	1	GASKET, Air Cleaner -(Part information located in Air Cleaner Group.)
192	807623	4	ADJUSTER, Rocker Arm
192	807623	4	ADJUSTER, Rocker Arm
273	-----	2	SEAL, O-Ring -(Part information located in Lubrication Group.)
337	792015	2	PLUG, Spark
358	-----	1	GASKET SET, Engine -(Part information located in Cylinder Group.)
383	19576S	1	WRENCH, Spark Plug
437	691902	4	SCREW -(Part information located in Exhaust Group.)
439	-----	1	O-RING, Oil Gallery -(Part information located in Crankcase Cover/Sump Group.)
466	806466	1	SEAL, O-Ring -(Breather Assembly)
468	-----	1	SEAL, O-Ring -(Part information located in Lubrication Group.)
635	84005066	2	BOOT, Spark Plug
830	809157	4	STUD, Rocker Arm
868	691963	2	SEAL, Valve
871	692057	2	BUSHING, Valve Guide
883	-----	2	GASKET, Exhaust -(Part information located in Exhaust Group.)
988	-----	1	GASKET, Oil Adapter -(Part information located in Lubrication Group.)
1022	806039S	2	GASKET, Rocker Cover
1023C	690910	1	COVER, Rocker
1023F	84008553		COVER, Rocker



Cylinder Head Group

REF NO	PART NO	QTY	DESCRIPTION
1026	691836	2	ROD, Push -(Intake)
1026A	691758	2	ROD, Push -(Exhaust)
1029	807323	4	ARM, Rocker
1095	842662	1	GASKET SET, Valve -(Service Kits can include parts not for this engine.)
1100	791959	4	PIVOT, Rocker Arm
1254	807084	4	SCREW -(Rocker Arm Stud)
1376	806421	2	SCREW -(Breather Reed Cover)

Not For Reproduction

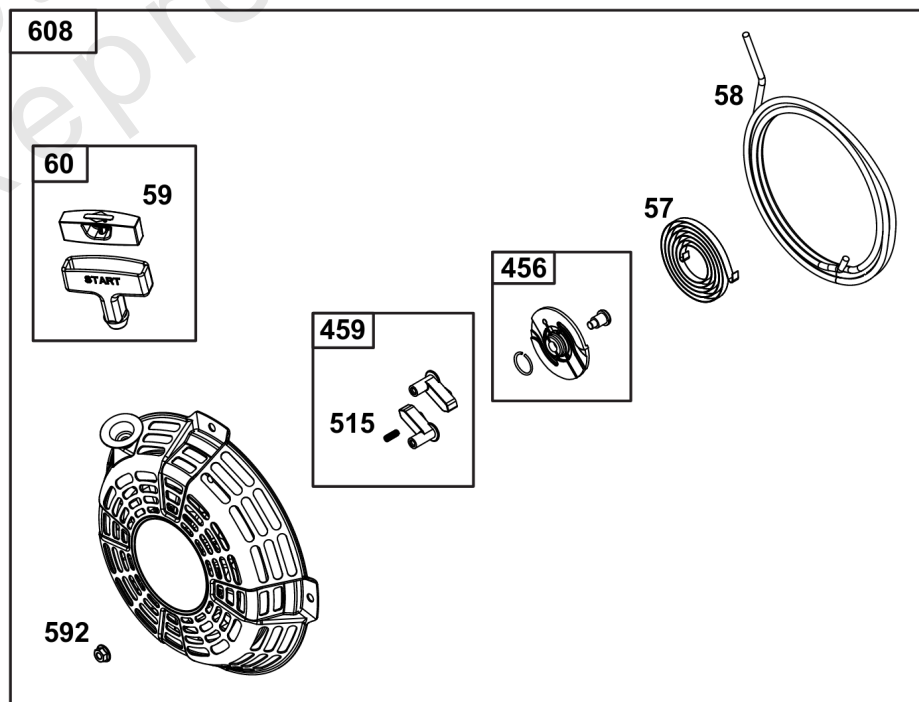
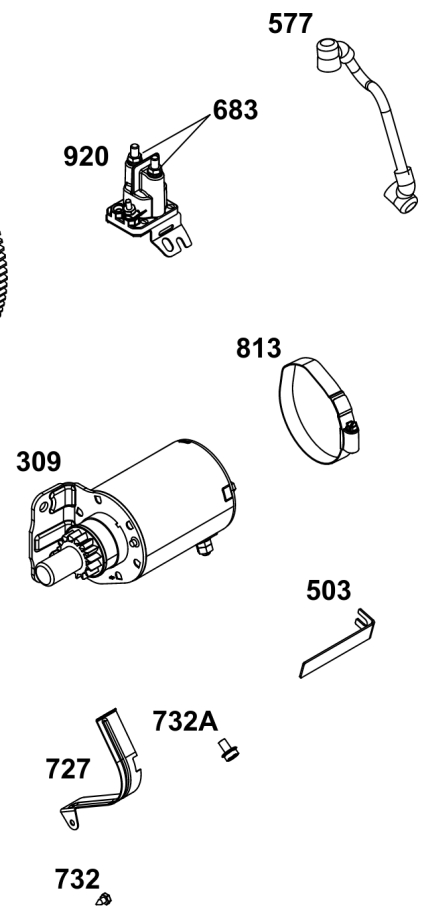
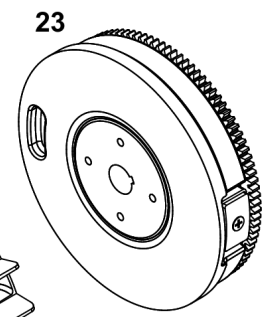
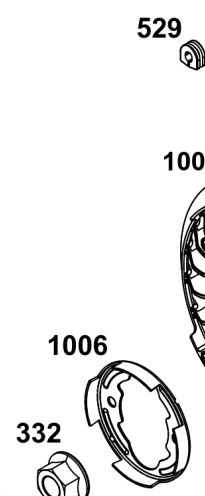
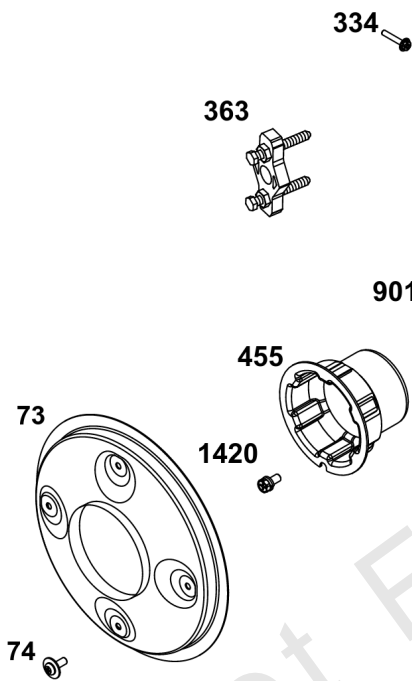
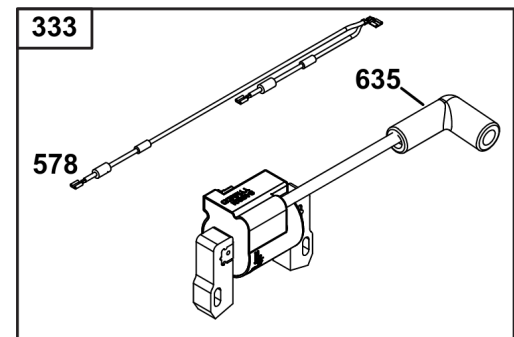


Not For
Reproduction

Exhaust Group

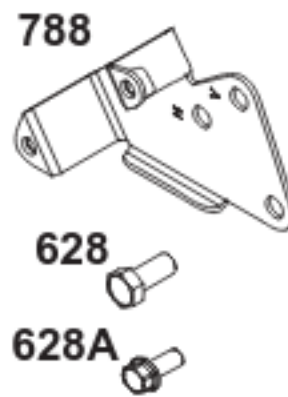
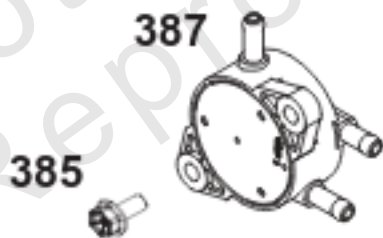
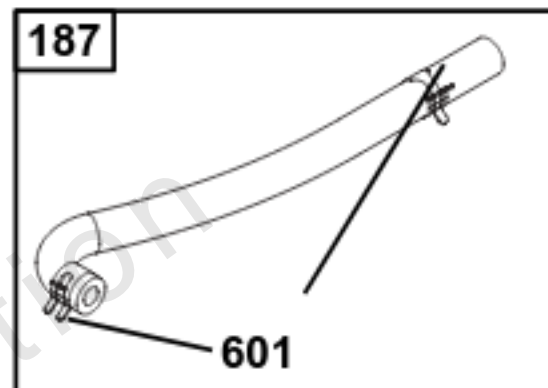
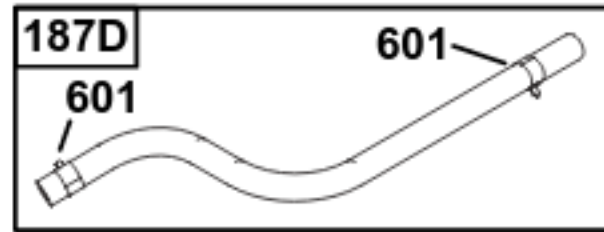
REF NO	PART NO	QTY	DESCRIPTION
437	691902	4	SCREW -(Exhaust Manifold)
728	692067	4	SCREW -(Heat Shield)
819	692056	3	SCREW -(Muffler Bracket)
837	808085	1	SPACER, Muffler
883	806425	2	GASKET, Exhaust
151	84006950	4	STUD -(Exhaust Manifold)
1176	842067	4	NUT -(Exhaust Manifold)

Not For Reproduction



Flywheel, Ignition, and Starter Group

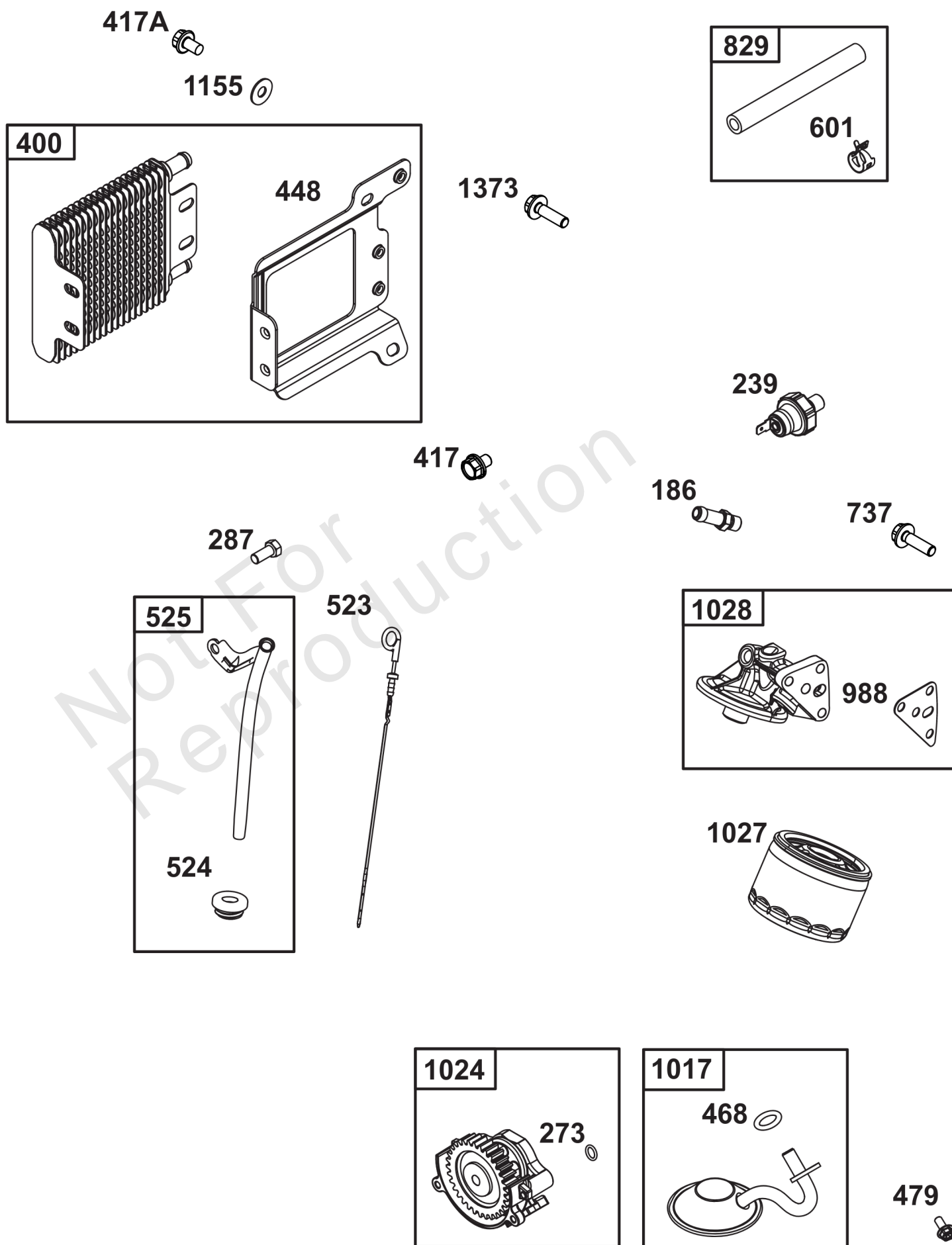
REF NO	PART NO	QTY	DESCRIPTION
23	841050	1	FLYWHEEL ASSEMBLY
57	692086	1	SPRING, Rewind Starter
58	66574	1	ROPE, Starter
59	805957	1	INSERT, Grip
60	808167	1	GRIP, Starter Rope
73	841662	1	SCREEN, Rotating
74	841441	4	SCREW -(Rotating Screen)
309	844717	1	MOTOR, Starter
332	690887	1	NUT -(Flywheel)
333	84003819	2	ARMATURE, Magneto
334	692066	1	SCREW -(Magneto Armature)
363	19203	1	PULLER, Flywheel
455	841794	1	CUP, Flywheel
456	845219	1	PLATE, Pawl Friction
459	845218	2	PAWL, Ratchet
503	845016	1	STRAP, Starter
515	691528	2	SPRING, Pawl
529	690744	2	GROMMET
577	690795	1	CABLE, Starter
578	-----	1	WIRE ASSEMBLY -(Part information located in Controls Group.)
592	690939	4	NUT -(Rewind Starter)
608	841729	1	STARTER, Rewind
635	-----	1	BOOT, Spark Plug -(Part information located in Cylinder Head Group.)
678	841730	1	SPACER
683	691029	2	NUT -(Starter Solenoid)
697	691902	2	SCREW -(Drive Cap)
727	841313	1	COVER, Starter Drive
732	690688	1	SCREW -(Starter Drive Cover)
732A	841233	1	SCREW -(Starter Drive Cover)
813	690635	1	CLAMP
901	846234	2	SCREW -(Rewind Spacer)
920	846820	1	SOLENOID, Starter
1005	841439	1	FAN, Flywheel
1006	690452	1	RETAINER, Fan
1392	690939	4	NUT -(Rewind Guard)
1420	841735	3	SCREW -(Flywheel Cup To Rewind Spacer)



Fuel Supply Group

REF NO	PART NO	QTY	DESCRIPTION
187	846584	1	LINE, Fuel
187D	791744	1	LINE, Fuel
240	845125	1	FILTER, Fuel
385	807084	2	SCREW -(Fuel Pump)
387	597338	1	PUMP, Fuel
601	691038	4	CLAMP, Hose
628	806660	2	SCREW
628A	692062	1	SCREW
788	691559	1	BRACKET, Fuel Pump

Not For Reproduction



Lubrication Group

REF NO	PART NO	QTY	DESCRIPTION
186	693184	2	CONNECTOR, Hose
239	690233	1	SWITCH, Oil Pressure
273	690681	2	SEAL, O-Ring -(Oil Pump)
287	692062	1	SCREW -(Dipstick Tube)
400	846489	1	COOLER, Oil
417	843345	2	SCREW -(Oil Cooler)
417A	841233	2	SCREW -(Oil Cooler)
448	841488	1	BRACKET, Oil Cooler
468	690690	1	SEAL, O-Ring -(Oil Pump Screen)
479	807084	1	SCREW -(Oil Pump Screen)
523	693175	1	DIPSTICK
524	693172	1	SEAL, O-Ring -(Dipstick Tube)
525	693174	1	TUBE, Dipstick
601	841597	4	CLAMP, Hose
737	84006523	2	SCREW -(Oil Filter Adapter)
829	841999	2	HOSE/CLAMP ASSEMBLY
988	692063	1	GASKET, Oil Adapter
1017	690900	1	SCREEN, Oil Pump
1024	843825	1	PUMP, Oil
1027	842921	1	FILTER, Oil
1028	843898	1	ADAPTER, Oil Filter
1155	806647	2	WASHER -(Oil Cooler)
1373	84006523	1	SCREW -(Oil Cooler Bracket)

Replacement Engine - US & Canada

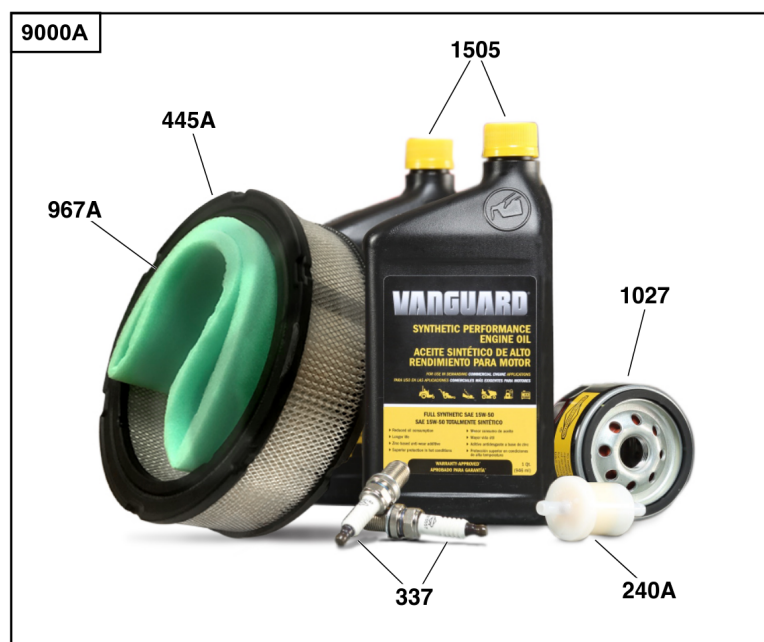
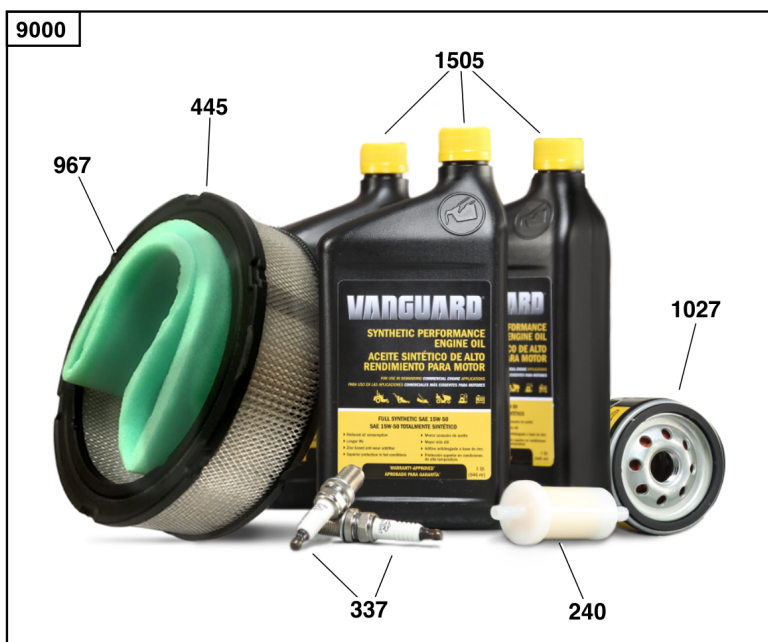
REF NO	PART NO	QTY	DESCRIPTION
	3864470515G1		Replacement Engine
	695392	1	Replacement Short Block
	-----		Top No-Load Speed: 3750

Not For Reproduction



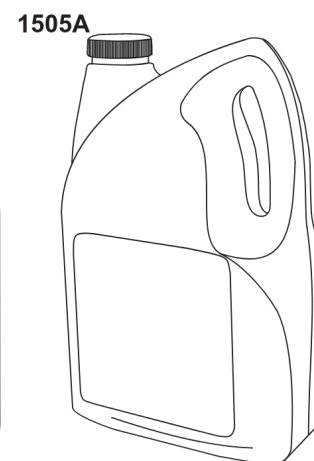
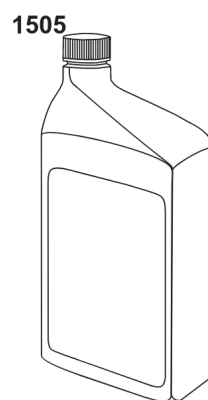
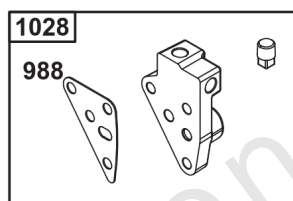
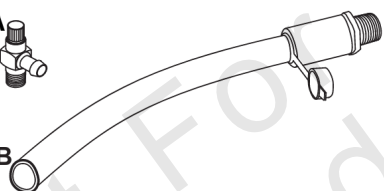
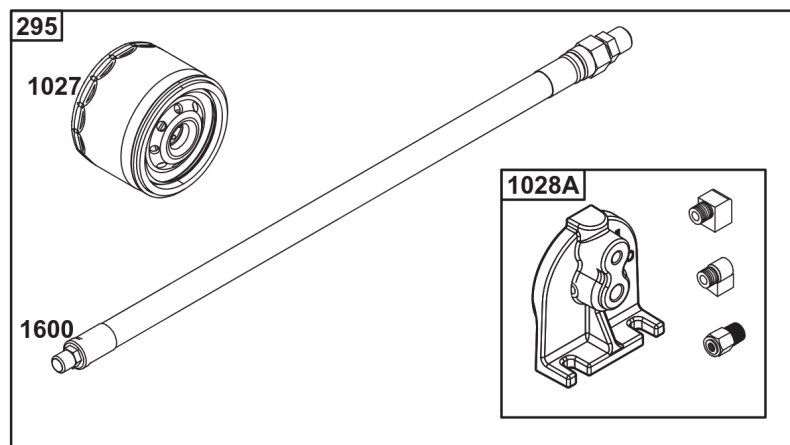
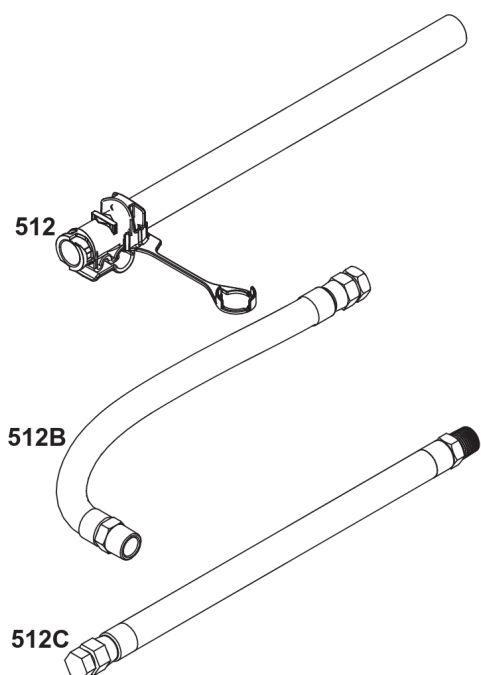
Model 29, 30, 35 & 38 Engine Accessories Catalog

Not For
Reproduction



Maintenance Kits

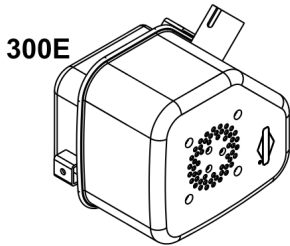
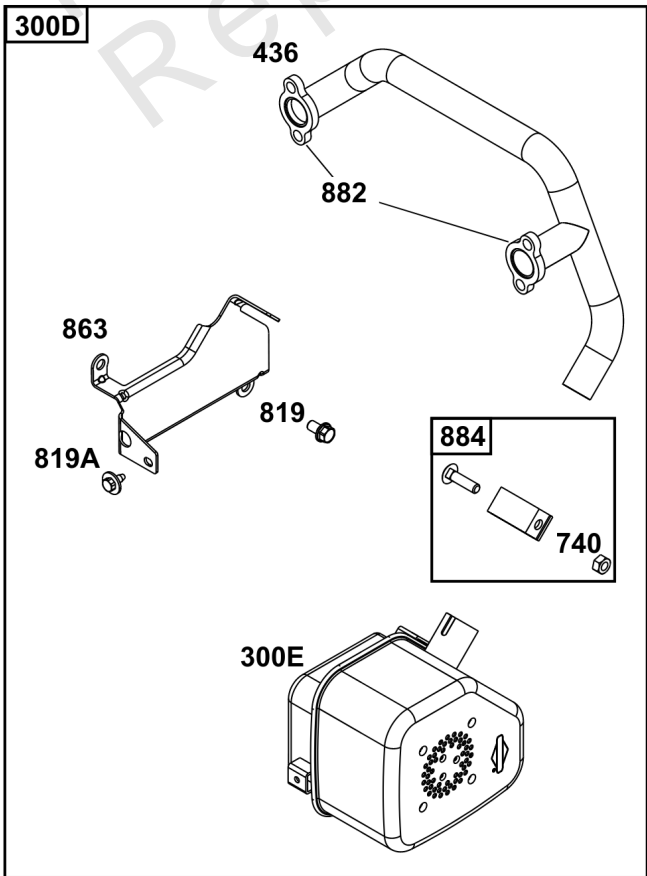
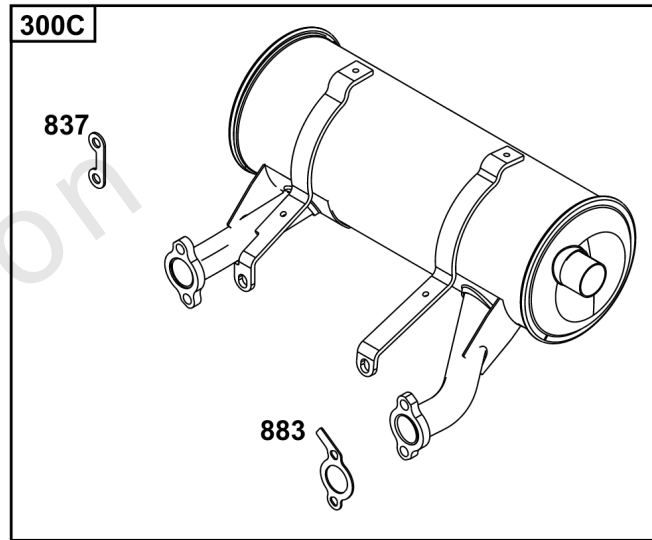
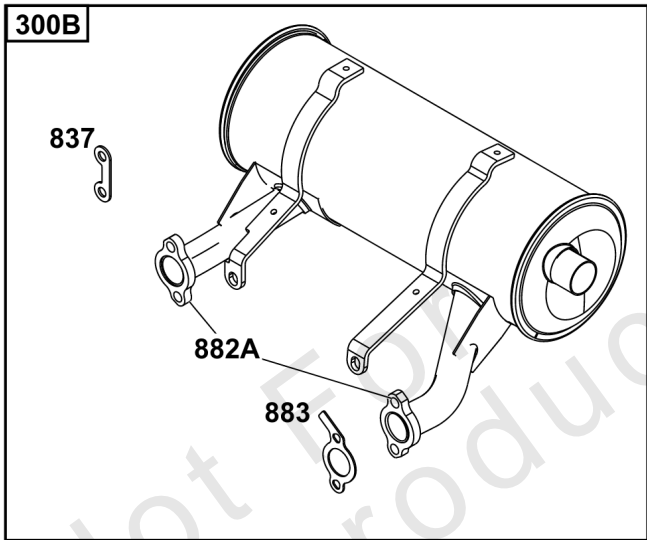
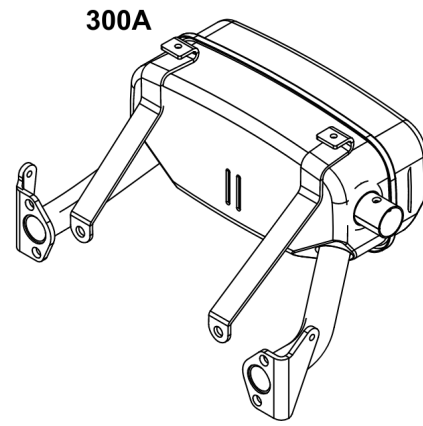
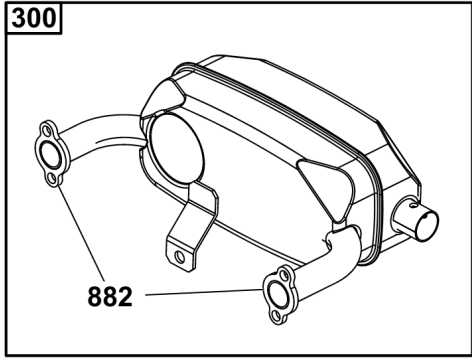
REF NO	PART NO	QTY	DESCRIPTION
9000	84004936		KIT, Maintenance -(Non-Oil Guard™ Engines) (20 - 23 HP)
9000A	84004937		KIT, Maintenance -(Non-Oil Guard™ Engines) (12.5 - 18 HP)
9000B	84002315		KIT, Maintenance -(Non-Oil Guard™ Engines)
240	845125	1	FILTER, Fuel
240A	84001895	1	FILTER, Fuel
337	491055S	2	PLUG, Spark
337	84007216	2	PLUG, SPARK -(China Only)
445	692519	1	FILTER, A/C Cartridge
445A	394018S	1	FILTER, A/C Cartridge
445B	841497	1	FILTER, A/C Cartridge
967	692520	1	FILTER, Pre Cleaner
967A	272490S	1	FILTER, Pre Cleaner
1027	842921	1	FILTER, Oil -(Vanguard®)
1505	100169		OIL-1QT VANGUARD (CASE) -(1 qt. Bottle)



Not For
Reproduction

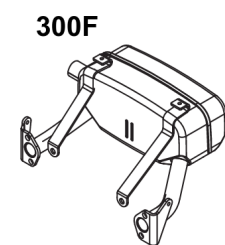
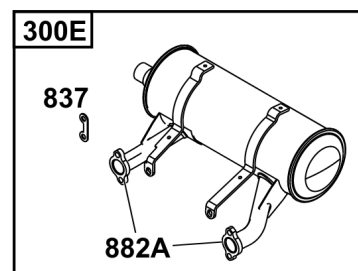
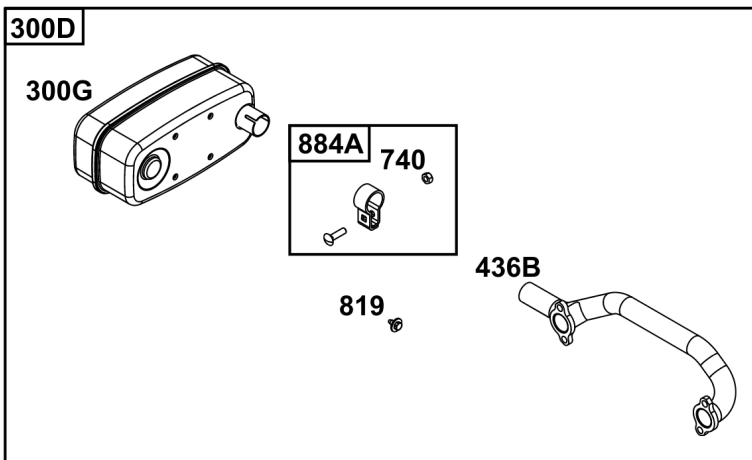
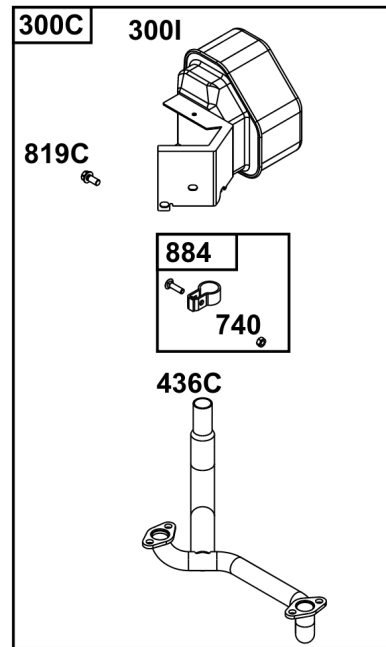
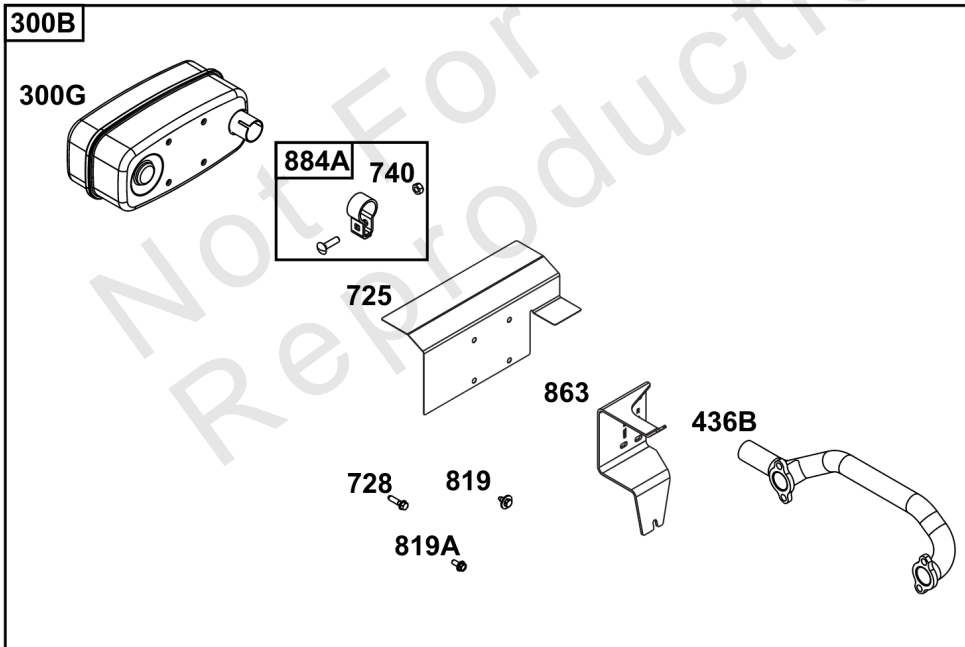
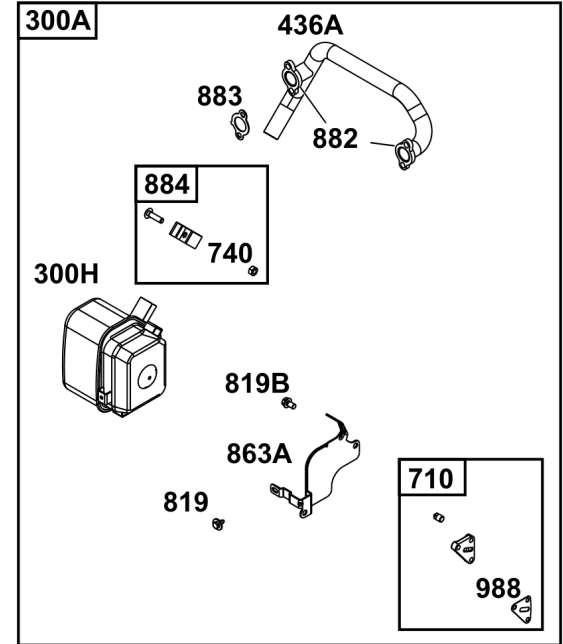
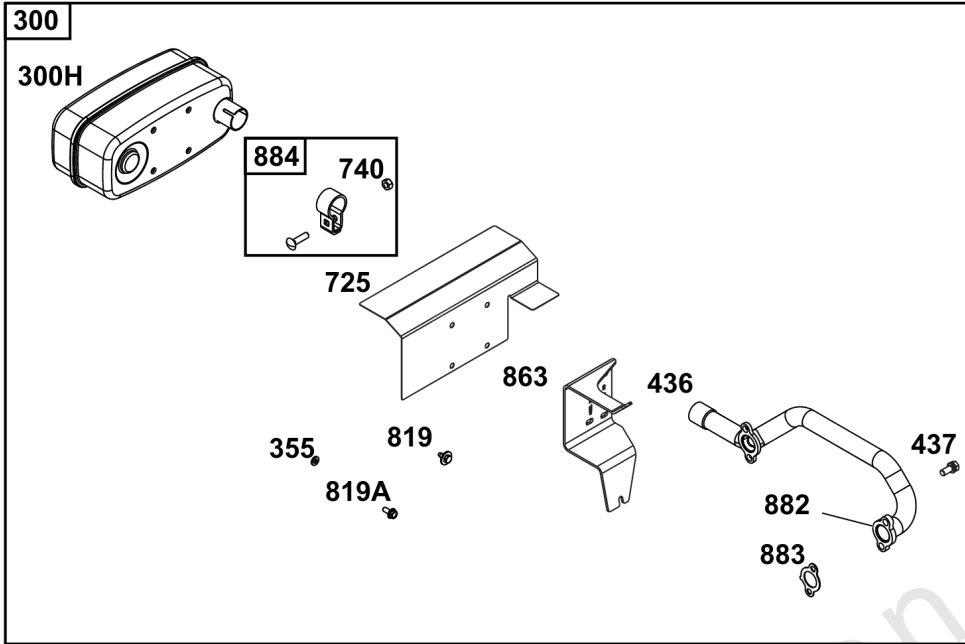
Lubrication

REF NO	PART NO	QTY	DESCRIPTION
186	796532	1	CONNECTOR, Hose -(Threaded Engine Block Connector for EZ-Oil Drain Hose)(Order hose separate)
239	690233	1	SWITCH, Oil Pressure -(2-4 PSI Normally-Closed Switch)
239A	491657S	1	SWITCH, Oil Pressure -(3-5 PSI Normally-Closed Switch)
239B	841281	1	SWITCH, Oil Pressure -(7-10 PSI Normally-Closed Switch)
239C	694115	1	SWITCH, Oil Pressure -(9-13 PSI Normally-Closed Switch)
239D	697049	1	SWITCH, Oil Pressure -(3-6 PSI Normally-Open Switch)
295	492061	1	ADAPTER, Remote Oil Filter -(Remote oil filter head with 18" (48 cm) hoses)
295	492062	1	ADAPTER, Remote Oil Filter -(Remote oil filter head with 30" (76 cm) hoses)
512	594200	1	HOSE, Oil Drain -(EZ-Oil Drain Hose, 10.5")(Order threaded engine block connector separate)
512	593635	1	HOSE, Oil Drain -(EZ-Oil Drain Hose, 13.75")(Order threaded engine block connector separate)
512B	1723165SM	1	HOSE, Oil Drain, 10-1/2" Long, 3/8-18 Fittings -(10.5")
512C	5048681SM	1	HOSE, OIL DRAIN -(12.5")
517	593633	1	RETAINER, Oil Drain
988	692063	1	GASKET, Oil Adapter
1027	492932S	1	FILTER, Oil
1028	492687	1	ADAPTER, Oil Filter -(Adapter Kit for mounting remote oil filter)
1028A	495244	1	ADAPTER-OIL FILTER -(Remote oil filter mounting head with fittings)
1346	844802	1	VALVE, Oil Drain Shut Off
1346A	492031	1	VALVE, Oil Drain Shut Off
1346B	5401WEB	1	VALVE, Oil Drain Shut Off -(1/4 Turn Oil Drain Valve with Hose)
1505	100169		OIL-1QT VANGUARD (CASE) -(1 qt. Bottle)
1505A	100170		OIL-5QT VANGUARD (CASE) -(5 qt. Bottle)
1600	494724	2	HOSE, Remote Oil Filter -(Hoses only (2) 18" (48 cm))
1600	494725	2	HOSE, Remote Oil Filter -(Hoses only (2) 30" (76 cm))



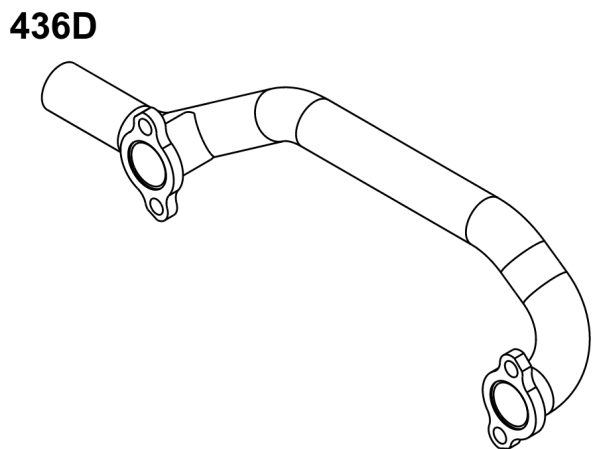
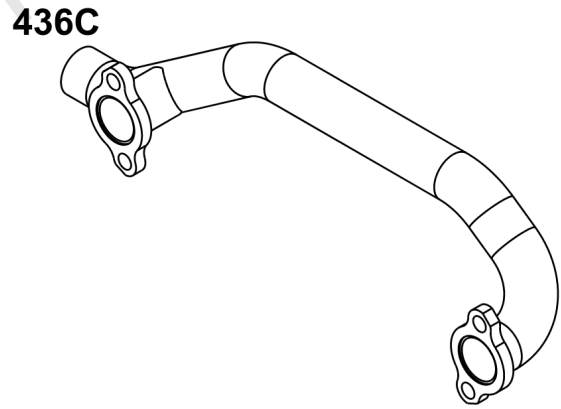
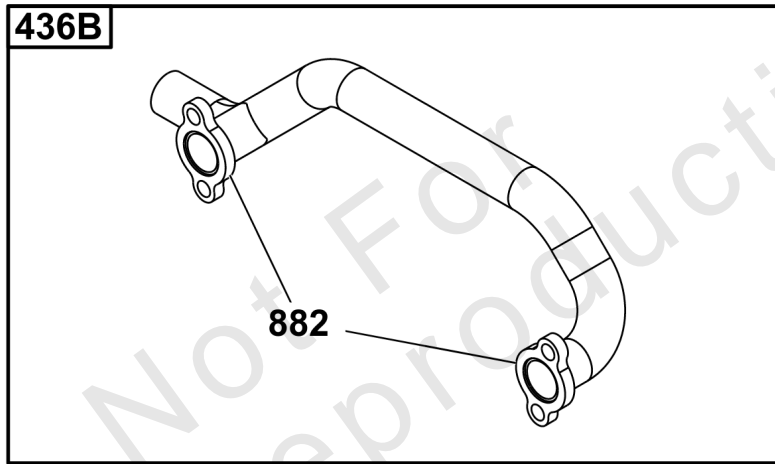
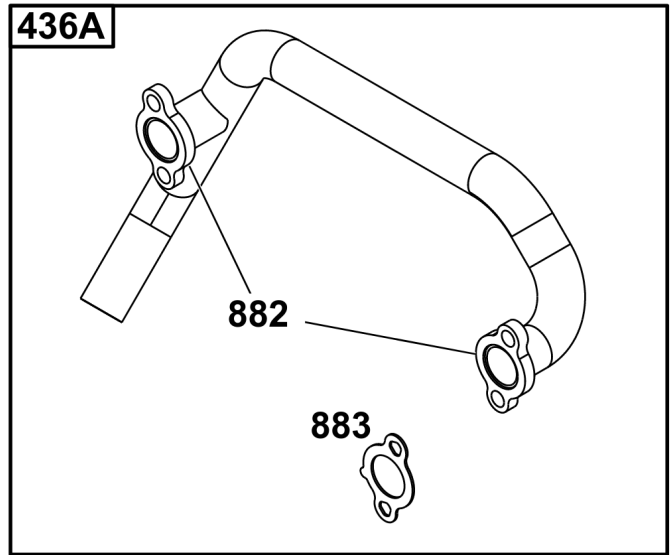
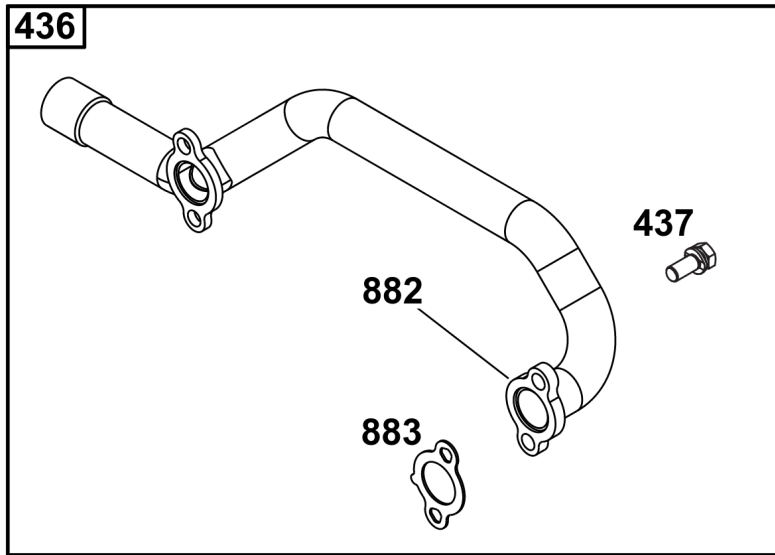
Starter Motor Side Outlet Mufflers

REF NO	PART NO	QTY	DESCRIPTION
300	690931	1	MUFFLER -(Super Lo-Tone) (Horizontal: 3054, 3564)
300A	690906	1	MUFFLER -(Super Lo-Tone) (Horizontal: 3054, 3564)
300B	808705	1	MUFFLER -(5" Round) (Horizontal: 3854, 3864)
300C	845873	1	MUFFLER -(5" Round, Stainless Steel) (Horizontal: 3854, 3864)
300D	995005	1	MUFFLER ASSY -(Lo-Tone) (Horizontal: 3054, 3564)
300E	692099	1	MUFFLER -(Lo Mount)
436	691499	1	MANIFOLD, Exhaust -(Cylinder 1) (Side Outlet)
740	793859	1	NUT
819	692056	2	SCREW -(Muffler Bracket) (M8x1.25)
819A	691514	2	SCREW -(Muffler Bracket) (M6 X 1.0)
837	808085	2	SPACER, Muffler -(Includes 2)
863	690756	1	BRACKET, Muffler -(Cylinder 1) (Side Outlet)
882	692074	2	FLANGE, Exhaust
882A	806965	2	FLANGE, Exhaust
883	806425	2	GASKET, Exhaust
884	690898	1	CLAMP, Muffler



Oil Filter Side Outlet Mufflers

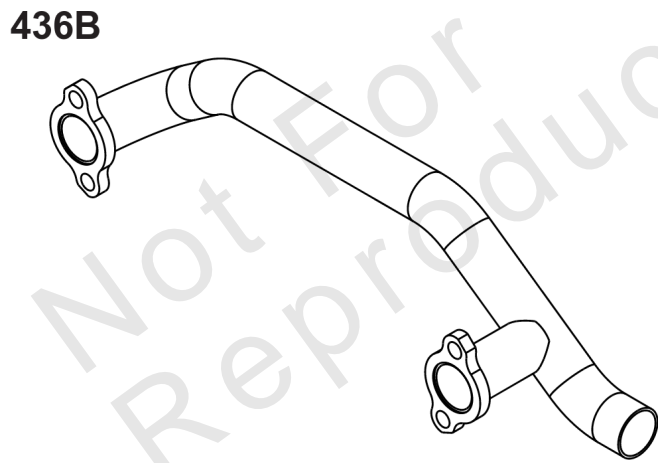
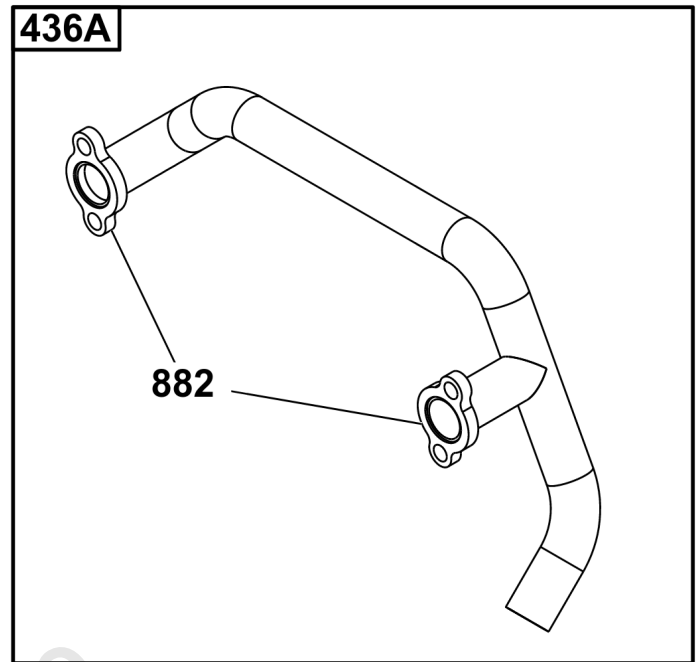
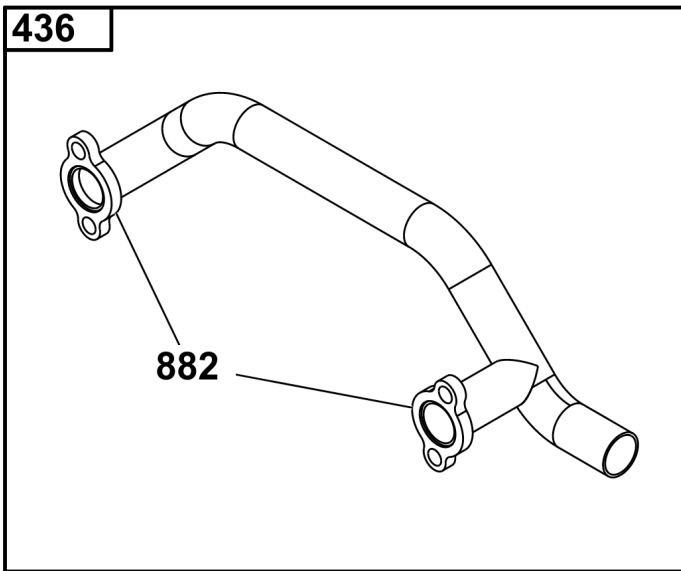
REF NO	PART NO	QTY	DESCRIPTION
300	995002	1	HIGH MNT SPR LO-TONE OIL FLTR SIDE -(Super Lo-Tone) (Horizontal: 3054, 3564) (Vertical: 3567)
300A	995000	1	OIL FILTER SIDE LO-MT -(Lo-Tone) (Horizontal: 3054, 3564) (Requires 808033 Oil Filter Adaptor)
300B	995004	1	HI MNT SPR LO-TONE OIL FLT SIDE -(Super Lo-Tone) (Horizontal: 3854, 3864) (Vertical: 3867)
300C	995009	1	COMMERCIAL MOWERS KIT -(For Wide Area Walker) (Vertical: 3567)
300D	995010	1	COMMERCIAL MOWERS KIT -(Vertical: 3867)
300E	808896	1	MUFFLER
300F	691562	1	MUFFLER -(Super Lo-Tone) (Horizontal: 3054, 3564)
300G	498984S	1	MUFFLER -(Super Lo Tone)
300H	692099	1	MUFFLER -(Lo Mount)
300I	807953	1	MUFFLER
355	842122	2	WASHER -(Muffler Bracket)
436	805609	1	MANIFOLD, Exhaust -(Cylinder 2) (Side Outlet)
436A	692061	1	MANIFOLD, Exhaust -(Cylinder 2) (Side Outlet)
436B	808916	1	MANIFOLD, Exhaust -(Cylinder 2) (Side Outlet)
436C	805778	1	MANIFOLD, Exhaust -(Wide Area Walker)
437	691902	4	SCREW -(Exhaust Manifold)
710	807689	1	COVER, Oil Filter
725	806102	1	SHIELD, Heat
728	690297	2	SCREW
740	793859	1	NUT
819	691514	2	SCREW -(Muffler Bracket) (M6 X 1.0)
819A	807084	2	SCREW -(Muffler Bracket)
819B	692056	2	SCREW -(Muffler Bracket) (M8x1.25)
819C	692062	2	SCREW -(Muffler Bracket)
837	808085	2	SPACER, Muffler -(Includes 2)
863	806759	1	BRACKET, Muffler
863A	691513	1	BRACKET, Muffler
882	692074	2	FLANGE, Exhaust -(3054 & 3564)
882A	806965	2	FLANGE, Exhaust
883	691613	2	GASKET, Exhaust
884	690898	1	CLAMP, Muffler
884A	691956	1	CLAMP, Muffler
988	690687	1	GASKET, Oil Adapter



Oil Filter Side Outlet Manifolds

REF NO	PART NO	QTY	DESCRIPTION
436	805609	1	MANIFOLD, Exhaust -(Vertical: 3567)
436A	692061	1	MANIFOLD, Exhaust -(Horizontal: 3054, 3564)
436B	691501	1	MANIFOLD, Exhaust -(Horizontal: 3054, 3564)
436C	808908	1	MANIFOLD, Exhaust -(Horizontal: 3854, 3864)
436D	808916	1	MANIFOLD, Exhaust -(Horizontal: 3854, 3864) (Vertical: 3867)
437	691902	4	SCREW -(Exhaust Manifold)
882	692074	2	FLANGE, Exhaust
883	691613	2	GASKET, Exhaust

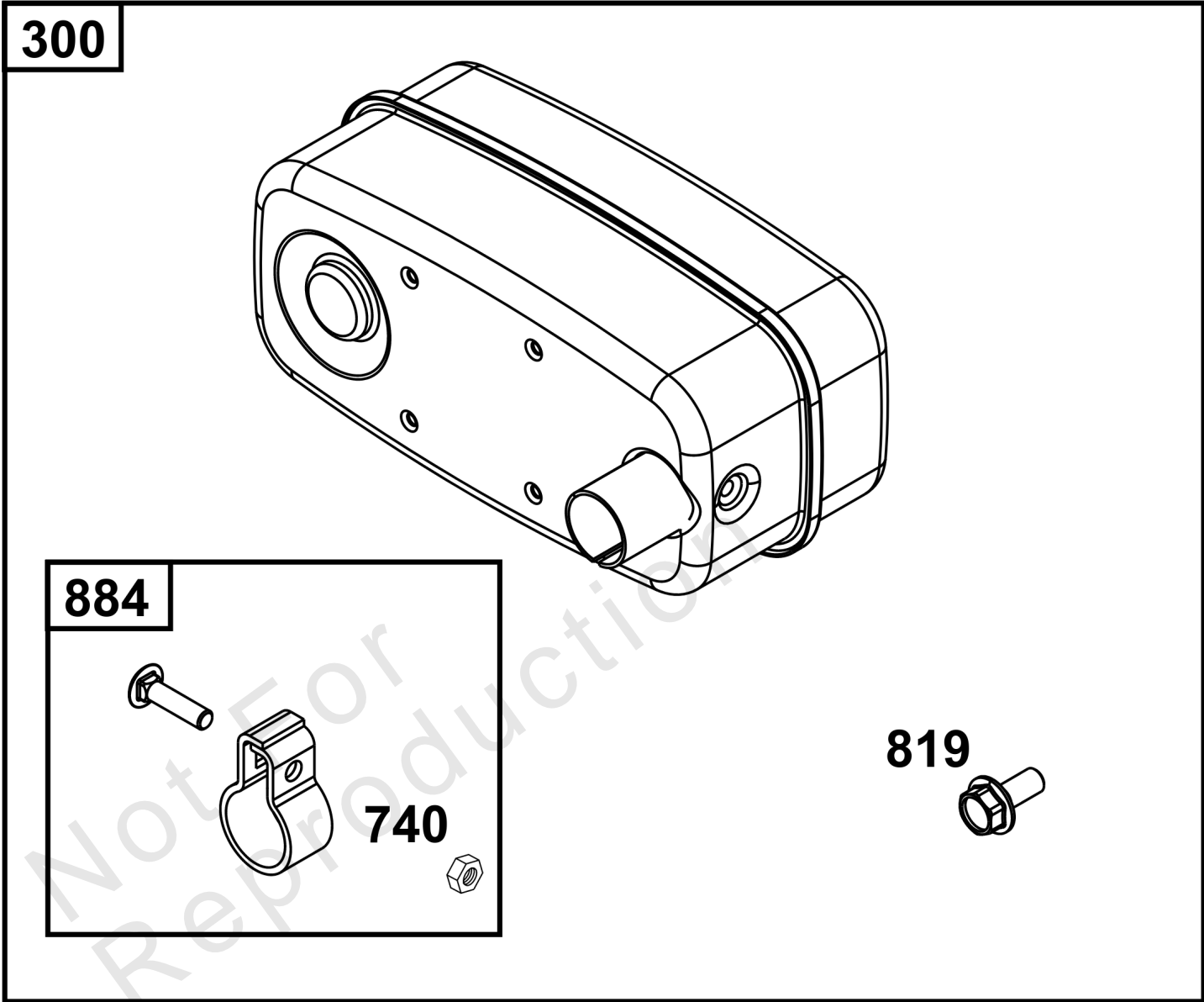
Not For Reproduction



Starter Motor Side Outlet Manifolds

REF NO	PART NO	QTY	DESCRIPTION
436	691502	1	MANIFOLD, Exhaust -(Horizontal: 3054, 3564)
436A	691499	1	MANIFOLD, Exhaust -(Horizontal: 3054, 3564)
436B	808909	1	MANIFOLD, Exhaust -(Horizontal: 3854, 3864) (Vertical: 3867)
882	692074	2	FLANGE, Exhaust

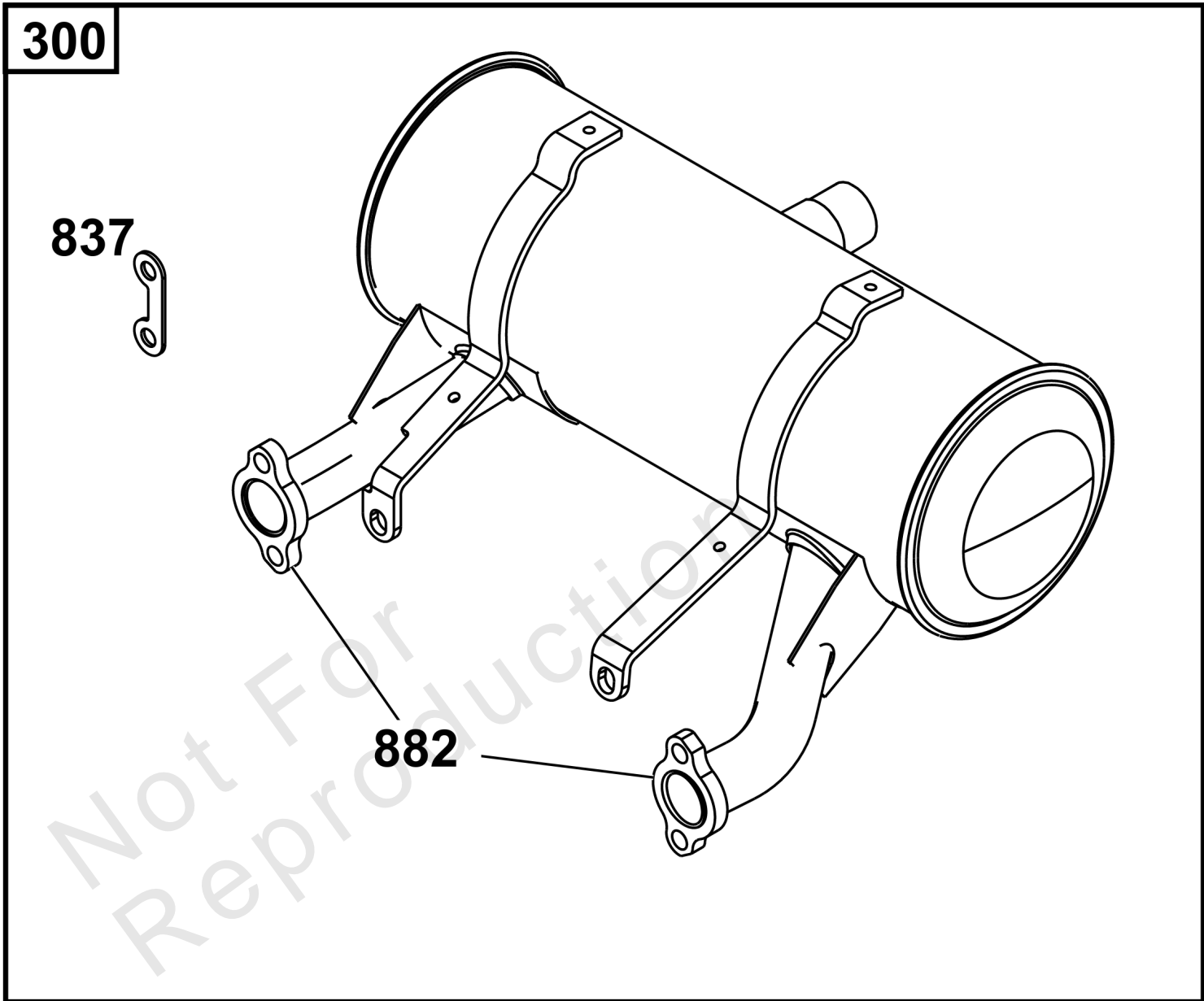
Not For Reproduction



Mufflers

REF NO	PART NO	QTY	DESCRIPTION
300	995018	1	MUFFLER -(Inlet I.D. 1.14" (28.9mm))
740	793859	1	NUT
819	807084	4	SCREW
884	691956	1	CLAMP, Muffler

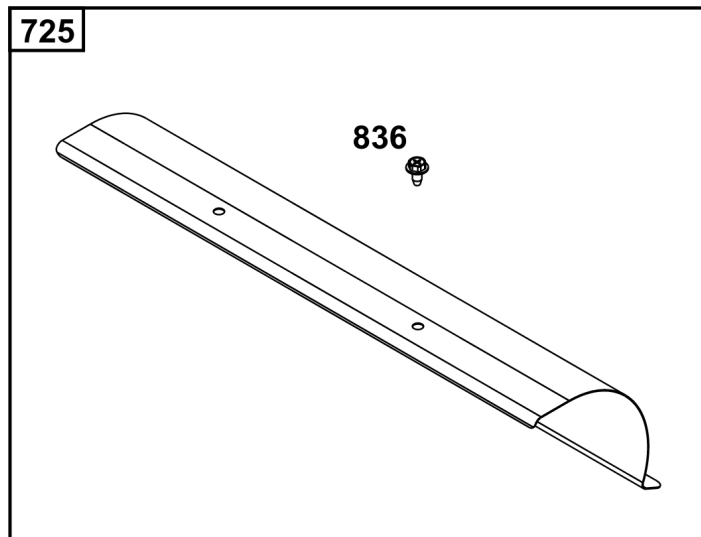
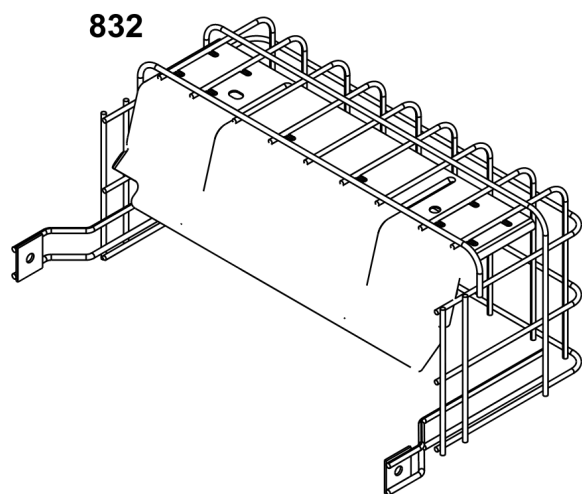
Not For Reproduction



Center Outlet Mufflers

REF NO	PART NO	QTY	DESCRIPTION
300	808911	1	MUFFLER -(5" Round) (Horizontal: 3854, 3864)
837	808085	2	SPACER, Muffler
882	806965	2	FLANGE, Exhaust

Not For Reproduction

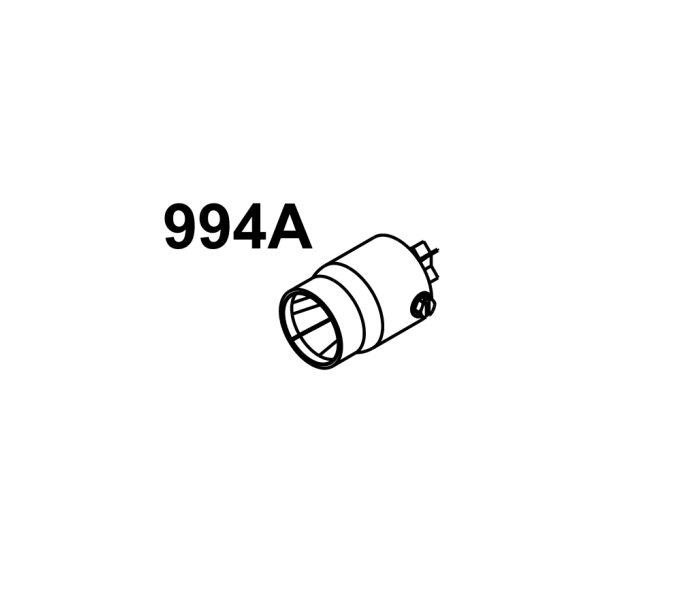
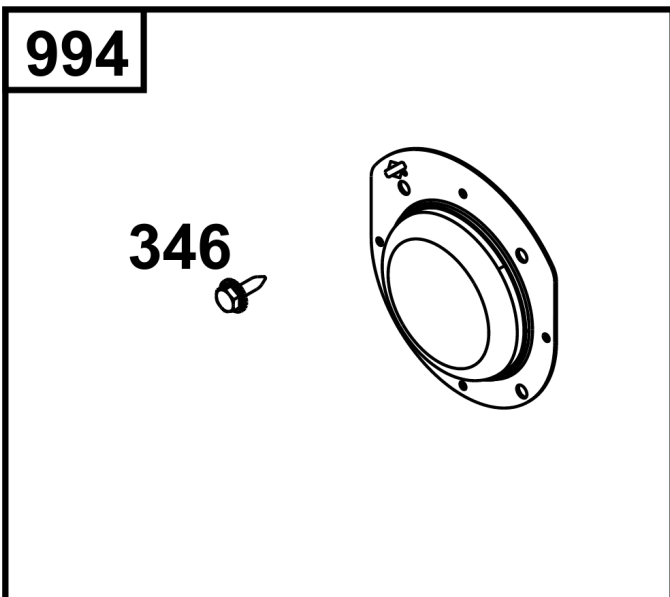
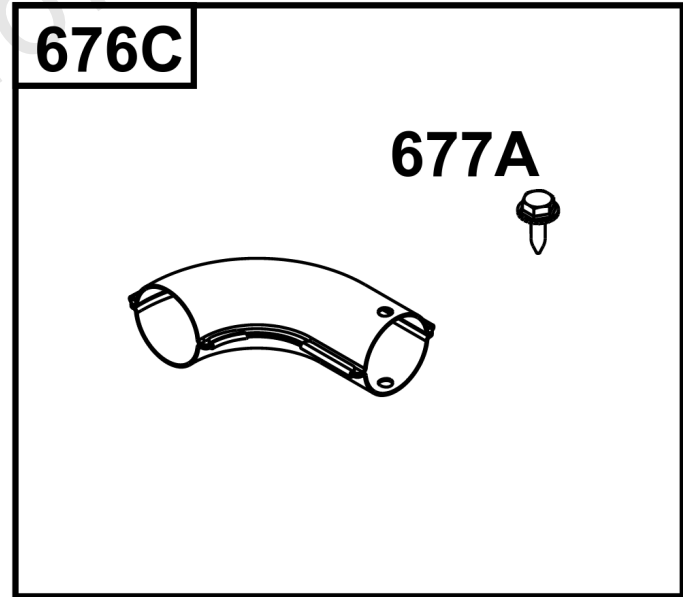
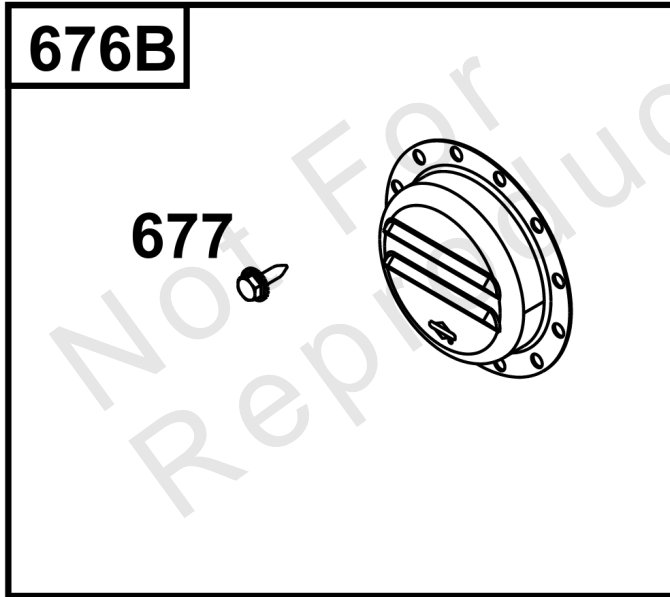
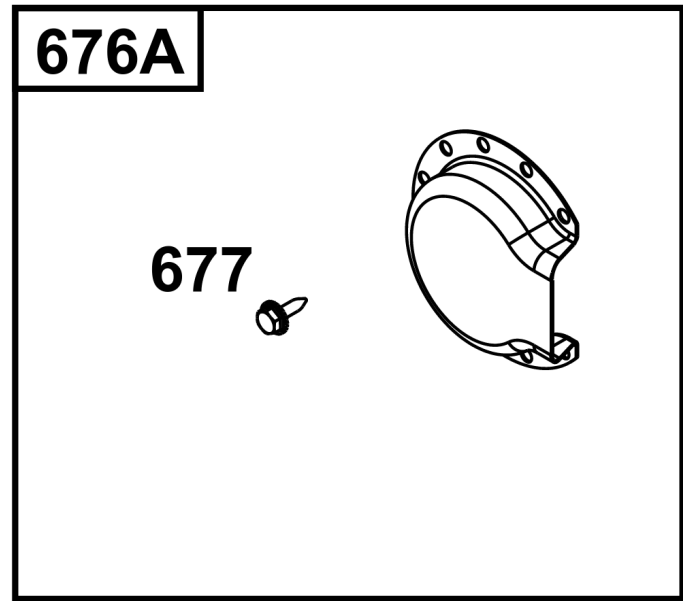
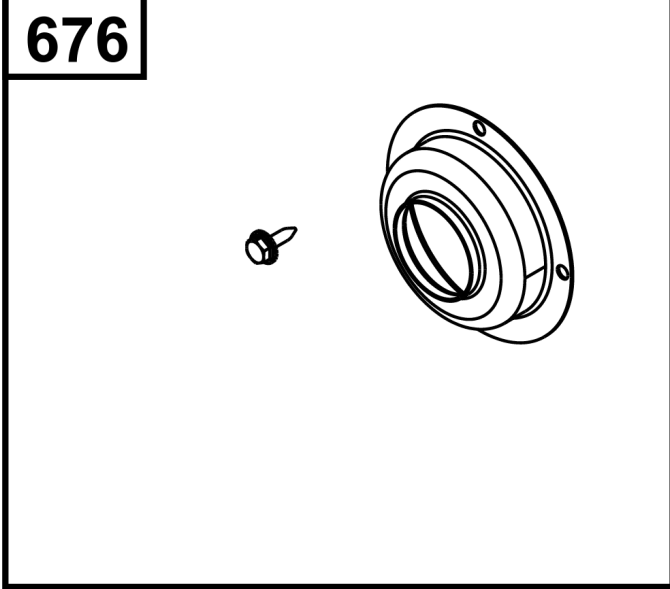


Not For
Reproduction

Muffler Guards and Shields

REF NO	PART NO	QTY	DESCRIPTION
725	846568	1	SHIELD, Heat -(For 5" Round Mufflers) (Horizontal: 3854, 3864)
832	691571	1	GUARD, Muffler -(Assembly for 690906 & 691562) (Horizontal: 3054, 3564)
836	692067	4	SCREW

Not For Reproduction



Spark Arrestors and Deflectors

REF NO	PART NO	QTY	DESCRIPTION
346	794845	4	SCREW
676	396903	1	DEFLECTOR, Muffler -(Direct Outlet) (Face Mounting with 4 Screws)
676A	795036	1	DEFLECTOR, Muffler -(Deflector 90 Degree) (Face Mounting with 4 Screws)
676B	795038	1	DEFLECTOR, Muffler -(Deflector Louvered) (Face Mounting with 4 Screws)
676C	495518	1	DEFLECTOR, Muffler -(Elbow for Muffler Assembly) (For Exit Pipe O.D. of 1.10" (28mm))
677	794845	4	SCREW
677A	810079	1	SCREW
994	794945	1	ARRESTOR, Spark -(Spark Arrestor) (Face Mounting with 4 Screws)
994A	594562	1	ARRESTOR-SPARK -(Spark Arrestor) (For Exit Pipe O.D. of 1.10" (28mm))

Not For Reproduction

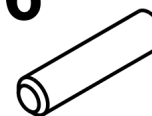
613



1177



296



883



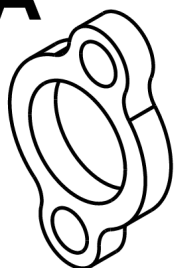
883A



882



882A

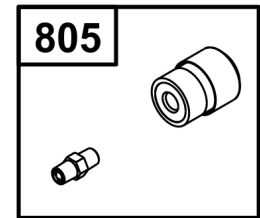
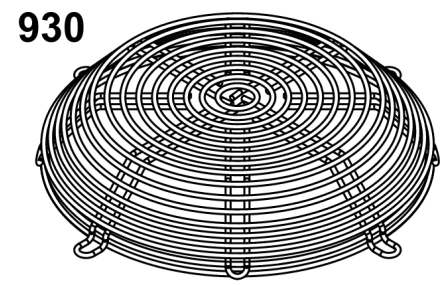
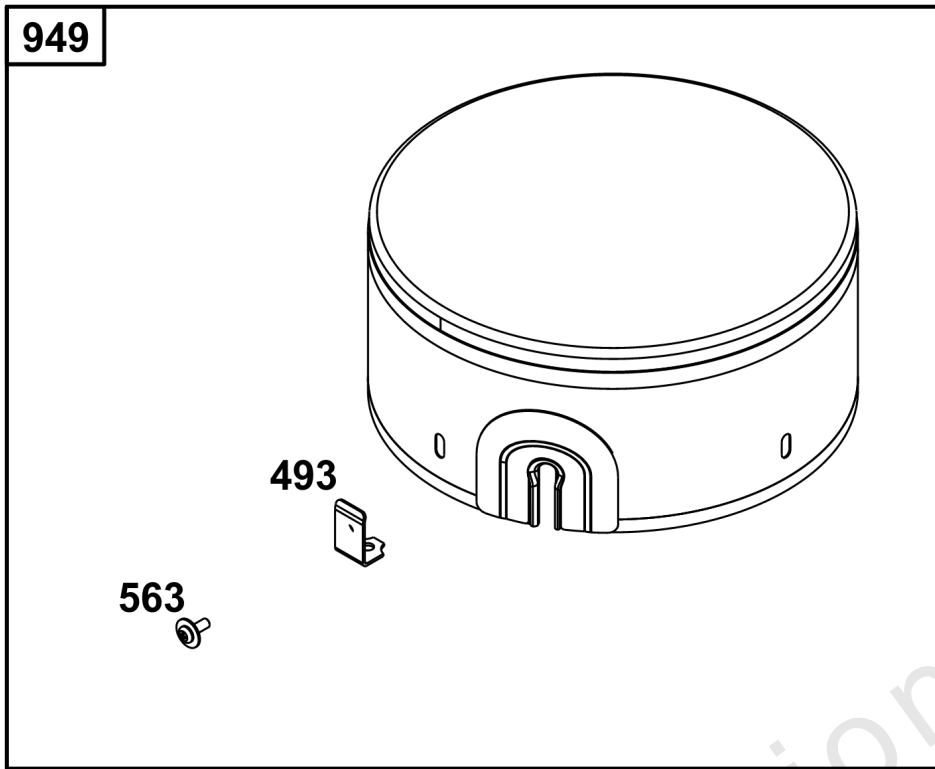


Not for
Reproduction

Muffler Mounting Hardware

REF NO	PART NO	QTY	DESCRIPTION
296	841185	4	STUD -(Mounting Mufflers)
613	691902	4	SCREW -(Mounting Mufflers)
882	692074	2	FLANGE, Exhaust -(3054 & 3564)
882A	806965	2	FLANGE, Exhaust -(3854 & 3864)
883	806425	2	GASKET, Exhaust -(Horizontal: 3854, 3864) (Vertical: 3567)
883A	691613	2	GASKET, Exhaust -(Horizontal: 3054, 3564) (Vertical: 3567)
1177	842067	4	NUT -(Required if Using 841185)

Not For Reproduction

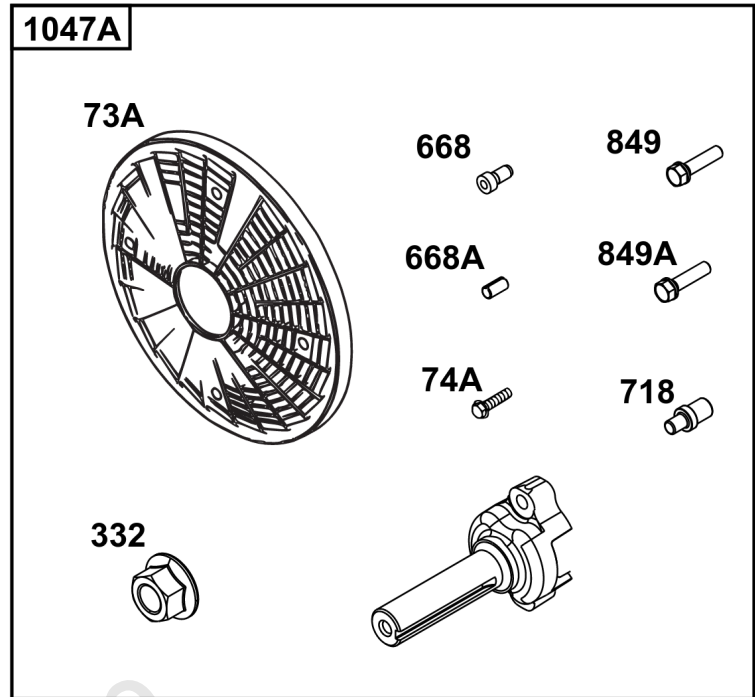
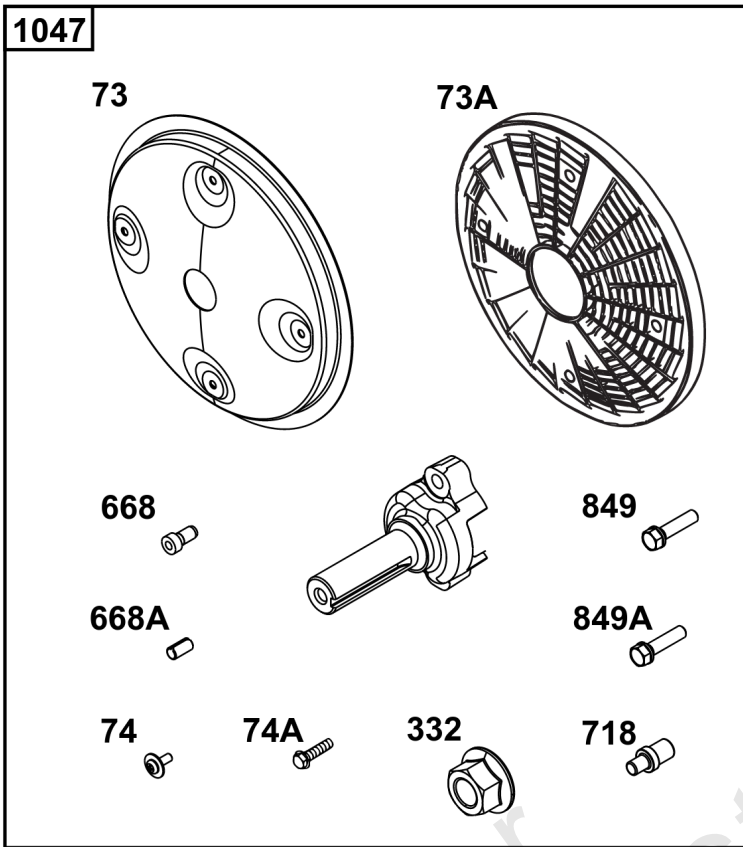


Not For
Reproduction

Flywheel and Air Intake Guards

REF NO	PART NO	QTY	DESCRIPTION
493	845729	4	BRACKET, Mounting
563	841441	4	SCREW
805	843024	1	MINDER, Filter -(For Engines with Cyclonic Air Filter)
930	846284	1	GUARD, Flywheel Fan
949	845728	1	GUARD, Debris Screen -(Vertical: 3867)

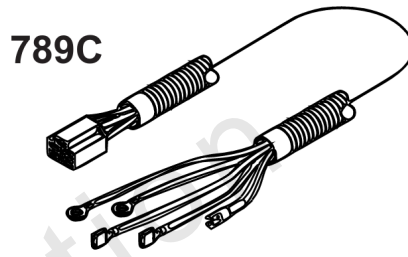
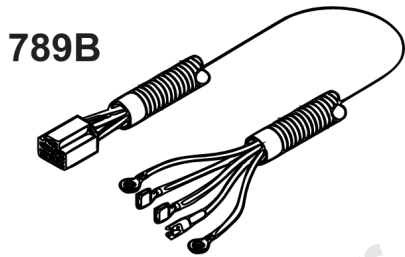
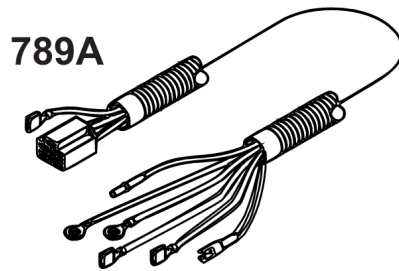
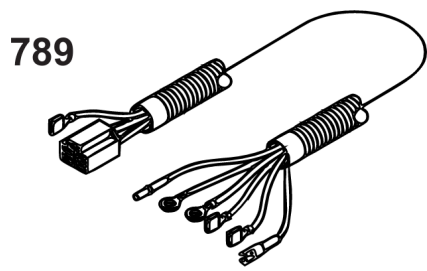
Not For Reproduction




Not For
Reproduction

PTO

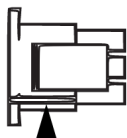
REF NO	PART NO	QTY	DESCRIPTION
73	841582	1	SCREEN, Rotating
73A	494439	1	SCREEN, Rotating
74	841441	4	SCREW -(Rotating Screen)
74A	691647	4	SCREW -(Rotating Screen)
332	690887	1	NUT -(Flywheel)
668	691500	4	SPACER -(Rotating Screen)
668A	691215	4	SPACER -(Rotating Screen)
718	841581	1	PIN, Locating -(32MM)
849	691088	2	SCREW -(Stub Shaft)
849A	846236	2	SCREW -(Stub Shaft)
1047	841580	1	SHAFT, Stub -(1" Diameter) (4.75" Length)
1047A	842655	1	SHAFT, Stub -(1" Diameter) (5.43" Length)



578

A wiring harness with ten color-coded wires: orange, light orange, black, purple, blue, green, yellow, red, yellow, and black. Each wire has a terminal at the end.

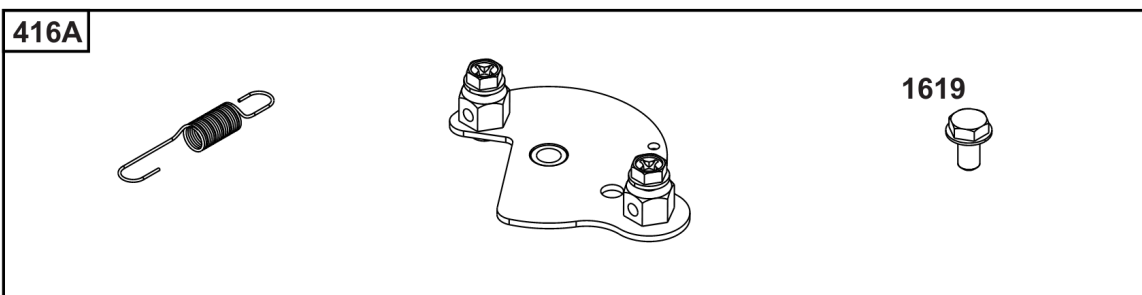
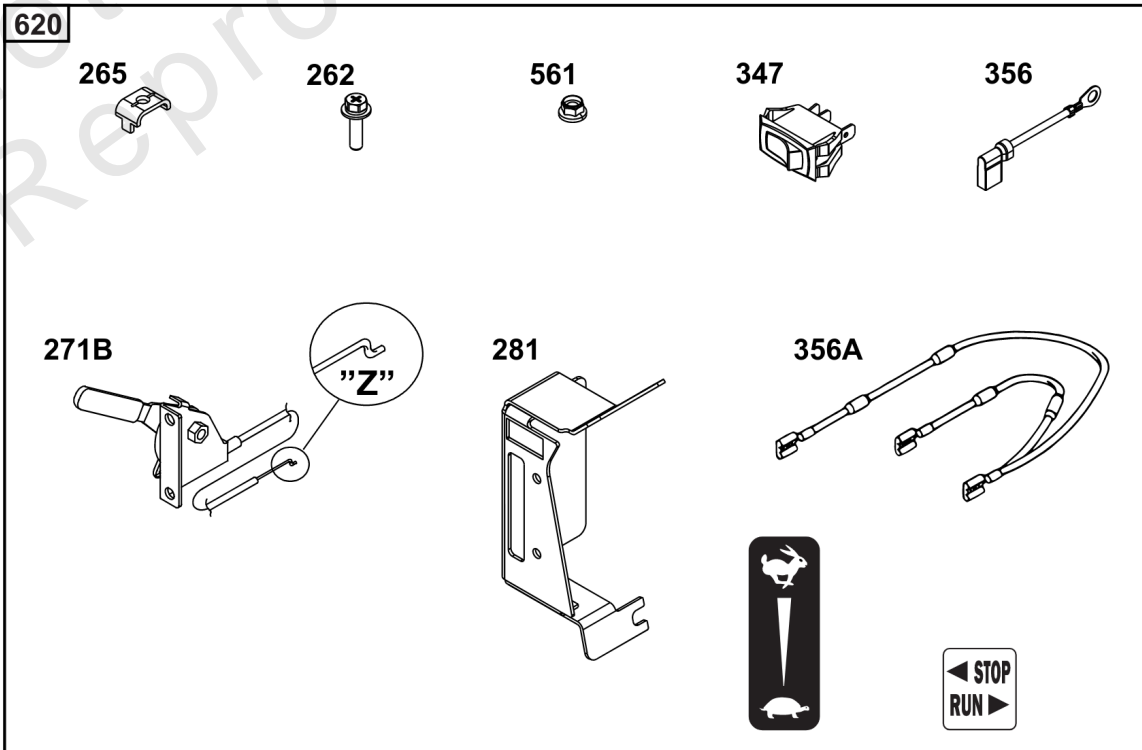
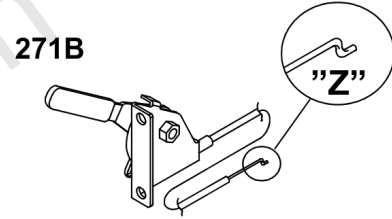
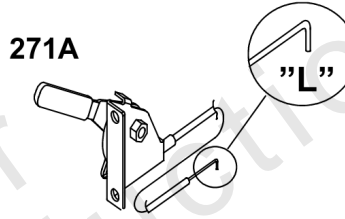
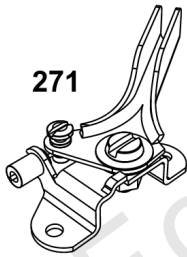
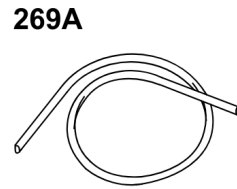
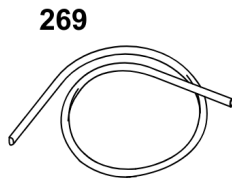
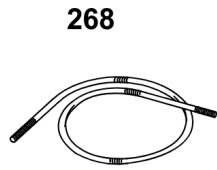
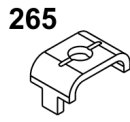
LOOSE CONNECTOR:
TE # 1-480704-0
MATE-N-LOK 6 POSITION HOUSING

A technical drawing of a loose connector, showing its internal structure and how it fits into a housing.

Electrical

REF NO	PART NO	QTY	DESCRIPTION
415	1714480SM	1	PLUG -(Plug for Ignition Switch Removal)
578	84007350	1	WIRE ASSEMBLY -(Aids in Repowering Engine Application with 6-Pin Connector and Wires with Terminals to Create Custom Adapter Configurations)
789	691996	1	HARNESS, Wiring -(For 16 Amp Alternators)
789A	841318	1	HARNESS, Wiring -(For 16 Amp Alternators with Solenoid Shift Starter)
789B	847601	1	HARNESS, Wiring -(For 20 Amp Alternators)
789C	847602	1	HARNESS, Wiring -(For 20 Amp Alternators with Solenoid Shift Starter)

Not For Reproduction



Speed Control

REF NO	PART NO	QTY	DESCRIPTION
262	841552	1	SCREW
265	691024	1	CLAMP, Casing -(Casing Clamp for Hard Casing)
265A	690798	1	CLAMP, Casing -(Casing Clamp for Soft Casing)
267	792629	1	SCREW -(Screw for Casing Clamp)
268	691025	1	CASING, Control Wire -(Wire Casing 72")
269	26634	1	WIRE, Control -(Control Wire 78")
269A	93907	1	WIRE, Control -(Control Wire 100")
270	691027	1	NUT -(Nut for Wire Casing)
271	691028	1	LEVER, Control -(Speed Control Lever Assembly)
271A	692105	1	LEVER, Control -(Speed Control Lever Assembly) ('L' Shaped End)
271B	692541	1	LEVER, Control -(Speed Control Lever Assembly) ('Z' Shaped End)
281	690742	1	PANEL, Control
347	691995	1	SWITCH-ROCKER
356	690796	1	WIRE, Stop
356A	691999	1	WIRE ASSEMBLY
416	595196	1	BRACKET, Throttle Cable -(Casing Clamp for Snap-In Casing)
416A	84006945	1	BRACKET, Throttle Cable
561	806447	1	NUT
620	494052	1	BRACKET, Control -(Throttle Control for Vanguard V-Twin Horizontal Small Block)
1619	691693	1	SCREW

WANGUARD[®]

COMMERCIAL POWER



BRIGGS & STRATTON[®]