

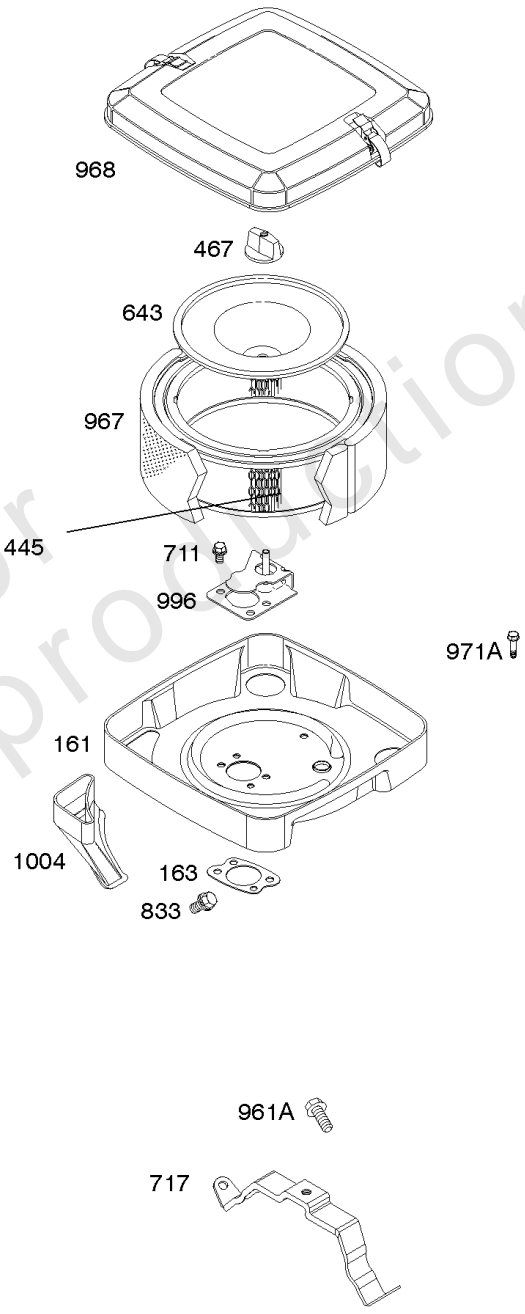


Parts Manual

Mfg. No: 354447-0110-E1

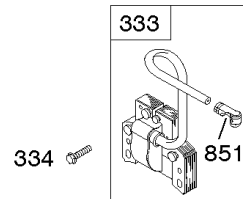
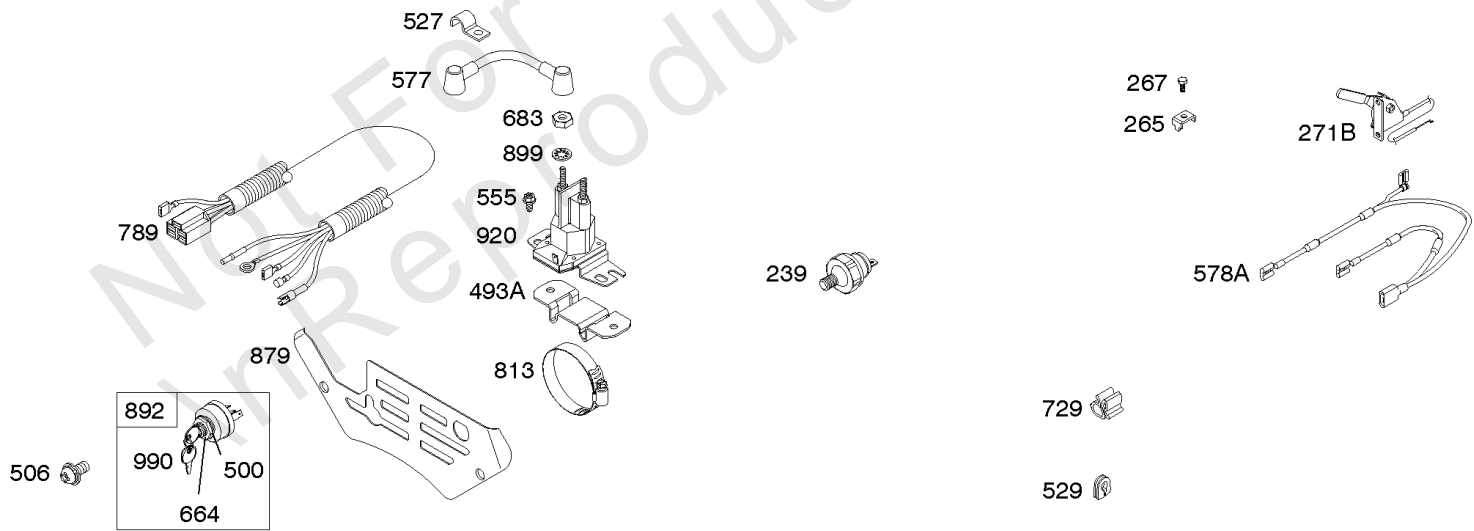
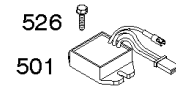
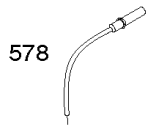
Model Components	Page
Air Cleaner.....	4
Alternator, Ignition.....	6
Blower Housing.....	8
Camshaft, Crankshaft, Cylinder, Gasket Set-Engine, Piston, Rings, Connecting Rod.....	10
Carburetor, Fuel Supply.....	14
Controls, Governor Spring.....	16
Crankcase Cover, Intake Manifold.....	18
Cylinder Head, Valves, Gasket Set-Valve.....	20
Electric Starter #1.....	24
Electric Starter #2.....	26
Exhaust System.....	28
Flywheel.....	30
Lubrication.....	32
Replacement Engine - US & Canada.....	34
Rewind Starter.....	35
Shrouds.....	37

Not For
In Reproduction



Air Cleaner

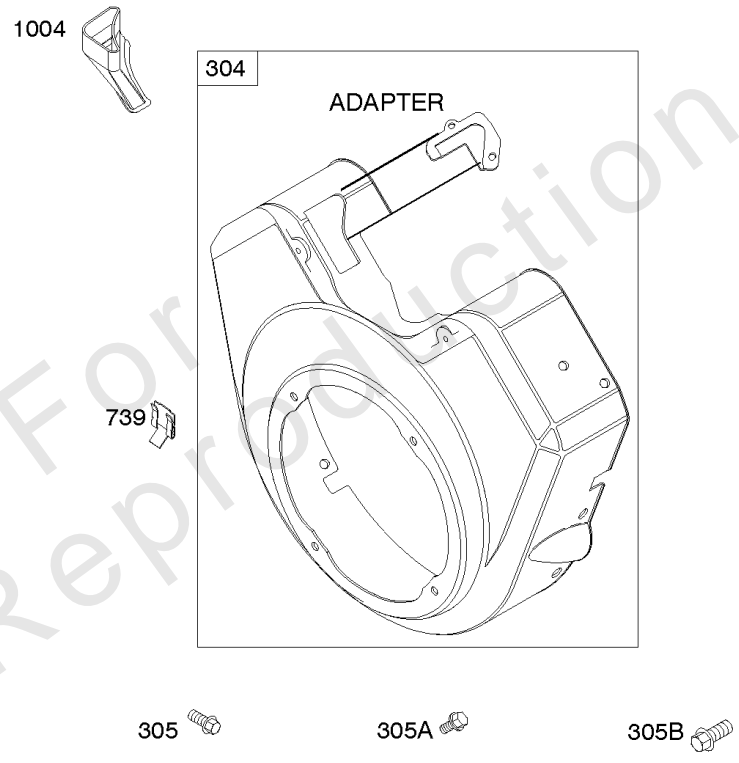
REF NO	PART NO	QTY	DESCRIPTION
161	691561		BASE, Air Cleaner -(Metal)
163	692081		GASKET, Air Cleaner -(Air Cleaner)
445	394018S		FILTER, A/C Cartridge -Used Before Code Date 04030100
445	841359		FILTER, A/C Cartridge -Used After Code Date 04022900
467	691985		KNOB, Air Cleaner Cover
643	692079		RETAINER, Air Filter
711	841233		SCREW -(Carburetor Shield)
717	692153		BRACKET, Air Cleaner
961	841233		SCREW -(Air Cleaner Bracket)
961A	690872		SCREW -(Air Cleaner Bracket)
967	272490S		FILTER, Pre Cleaner
968	699959		COVER, Air Cleaner
971A	692537		SCREW -(Air Cleaner Base to Carburetor)
996	691577		SHIELD, Carburetor
1004	690743		DUCT, Air



Alternator, Ignition

REF NO	PART NO	QTY	DESCRIPTION
239	491657S		SWITCH, Oil Pressure
265	691024		CLAMP, Casing
267	692083		SCREW -(Casing Clamp)
271B	691028		LEVER, Control
333	492341		ARMATURE, Magneto
334	692066		SCREW -(Magneto Armature)
359	691077		WASHER -(Ground Terminal)
373	691612		NUT -(Ground Terminal)
474D	696458		ALTERNATOR -(10 and 16 Amp Regulated)
493A	691177		BRACKET, Mounting -(Solenoid)
500	691086		WASHER -(Key Switch)
501	691185		REGULATOR -(16 Amp Regulated)
506	690677		SCREW -(Carburetor Cover)
507	691972		INSULATOR
520	691084		TERMINAL, Ground
526	692067		SCREW -(Regulator)
527	690423		CLAMP, Tube
529	690744		GROMMET
555	692067		SCREW -(Starter Solenoid)
577	690795		CABLE, Starter
578	692306		WIRE ASSEMBLY
578A	692319		WIRE ASSEMBLY
664	691087		NUT -(Key Switch)
683	691029		NUT -(Starter Solenoid)
729	690586		CLIP, Wire
789	691996		HARNESS, Wiring
813	690635		CLAMP
851	493880S		TERMINAL, Spark Plug
877C	399916		WIRE/CONNECTOR, Alternator
879	842829		COVER, Carburetor/EFI
892	692318		SWITCH, Key
899	691077		WASHER -(Starter Solenoid)
920	691656		SOLENOID, Starter
990	691959		SET, Key
1054	280275		TIE, Cable
1059	698516		KIT, Screw/Washer
1119	691552		SCREW -(Alternator)

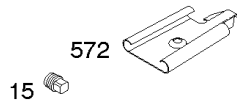
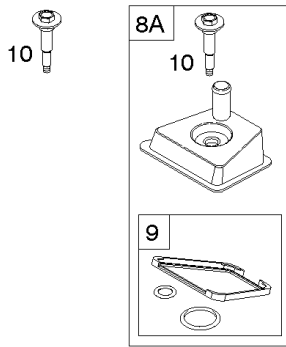
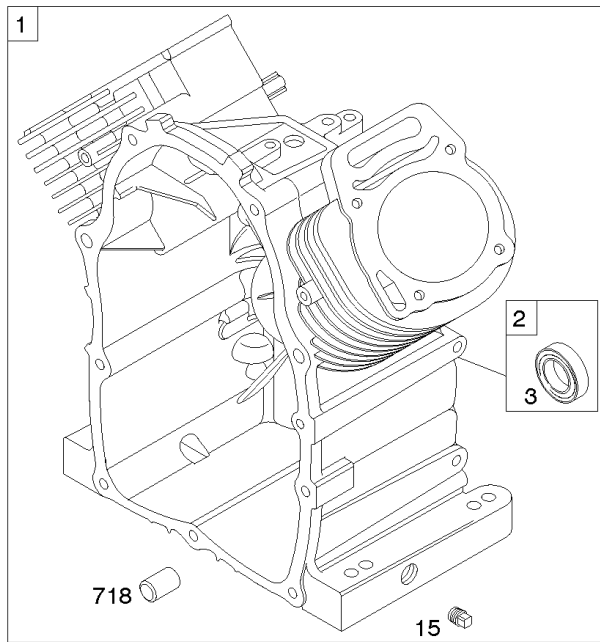
1036 EMISSIONS LABEL



Blower Housing

REF NO	PART NO	QTY	DESCRIPTION
304	690930		HOUSING, Blower
305	692056		SCREW -(Blower Housing) (M8 X 14)
305A	841233		SCREW -(Blower Housing) (M6x10mm)
305B	807163		SCREW -(Blower Housing)
739	690451		CLIP -(Debris)
1004	690743		DUCT, Air
1036	-----		LABEL, Emissions -(Available From A Briggs & Stratton Authorized Dealer)

Not For In Reproduction

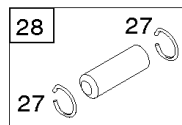
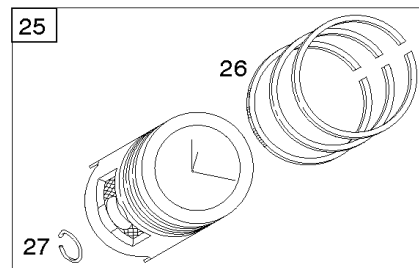
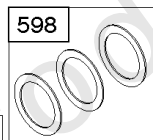
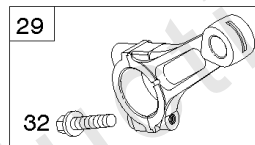
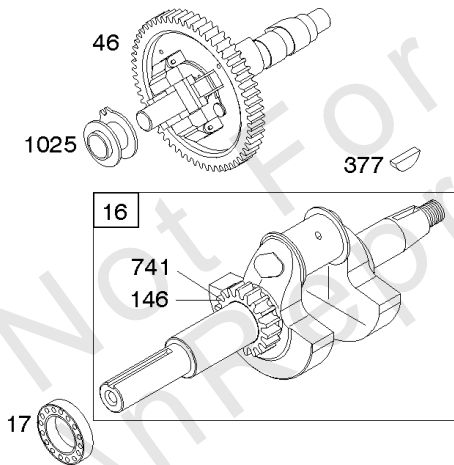
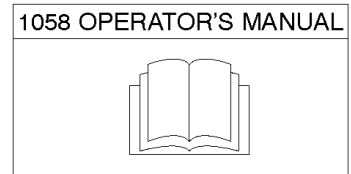


1319 WARNING LABEL

WARNING

- Read and follow Operating Instructions before running engine.
- Gasoline is flammable. Allow engine to cool at least 2 minutes before refueling.
- Engines emit carbon monoxide, DO NOT run in enclosed area.
- Muffler area temperature may exceed 150°F. Do not touch hot parts.

REQUIRED when replacing parts with warning labels affixed.



358 ENGINE GASKET SET

3

7 **GRAPHOIL®**

7A **METAL**

9

12

20

273

276

338

439

468

524

51A

51B

163

691

868

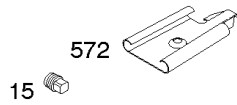
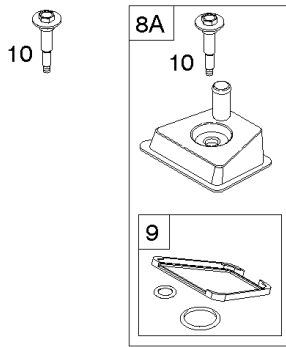
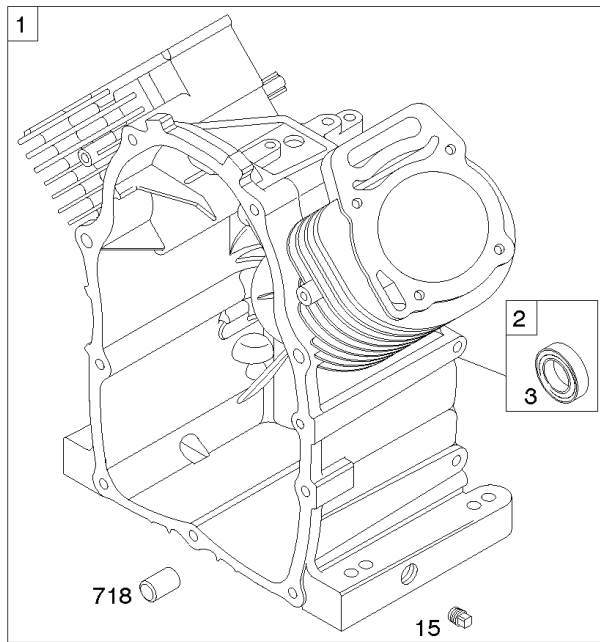
883

988

1022

Camshaft, Crankshaft, Cylinder, Gasket Set-Engine, Piston, Rings, Connecting Rod

REF NO	PART NO	QTY	DESCRIPTION
1	808702		CYLINDER ASSEMBLY
2	808534		KIT, Bushing/Seal -(Magneto Side)
3	805101S		SEAL, Oil -(Magneto Side)
7	690888		GASKET, Cylinder Head
7A	805653S		GASKET, Cylinder Head -(Metal)
8A	808984		BREATHER ASSEMBLY -Used Before Code Date 04060100
9	809094		GASKET, Breather -Used Before Code Date 04060100
10	690751		SCREW -(Breather Assembly) -Used Before Code Date 04060100
12	846487		GASKET, Crankcase
15	690946		PLUG, Oil Drain
16	692173		CRANKSHAFT
17	690752		BEARING, Ball
20	805049S		SEAL, Oil -(PTO Side)
25	808336		PISTON ASSEMBLY -(.010 Oversize)
25	808337		PISTON ASSEMBLY -(.020 Oversize)
25	808326		PISTON ASSEMBLY -(Standard)
26	807889		SET, Ring -(Standard)
26	807994		SET, Ring -(.010 Oversize)
26	807995		SET, Ring -(.020 Oversize)
27	690683		LOCK, Piston Pin
28	807886		PIN, Piston -(Standard)
29	807900S		ROD, Connecting -(Standard)
32	690698		SCREW -(Connecting Rod)
46	691557		CAMSHAFT
51A	692035		GASKET, Intake -(Manifold to Cylinder Head)
51B	806457		GASKET, Intake -(Manifold/Carburetor Spacer)
146	691639		KEY, Timing
163	692081		GASKET, Air Cleaner -(Air Cleaner)
273	690681		SEAL, O-Ring -(Oil Pump)
276	690704		WASHER -(Governor Crank)
276	806998		WASHER, Sealing -(LP/NG Fuel Switch)
338	691312		SEAL, O-Ring -(Dipstick Tube)
358	808704		GASKET SET, Engine -Used Before Code Date 01120300

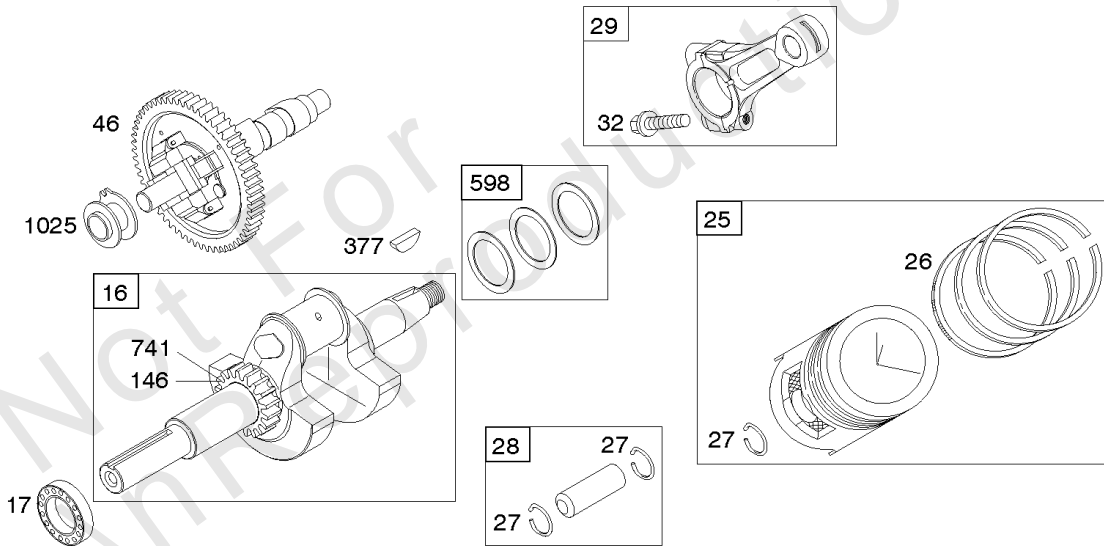
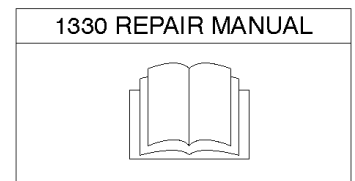


1319 WARNING LABEL

WARNING

- Read and follow Operating Instructions before running engine.
- Gasoline is flammable. Allow engine to cool at least 2 minutes before refueling.
- Engines emit carbon monoxide, DO NOT run in enclosed area.
- Muffler area temperature may exceed 150°F. Do not touch hot parts.

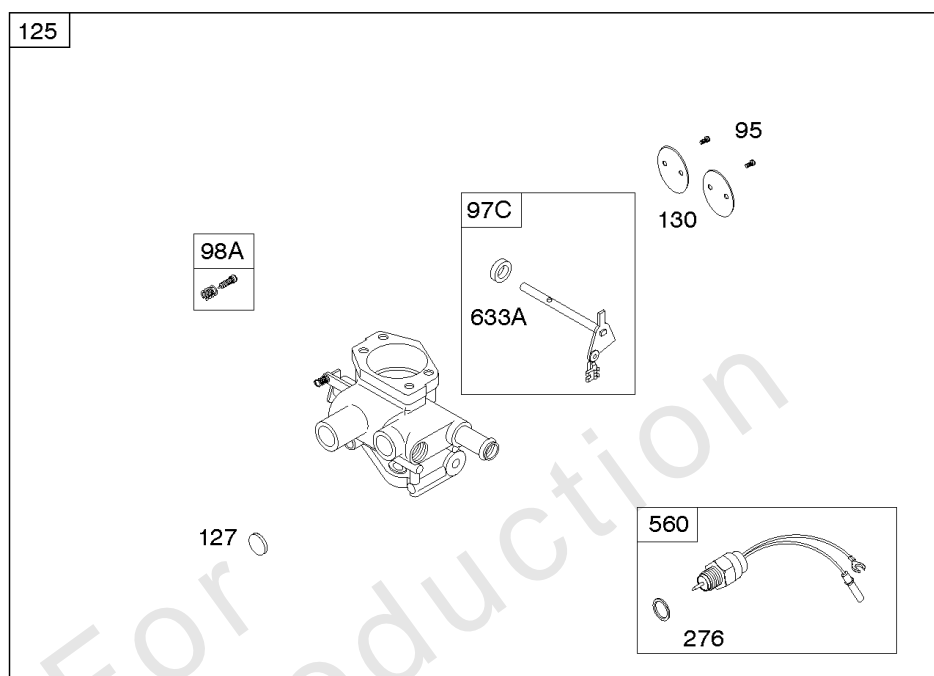
REQUIRED when replacing parts with warning labels affixed.



358 ENGINE GASKET SET

Camshaft, Crankshaft, Cylinder, Gasket Set-Engine, Piston, Rings, Connecting Rod

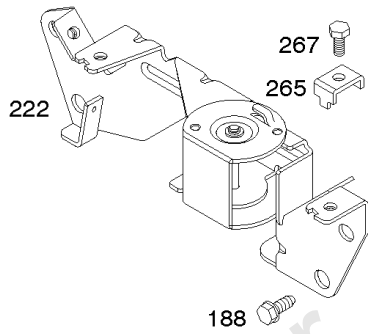
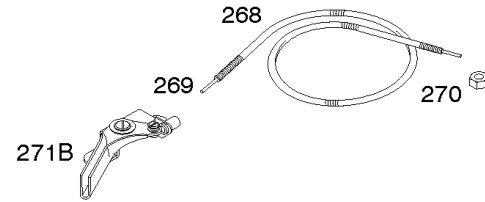
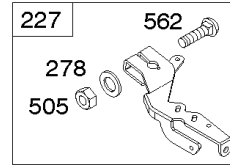
REF NO	PART NO	QTY	DESCRIPTION
358	841188		GASKET SET, Engine -Used After Code Date 01120200
377	808095		KEY, Flywheel
439	692154		O-RING, Oil Gallery -(Crankcase Cover/Sump) or (Cylinder Assembly)
454	693289		CAP, Breather
468	690690		SEAL, O-Ring -(Oil Pump Screen)
524	693172		SEAL, O-Ring -(Dipstick Tube)
572	690686		BAFFLE, Breather -Used Before Code Date 04060100
598	807625		SHIM, End Play -(Crankshaft or Camshaft Bearing)
691	690680		SEAL, Governor Shaft
718	806469		PIN, Locating
741	691530		GEAR, Timing
868	691963		SEAL, Valve
883	691613		GASKET, Exhaust
988	692063		GASKET, Oil Adapter -(Oil Filter Adapter)
1022	806039S		GASKET, Rocker Cover
1025	690689		SPOOL, Governor
1058	276344TRI		MANUAL, Operator's
1319	794467		LABEL, Warning
1330	272144		MANUAL, Repair



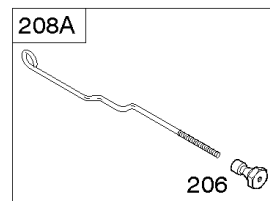
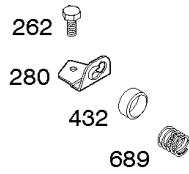
Carburetor, Fuel Supply

REF NO	PART NO	QTY	DESCRIPTION
95	690718		SCREW -(Throttle Valve)
97C	808397		SHAFT, Throttle
98A	808981		KIT, Idle Speed
125	808692		CARBURETOR
127	806460		PLUG, Welch
130	806132		VALVE, Throttle
276	690704		WASHER -(Governor Crank)
276	806998		WASHER, Sealing -(LP/NG Fuel Switch)
527	690423		CLAMP, Tube
560	808693		SWITCH, LP/NG Fuel
633A	695414		SEAL, Choke/Throttle Shaft
1054	280275		TIE, Cable

Not For InReproduction

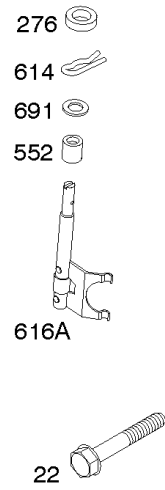
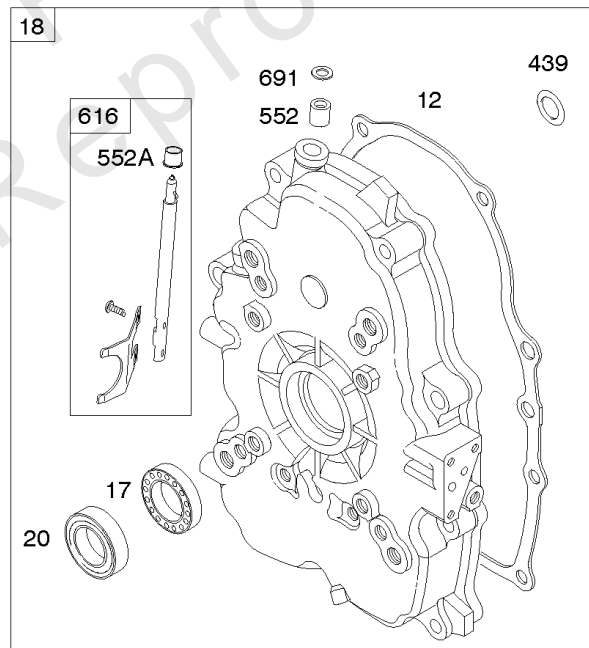
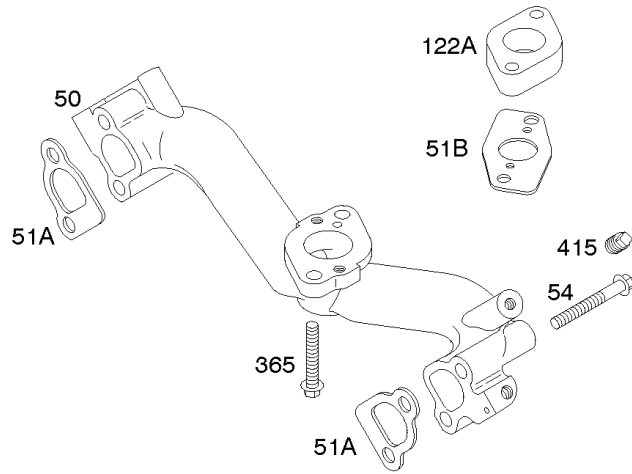


Not For
InRproduction



Controls, Governor Spring

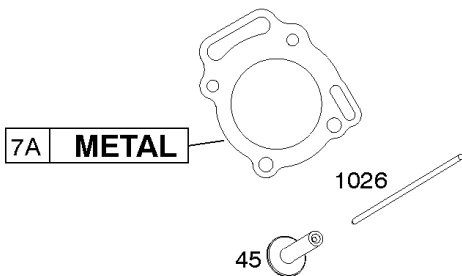
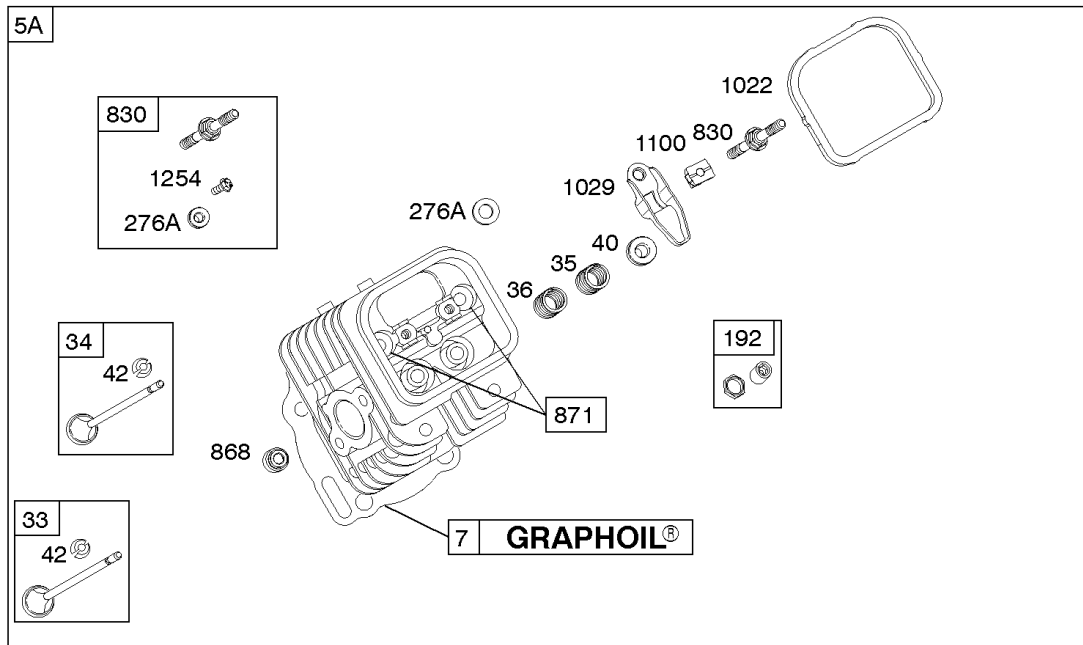
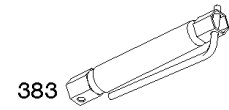
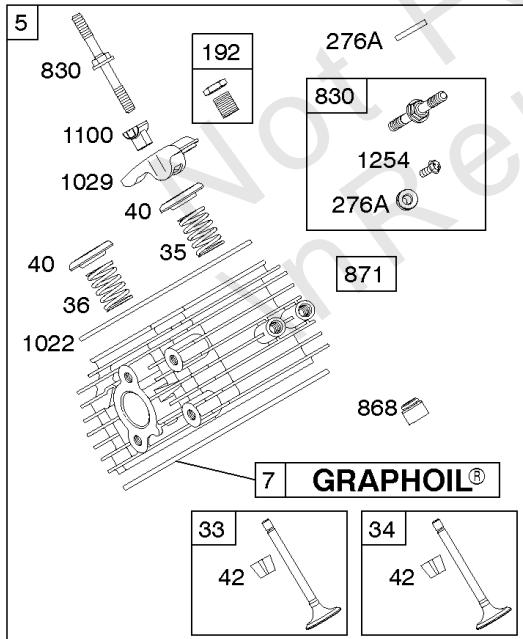
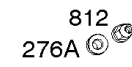
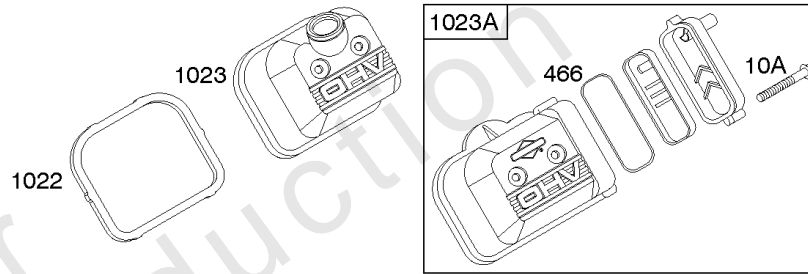
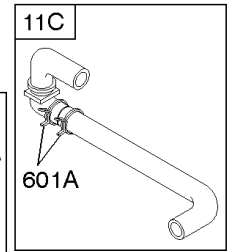
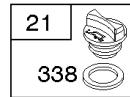
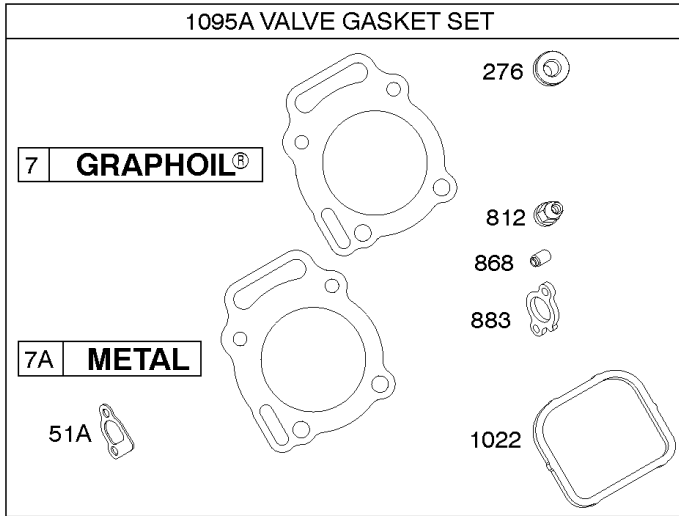
REF NO	PART NO	QTY	DESCRIPTION
188	692056		SCREW -(Control Bracket)
206	691244		NUT, Governor Adjusting
208A	691549		ROD, Governor Control
209	691506		SPRING, Governor -(Yellow)
211A	692068		SPRING, Governed Idle
212	690712		LINK, Throttle
222	808454		BRACKET, Control
227	690236		LEVER, Governor Control
232	692073		SPRING, Governor Link
262	692083		SCREW -(Rod Bracket)
265	691024		CLAMP, Casing
267	692083		SCREW -(Casing Clamp)
268	691025		CASING, Control Wire -(Cut To Required Length)
269	691026		WIRE, Control -(Cut To Required Length)
270	691027		NUT -(Control Wire Casing)
271B	691028		LEVER, Control
278	842122		WASHER -(Governor Control Lever)
280	691526		BRACKET, Fixed Speed
432	691509		CAP, Spring
505	690238		NUT -(Governor Lever)
562	690239		BOLT -(Governor Control Lever)
689	691272		SPRING, Friction



Not For
In-Production

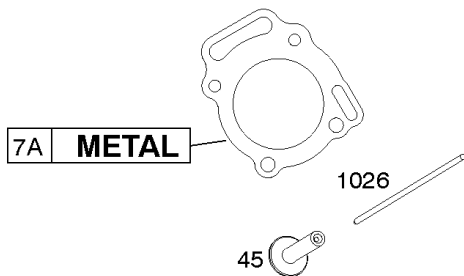
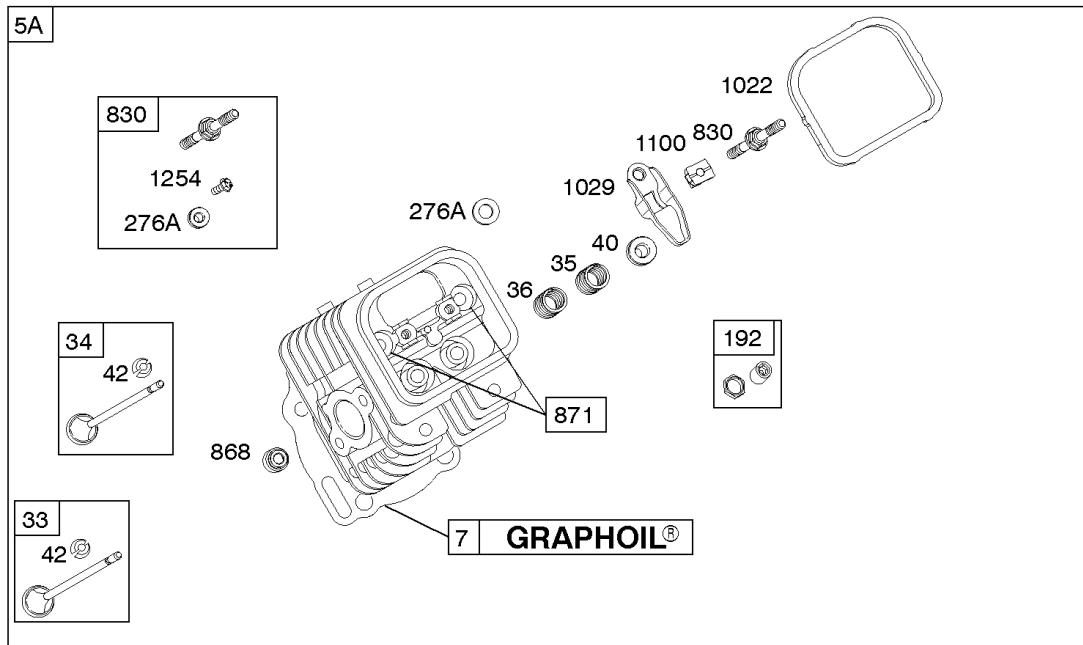
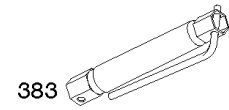
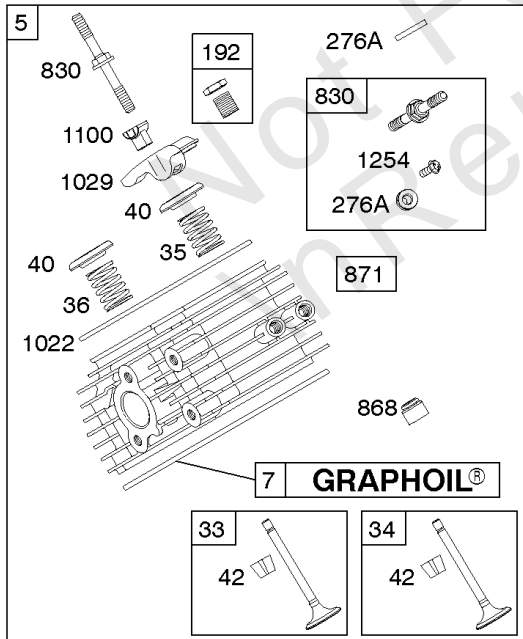
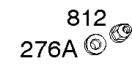
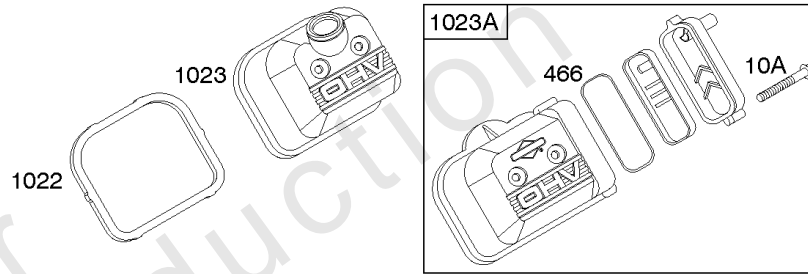
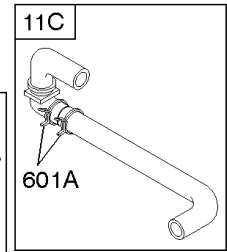
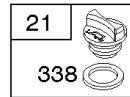
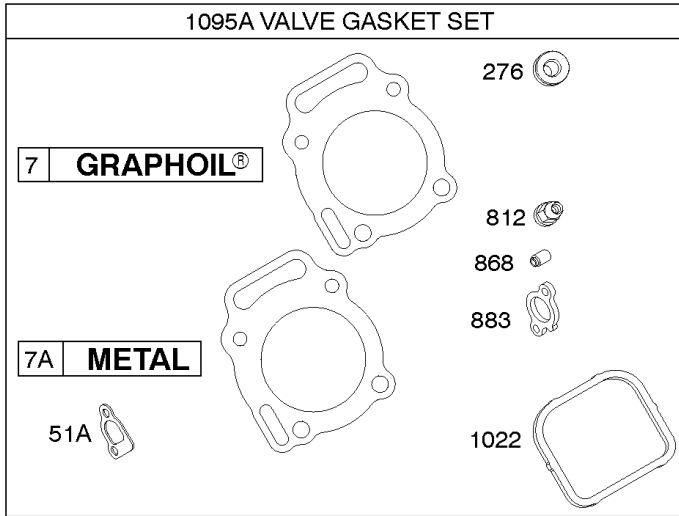
Crankcase Cover, Intake Manifold

REF NO	PART NO	QTY	DESCRIPTION
12	846487		GASKET, Crankcase
17	690752		BEARING, Ball
18	808847		COVER, Crankcase
20	805049S		SEAL, Oil -(PTO Side)
22	807362		SCREW -(Crankcase Cover/Sump)
50	690754		MANIFOLD, Intake -Used After Code Date 00011600
50	692124		MANIFOLD, Intake -(Plug Included) -Used Before Code Date 00011700
51A	692035		GASKET, Intake -(Manifold to Cylinder Head)
51B	806457		GASKET, Intake -(Manifold/Carburetor Spacer)
54	690676		SCREW -(Intake Manifold)
122A	690747		SPACER, Carburetor
276	806998		WASHER, Sealing -(LP/NG Fuel Switch)
276	690704		WASHER -(Governor Crank)
365	690711		SCREW -(Carburetor)
415	690283		PLUG, Oil -(Intake Manifold)
439	692154		O-RING, Oil Gallery -(Crankcase Cover/Sump) or (Cylinder Assembly)
552	690701		BUSHING, Governor Crank -(Output End)
552A	806686		BUSHING, Governor Crank -(Flanged)
614	691550		PIN, Cotter
616	806685		CRANK, Governor -Used After Code Date 99072000
616A	690899		CRANK, Governor -Used Before Code Date 99072100
691	690680		SEAL, Governor Shaft



Cylinder Head, Valves, Gasket Set-Valve

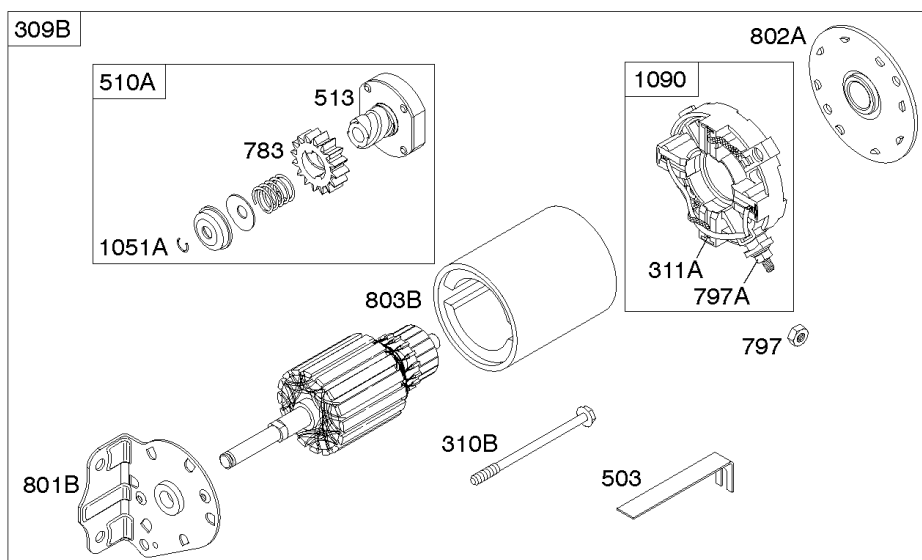
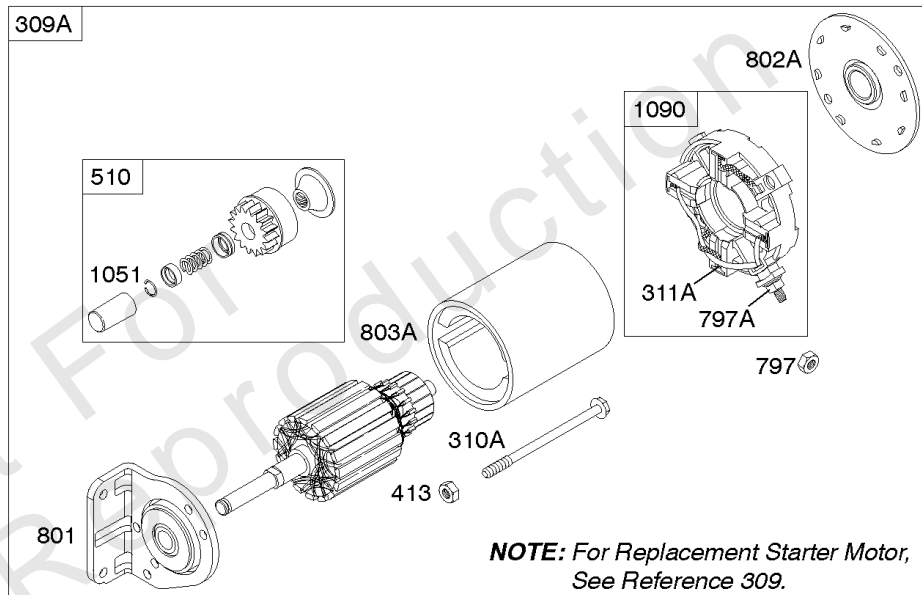
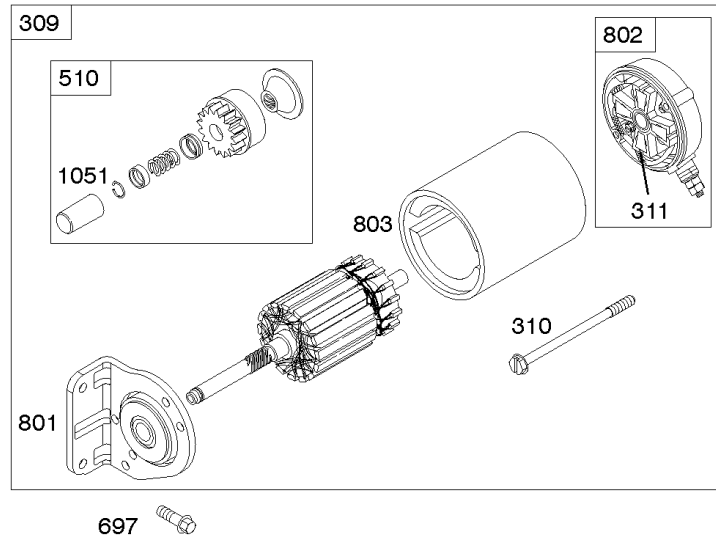
REF NO	PART NO	QTY	DESCRIPTION
5	808698		HEAD, Cylinder -(Cylinder 1)
5A	808699		HEAD, Cylinder -(Cylinder 2)
7	690888		GASKET, Cylinder Head
7A	805653S		GASKET, Cylinder Head -(Metal)
10A	806421		SCREW -(Breather Assembly)
11C	808686		TUBE, Breather
13	692059		SCREW -(Cylinder Head)
21	809500		CAP, Oil Fill
33	808687		VALVE, Exhaust
34	807680		VALVE, Intake
35	692084		SPRING, Valve -(Intake)
36	692084		SPRING, Valve -(Exhaust)
40	692058		RETAINER, Valve
42	807683		KEEPER, Valve
45	690977		TAPPET, Valve
51A	692035		GASKET, Intake -(Manifold to Cylinder Head)
192	807623		ADJUSTER, Rocker Arm
276	690704		WASHER -(Governor Crank)
276	806998		WASHER, Sealing -(LP/NG Fuel Switch)
276A	691766		WASHER, Sealing -(Rocker Cover) -Used Before Code Date 01120300
276A	807085		WASHER, Sealing -(Rocker Cover) -Used After Code Date 01120200
337	491055S		PLUG, Spark
338	691312		SEAL, O-Ring -(Dipstick Tube)
383	19374S		WRENCH, Spark Plug
466	806466		SEAL, O-Ring -(Breather Assembly)
601	841597		CLAMP, Hose -(Oil Hose)
601A	691145		CLAMP, Hose
635	692076		BOOT, Spark Plug
812	692055		NUT -(Rocker Cover) -Used Before Code Date 01120300
830	809157		STUD, Rocker Arm -(Rocker Arm)
868	691963		SEAL, Valve
871	692057		BUSHING, Valve Guide
883	691613		GASKET, Exhaust
1022	806039S		GASKET, Rocker Cover
1023	690758		COVER, Rocker
1023A	843750		COVER, Rocker -(Includes Breather Assembly)



Cylinder Head, Valves, Gasket Set-Valve

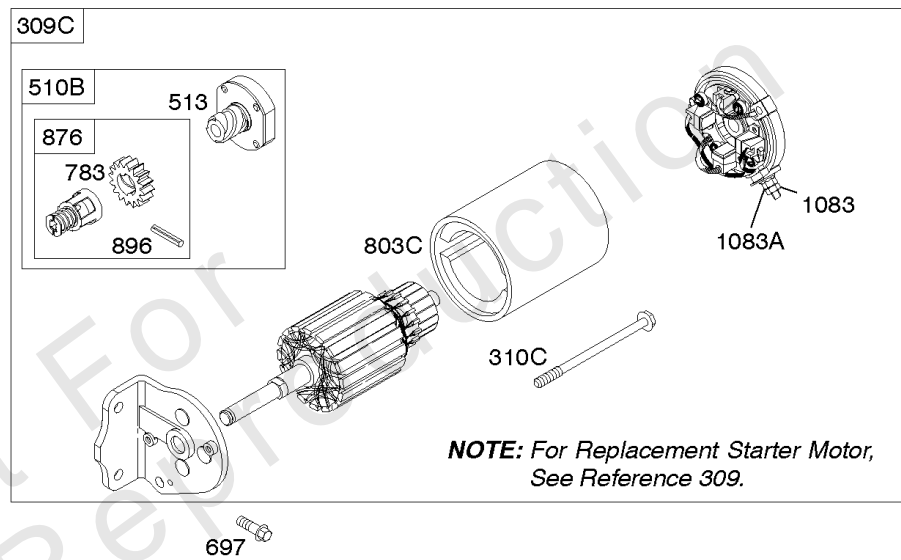
REF NO	PART NO	QTY	DESCRIPTION
1026	691758		ROD, Push -(Exhaust)(Aluminum)
1026	691836		ROD, Push -(Intake)(Steel)
1029	807323		ARM, Rocker
1095A	808391		GASKET SET, Valve
1100	791959		PIVOT, Rocker Arm
1254	807084		SCREW -(Rocker Arm Stud) -Used After Code Date 01120200

Not For In Reproduction



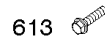
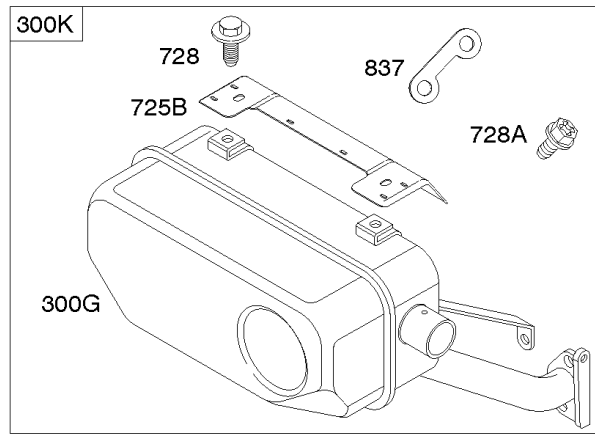
Electric Starter #1

REF NO	PART NO	QTY	DESCRIPTION
309	691564		MOTOR, Starter -(Steel Ring Gear Only)
309B	499521		MOTOR, Starter -(Services Aluminum Ring Gear Only)
310	496880		SCREW -(Starter Motor) (4 1/4)
310A	690323		BOLT -(Starter Motor) (4 7/16" Long)
310B	691263		BOLT -(Starter Motor) (4 3/8 Housing)
311	-----		Brush Set -(Order End Cap 496813, Reference Number 802)
311A	497608		SET, Brush
413	693587		NUT -(Starter Motor)
503	691532		STRAP, Starter
510	496881		DRIVE, Starter -(Steel Pinion Gear)
510A	696541		DRIVE, Starter -(Used With Aluminum Ring Gear)
513	692024		CLUTCH, Drive
697	692062		SCREW -(Drive Cap)
783	695708		GEAR, Pinion -(Services Aluminum Ring Gear Only)
797	691029		NUT -(Brush Retainer)
797A	693167		NUT -(Brush Retainer)
801	808778		CAP, Drive
801B	691283		CAP, Drive
802	496813		RETAINER, Brush
802A	691286		CAP, End
803	690854		HOUSING, Starter -(Air Cleaner Base)
803A	693547		HOUSING, Starter
803B	-----		Housing-Starter -(Serviced By 499521 Starter Motor Only)
1051	691124		RING, Retaining
1051A	691265		RING, Retaining
1090	691293		RETAINER, Brush

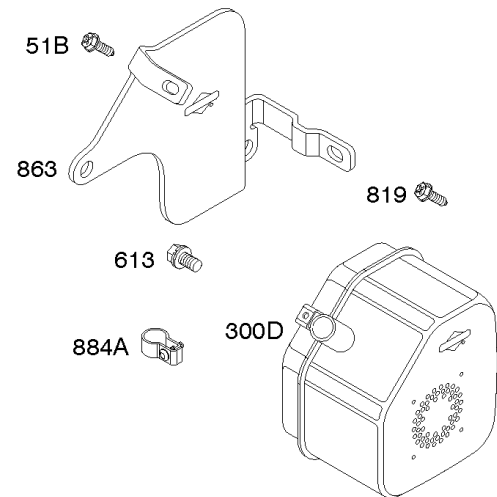
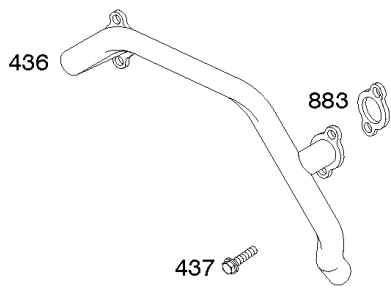


Electric Starter #2

REF NO	PART NO	QTY	DESCRIPTION
309C	-----		Motor-Starter -(For Replacement Starter Motor, Order Reference 309B)
310C	692329		BOLT -(Starter Motor) (4 1/2 And 4 3/8 Housing)
510B	696540		DRIVE, Starter -(4 3/8 Housing)
513	692024		CLUTCH, Drive
697	692062		SCREW -(Drive Cap)
783	695708		GEAR, Pinion -(Services Aluminum Ring Gear Only)
803C	494205		HOUSING, Starter -(4 3/8 Housing)
803C	398892		HOUSING, Starter -(4 9/16 Housing)
876	696539		KIT, Pinion Spring
896	691641		PIN, Drive Retainer
1083	691626		NUT -(End Cap)
1083A	690958		NUT -(End Cap)

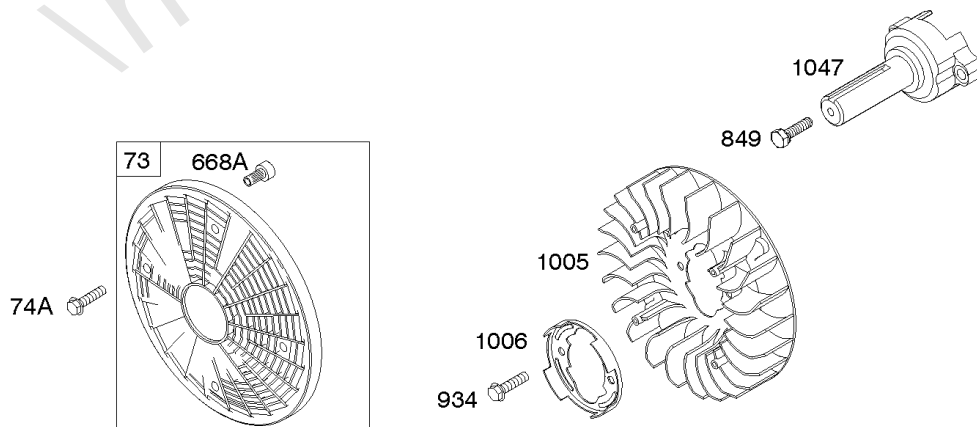
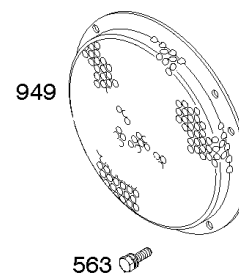
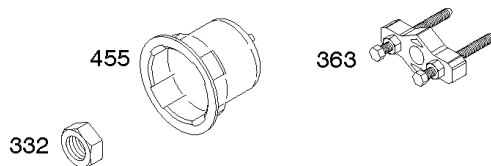
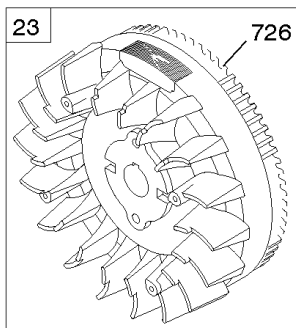


Not For
InReproduction



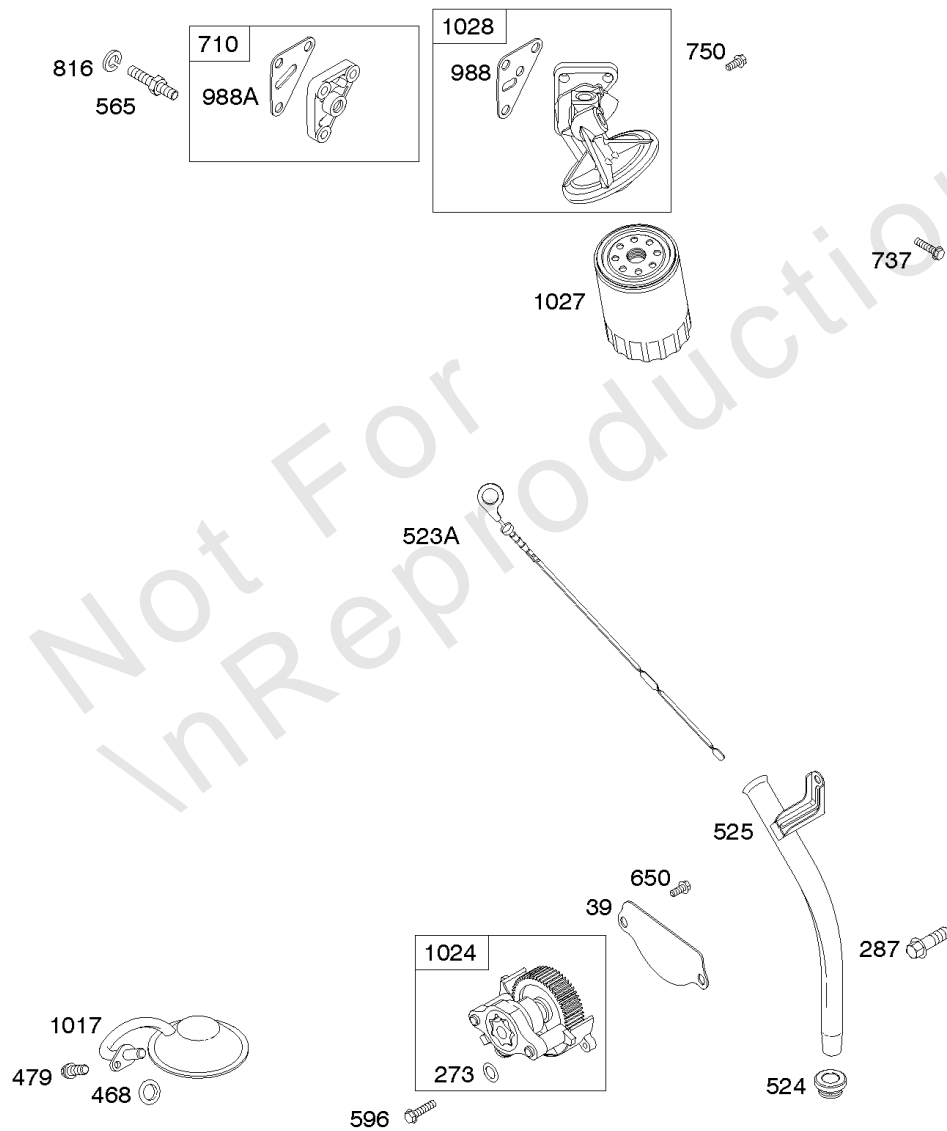
Exhaust System

REF NO	PART NO	QTY	DESCRIPTION
51B	806457		GASKET, Intake -(Manifold/Carburetor Spacer)
300D	692099		MUFFLER
300G	691562		MUFFLER -(Hi Mount)(Oil Filter Side Exit)
300K	808379		MUFFLER
436	692061		MANIFOLD, Exhaust -(Lo Mount)(Oil Filter Side)
437	691902		SCREW -(Exhaust Manifold)
613	692056		SCREW -(Muffler)
725B	691498		SHIELD, Heat
728	691514		SCREW -(Heat Shield)
728A	692067		SCREW -(Heat Shield)
819	692067		SCREW -(Muffler Bracket)
837	808085		SPACER -(Includes 2)
863	691513		BRACKET, Muffler
883	691613		GASKET, Exhaust
884A	690898		CLAMP, Muffler



Flywheel

REF NO	PART NO	QTY	DESCRIPTION
23	808768		FLYWHEEL -(Steel Ring Gear)
73	494439		SCREEN, Rotating -(Flush)
74A	691647		SCREW -(Rotating Screen)
332	690887		NUT -(Flywheel)
363	19203		PULLER, Flywheel
455	690864		CUP, Flywheel
563	691982		SCREW -(Debris Screen Guard)
668A	691500		SPACER
726	-----		Gear-Ring -(Steel)(See Reference 23 for Service)
849	691088		SCREW -(Stub Shaft)
934	691058		SCREW -(Fan Retainer)
949	690475		GUARD, Debris Screen
1005	690911		FAN, Flywheel -Used Before Code Date 00121300
1005	809441		FAN, Flywheel -Used After Code Date 00121200
1006	690452		RETAINER, Fan
1047	841580		SHAFT, Stub



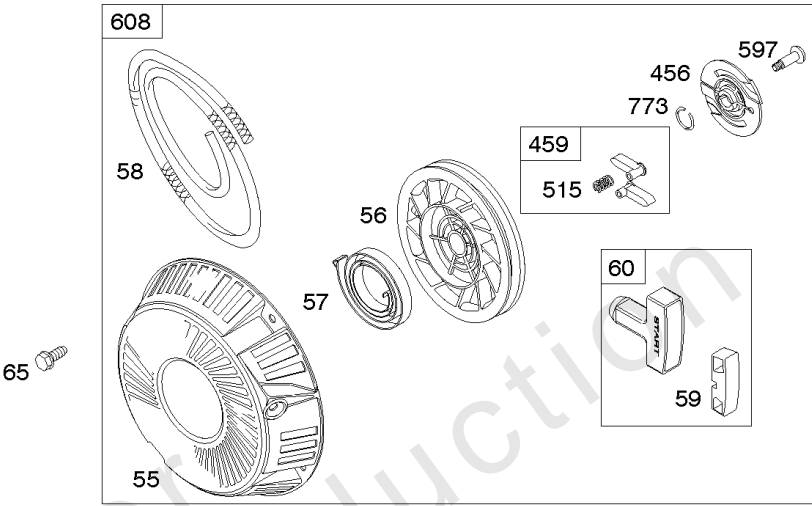
Lubrication

REF NO	PART NO	QTY	DESCRIPTION
39	690745		COVER, Gear
186	693184		CONNECTOR, Hose
273	690681		SEAL, O-Ring -(Oil Pump)
287	692062		SCREW -(Dipstick Tube)
468	690690		SEAL, O-Ring -(Oil Pump Screen)
479	807084		SCREW -(Oil Pump Screen) (M6x14mm)
479	692537		SCREW -(Oil Pump Screen) (M6X16mm)
523A	693175		DIPSTICK
524	693172		SEAL, O-Ring -(Dipstick Tube)
525	693174		TUBE, Dipstick
565	690682		STUD -(Oil Filter Adapter)
596	691492		SCREW -(Oil Pump)
601	841597		CLAMP, Hose -(Oil Hose)
601A	691145		CLAMP, Hose
650	841233		SCREW -(Oil Deflector)
737	690679		SCREW -(Oil Filter Adapter)
750	841233		SCREW -(Oil Pump Cover)
816	690706		WASHER -(Oil Filter Adapter)
829	841999		HOSE/CLAMP ASSEMBLY
988	692063		GASKET, Oil Adapter -(Oil Filter Adapter)
988A	690687		GASKET, Oil Adapter -(Oil Filter Cover)
1017	690900		SCREEN, Oil Pump
1024	693185		PUMP, Oil
1027	492932S		FILTER, Oil
1028	808235		ADAPTER, Oil Filter

Replacement Engine - US & Canada

REF NO	PART NO	QTY	DESCRIPTION
	3594470044	1	Replacement Engine
	-----		Top No-Load Speed: 3750 -Trim: ALL
	-----		Service Note: Transfer Blower Housing, Flywheel and Booster Fan Group to replacement engine. Transfer Electric Starter if original Flywheel is equipped with an aluminum ring gear .
	-----		Service Note: For all Go-Karts use only a Model 136200 series engine as a replacement, regardless of the original Model.
	-----		Service Note: Transfer the Muffler and/or Spark Arrester Assembly from the original engine if suitable for additional service, or add new parts as required. In some cases it maybe necessary to transfer the Oil Filter Adapter to the replacement engine.

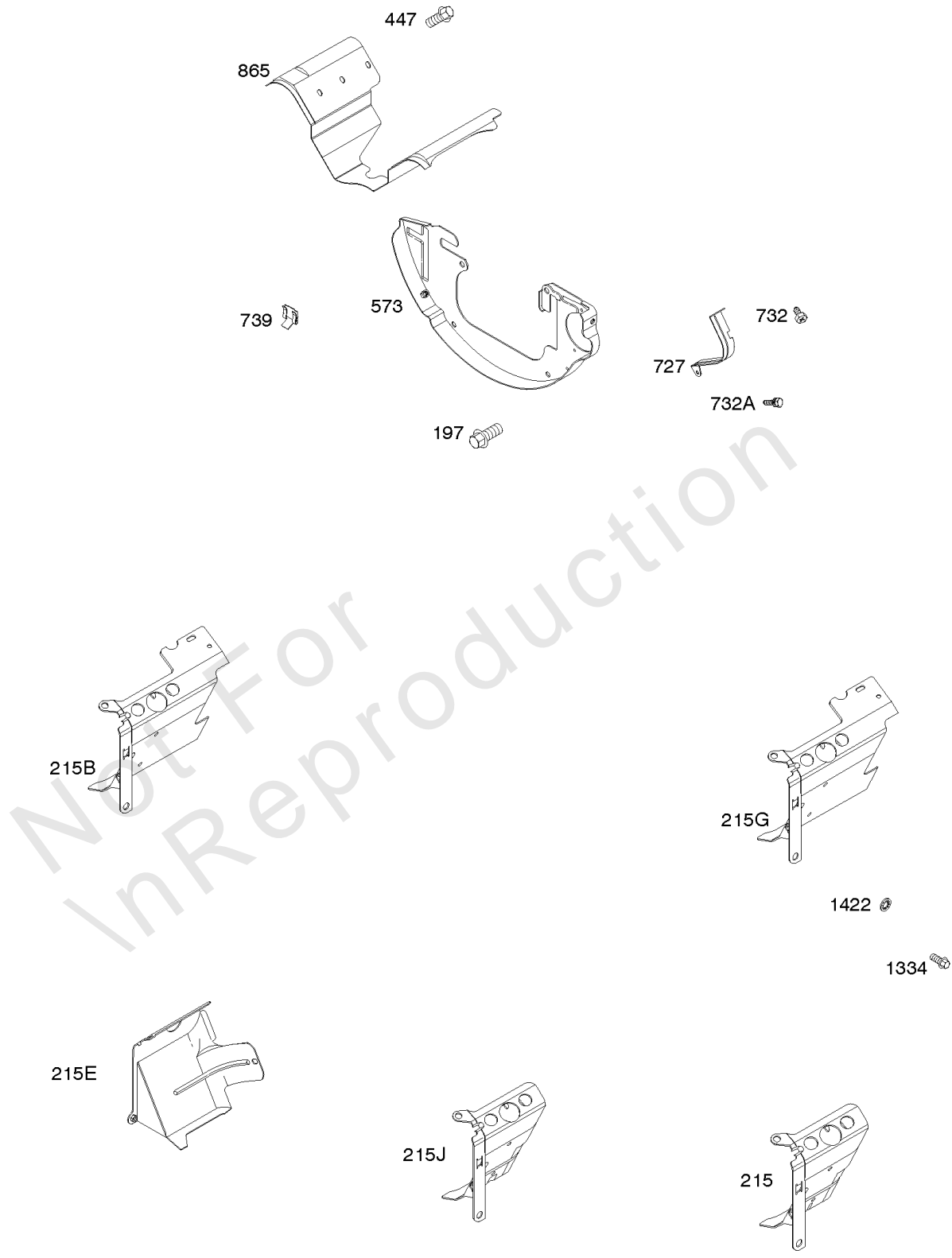
Not For In Reproduction



Rewind Starter

REF NO	PART NO	QTY	DESCRIPTION
55	691568		HOUSING, Rewind Starter
56	692085		PULLEY, Rope Starter
57	692086		SPRING, Rewind Starter
58	66574		ROPE, Starter -(Cut To Required Length)
59	805957		INSERT, Grip
60	808167		GRIP, Starter Rope
65	691982		SCREW -(Rewind Starter)
456	691529		PLATE, Pawl Friction
459	808166		PAWL, Ratchet
515	691528		SPRING, Pawl
597	690876		SCREW -(Pawl Friction Plate)
608	692102		STARTER, Rewind
773	690875		RETAINER

Not For In Reproduction



Shrouds

REF NO	PART NO	QTY	DESCRIPTION
197	807163		SCREW -(Back Plate)
215	841232		COVER, Cylinder Head -(Cylinder 1) (Non-Ducted)
215B	841317		COVER, Cylinder Head -(Cylinder 1) (Ducted)
215E	841316		COVER, Cylinder Head -(Cylinder 2) (Ducted)
215G	806546		COVER, Cylinder Head -(Cylinder 2) (Non-Ducted)
447	841233		SCREW -(Air Guide Cover)
573	841310		PLATE, Back
727	841313		COVER, Starter Drive -(Black)
732	690688		SCREW -(Starter Drive Cover)
732A	841233		SCREW -(Starter Drive Cover)
739	690451		CLIP -(Debris)
865	841312		COVER, Air Guide -(Valley)(Black)
1334	841233		SCREW -(Air Guide)
1422	691551		WASHER -(Air Guide) -Used Before Code Date 03110100

