



Illustrated Parts List

Model Series

304400

TYPE NUMBERS
0300, 0322, 0323, 0416.

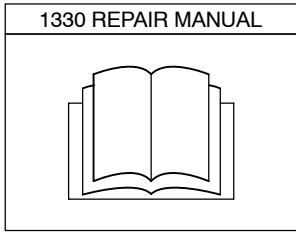
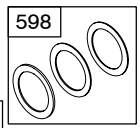
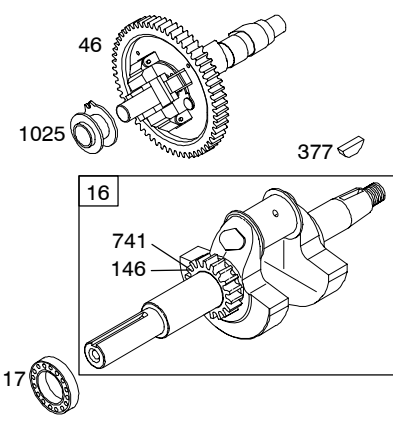
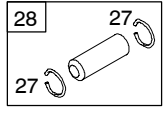
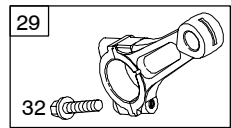
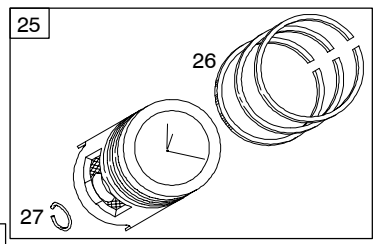
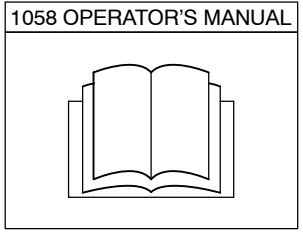
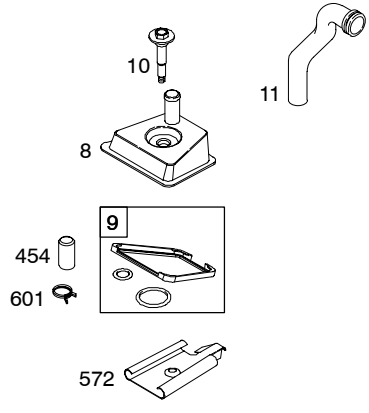
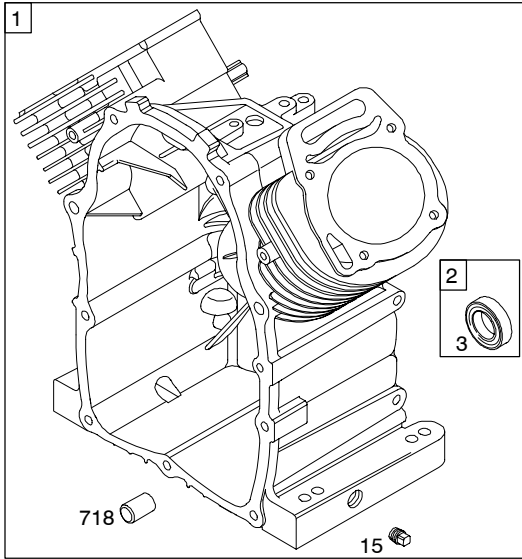
TABLE OF CONTENTS

Air Cleaner	7
Alternator	12
Blower Housing	10
Camshaft	2
Carburetor	6
Controls	8
Crankcase Cover/Sump	4
Crankshaft	2
Cylinder	2
Cylinder Head	2
Electric Starter	13
Flywheel	11
Gasket Set - Engine	2
Governor Spring	8
Ignition	12
Intake Manifold	4
Lubrication	5
Piston/Rings/Connecting Rod	2
Shrouds	9
Valve Gasket Set	3



PRINTED IN U.S.A.

COPYRIGHT by BRIGGS & STRATTON CORPORATION
All rights reserved. No part of this material may be reproduced or transmitted, in any form or by any means, electronic or mechanical, including photocopying, recording or by any information storage and retrieval system, without permission in writing from Briggs & Stratton Corporation.



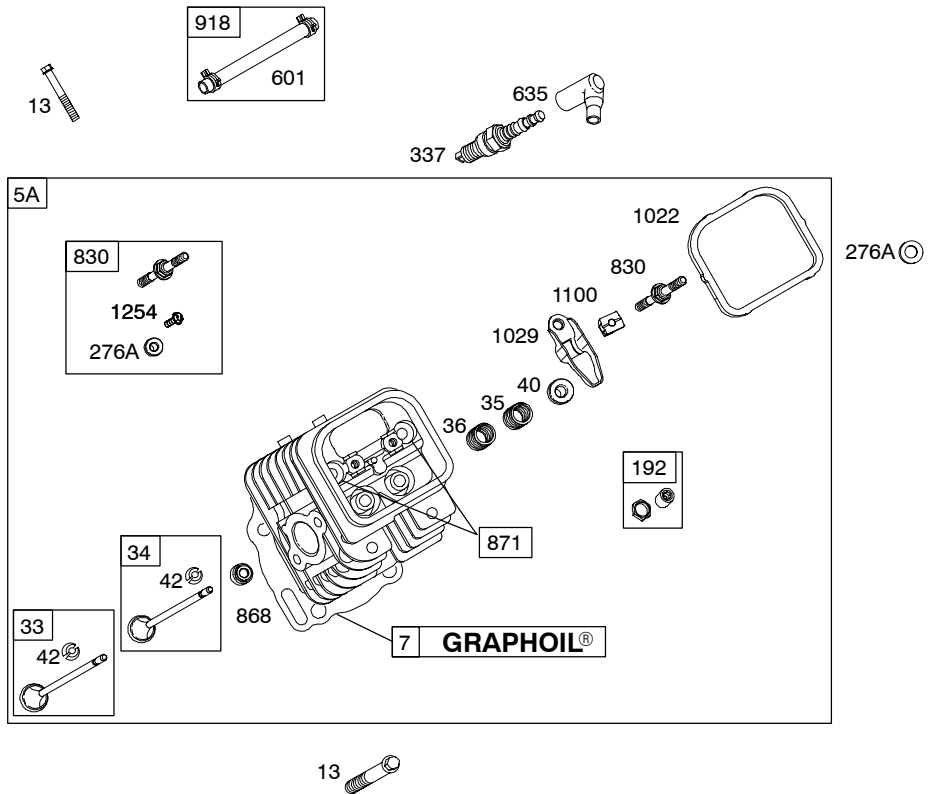
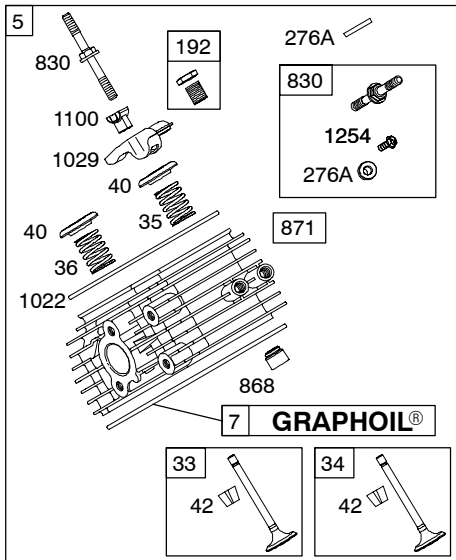
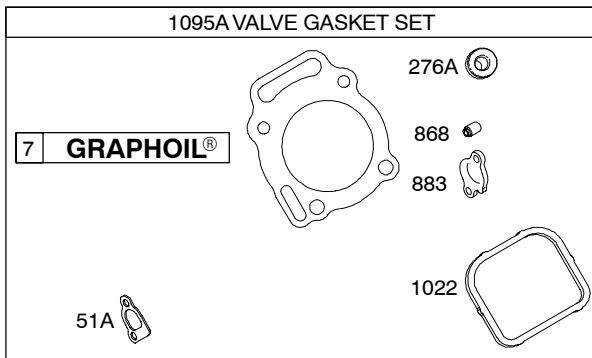
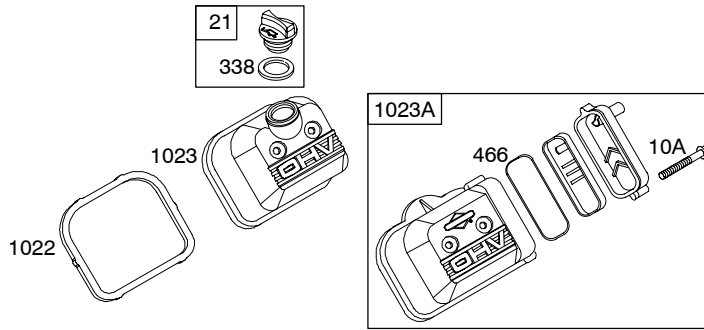
1319 WARNING LABEL

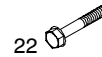
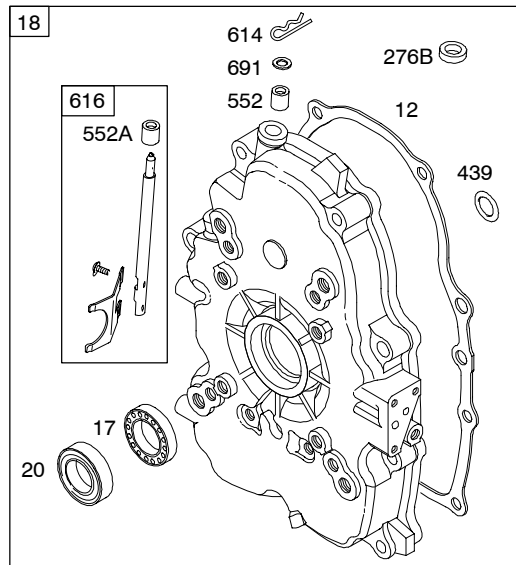
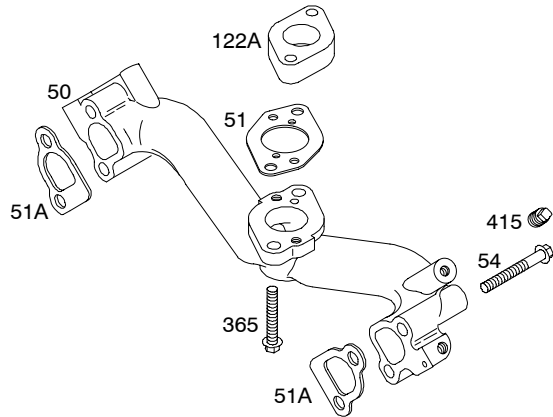
WARNING

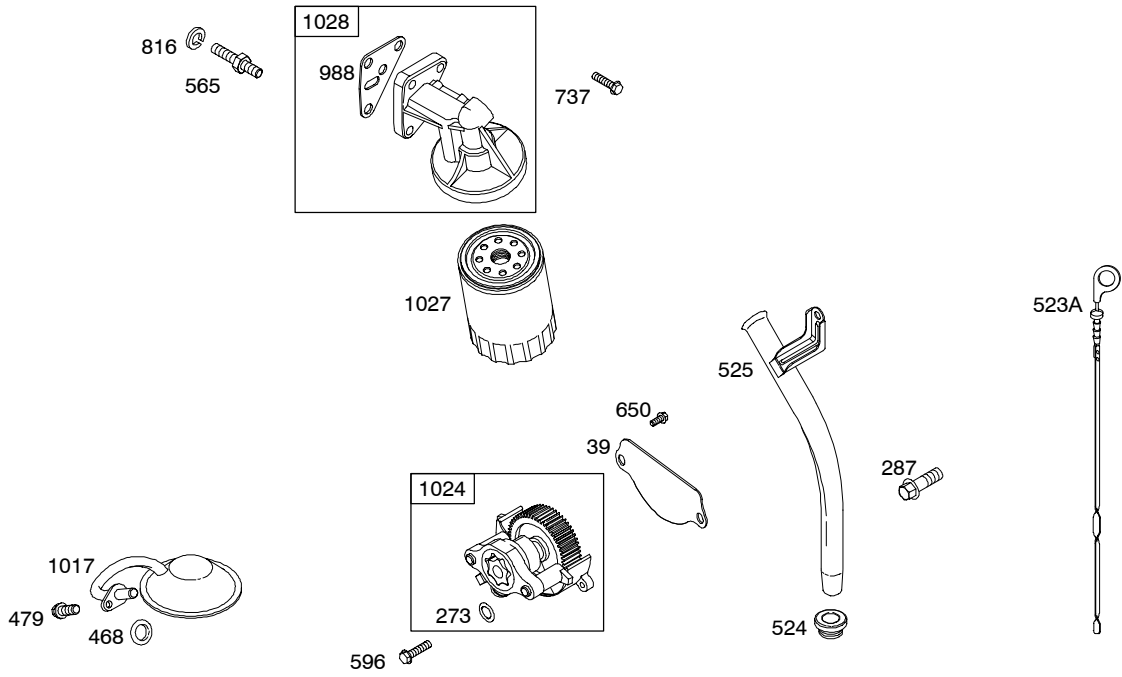
- Read and follow Operating Instructions before running engine.
- Gasoline is flammable. Allow engine to cool at least 2 minutes before refueling.
- Engines emit carbon monoxide, DO NOT run in enclosed area.
- Muffler area temperature may exceed 150°F. Do not touch hot parts.

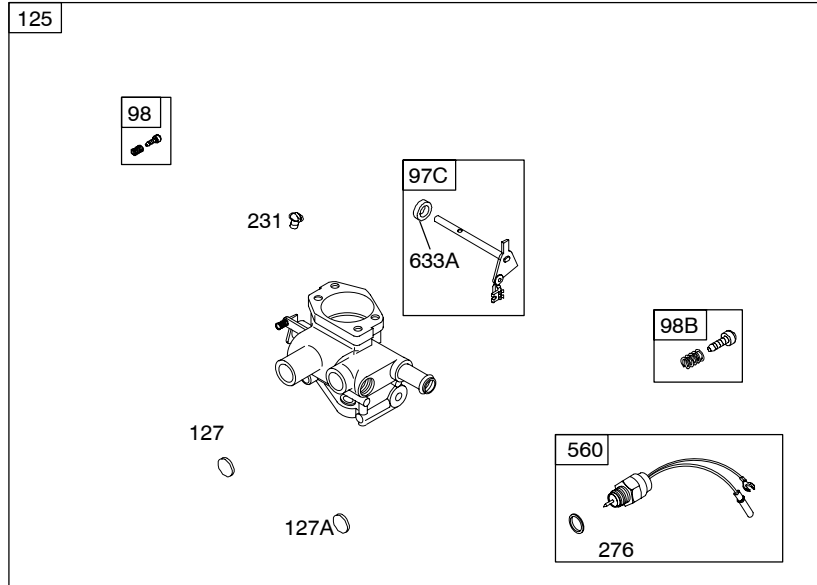
REQUIRED when replacing parts with warning labels affixed.

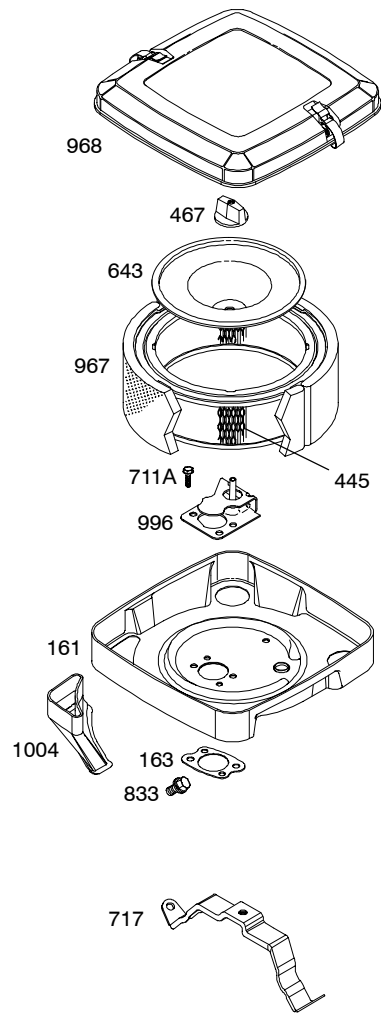
358 ENGINE GASKET SET

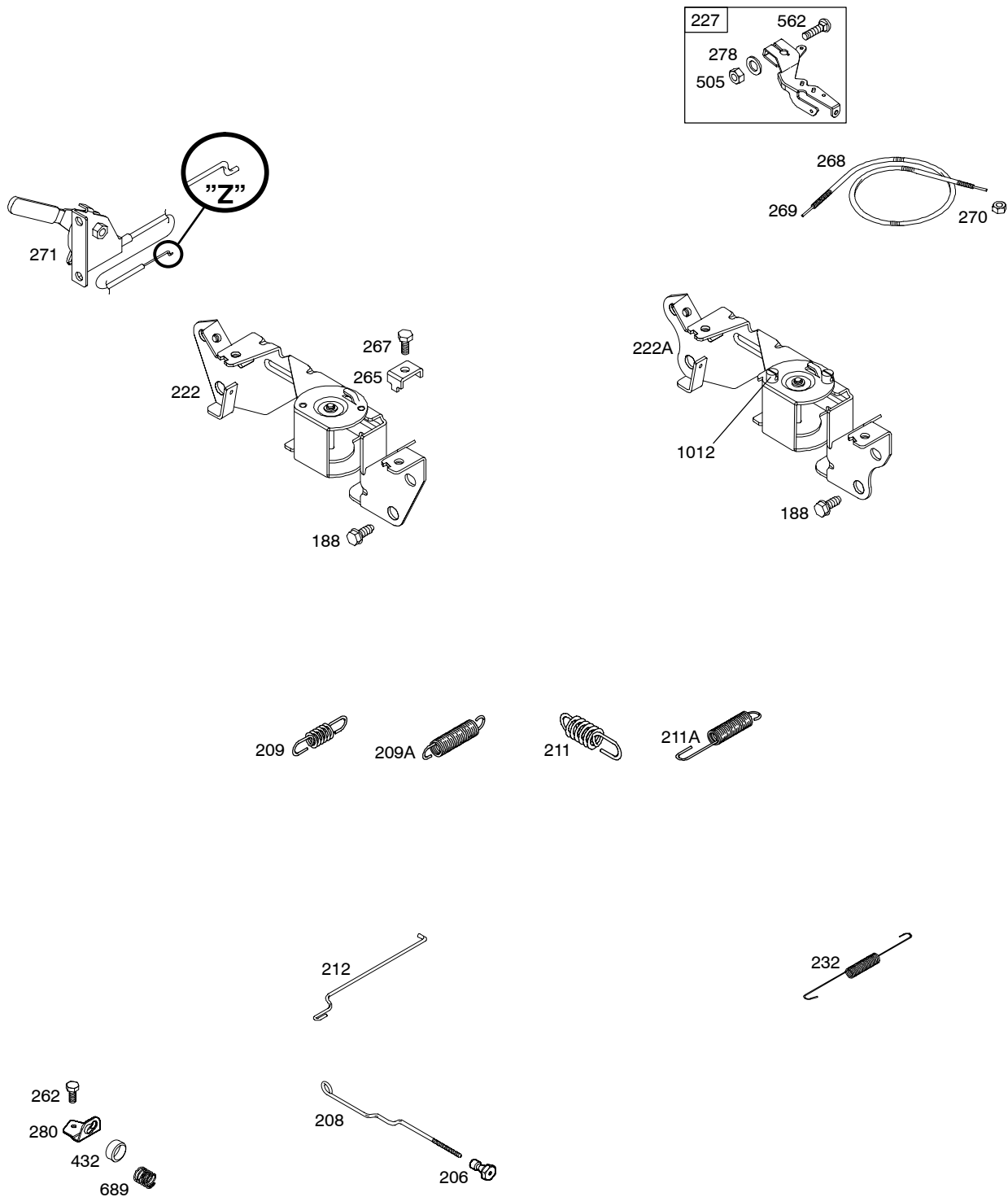


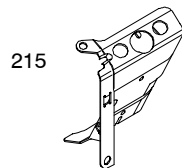
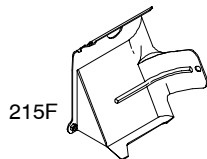
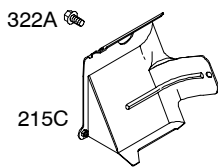
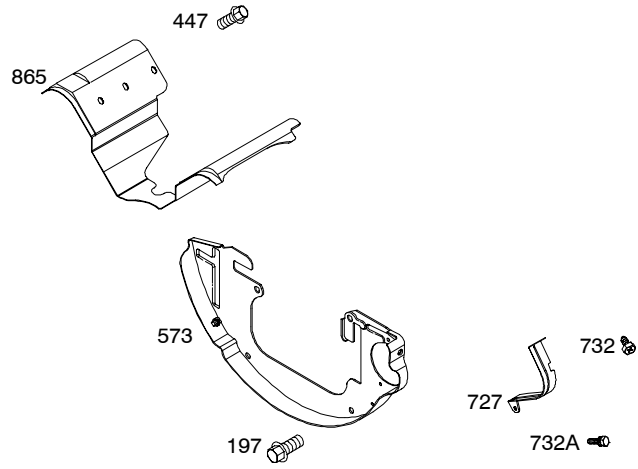






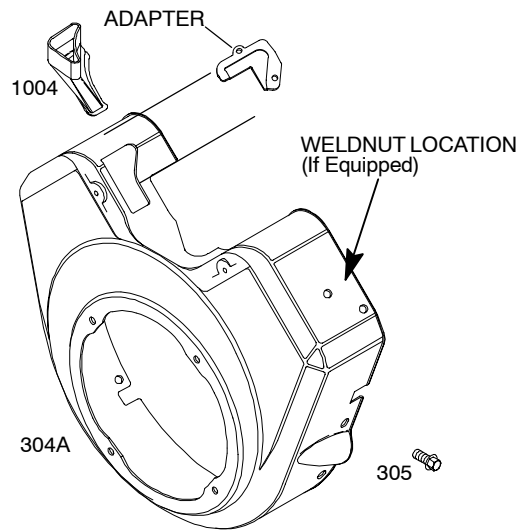


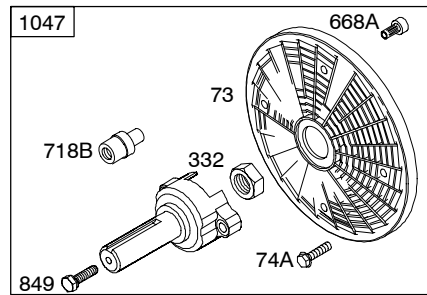
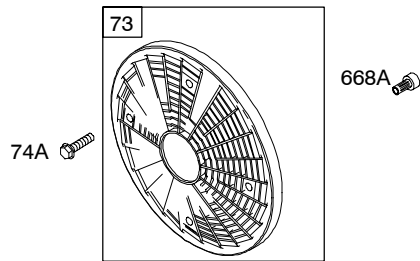
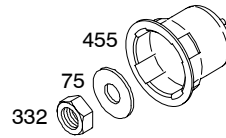
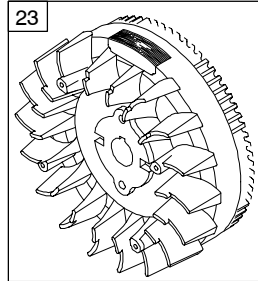


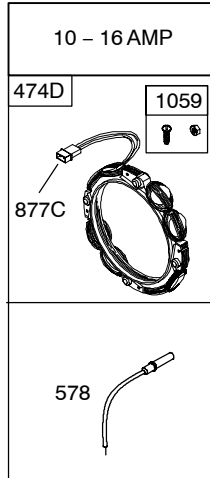


1036 EMISSIONS LABEL

METAL AIR CLEANER BASE

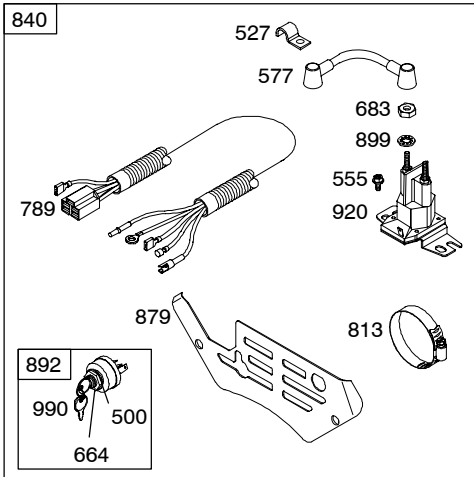






1119

526
501

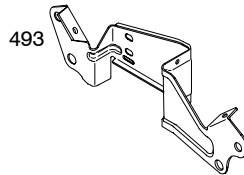
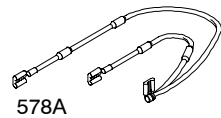


506

239

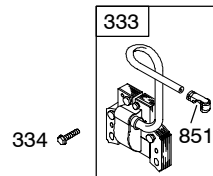
729

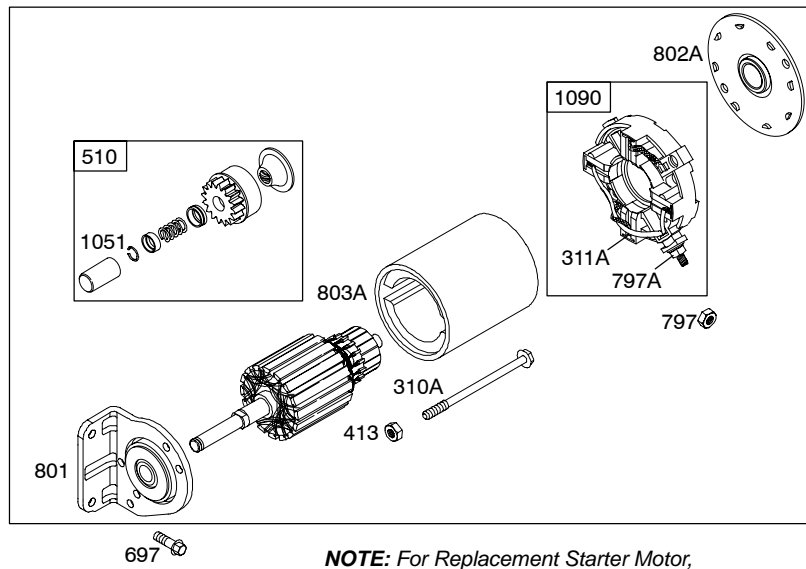
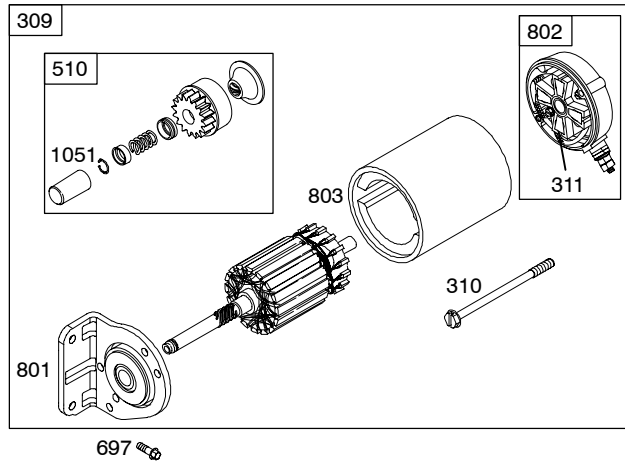
529



1054

507
520
359
373





304400

REF. NO.	PART NO.	DESCRIPTION	REF. NO.	PART NO.	DESCRIPTION	REF. NO.	PART NO.	DESCRIPTION
1	808690	Cylinder Assembly	26	807620	Ring Set (Standard)	209	692070	Spring-Governor
2	808534	Kit-Bushing/Seal (Magneto Side)			----- Note -----			----- Note -----
3	805101S	Seal-Oil (Magneto Side)		807810	Ring Set (.020" Oversize)			691506 Spring-Governor
5	808688	Head-Cylinder	27	690683	Lock-Piston Pin			Used on Type No(s). 0322.
5A	808689	Head-Cylinder	28	807621	Pin-Piston	209A	690709	Spring-Governor
7	806085S	Gasket-Cylinder Head	29	807900S	Rod-Connecting			Used on Type No(s). 0323.
8	808984	Breather Assembly (Used Before Code Date 04060100).	32	690698	Screw (Connecting Rod)	211	692069	Spring-Governed Idle
9	809094	Gasket-Breather (Used Before Code Date 04060100).	33	808687	Valve-Exhaust			----- Note -----
10	690751	Screw (Breather Assembly) (Used Before Code Date 04060100).	34	807680	Valve-Intake			692068 Spring-Governed Idle
10A	806421	Screw (Breather Assembly)	35	692084	Spring-Valve (Intake)			Used on Type No(s). 0322.
11	808686	Tube-Breather	36	692084	Spring-Valve (Exhaust)	211A	690707	Spring-Governed Idle
12	842589	Gasket-Crankcase	39	690745	Deflector-Oil			Used on Type No(s). 0323.
13	692059	Screw (Cylinder Head)	40	692058	Retainer-Valve	215	841232	Guide-Air (Cylinder 1)
15	690946	Plug-Oil Drain	42	807683	Keeper-Valve	215C	806546	Guide-Air (Cylinder 2) (Non Ducted)
16	692161	Crankshaft	45	690977	Tappet-Valve			(Used Before Code Date 03110100).
		----- Note -----	46	691557	Camshaft	215F	841182	Guide-Air (Cylinder 2)
		692163 Crankshaft	50	692124	Manifold-Intake			(Used After Code Date 03103100).
		Used on Type No(s). 0322, 0323.	51	806457	Gasket-Intake	212	690712	Link-Throttle
17	690752	Bearing-Ball	51A	692035	Gasket-Intake	222	808454	Bracket-Control
18	808847	Cover-Crankcase	54	690676	Screw (Intake Manifold)	222A	691570	Bracket-Control
		----- Note -----	73	494439	Screen-Rotating			Used on Type No(s). 0416.
		808850 Cover-Crankcase	74A	691647	Screw (Rotating Screen)	227	690236	Lever-Governor Control
		Used on Type No(s). 0323.	75	691490	Washer (Flywheel)	231	690718	Screw (Choke Valve)
20	805049S	Seal-Oil (PTO Side)	97C	808397	Shaft-Throttle	232	692073	Spring-Governor Link
21	*805049	Cap-Oil Fill	98	841842	Kit-Idle Speed	239	690233	Switch-Oil Pressure
22	807362	Screw (Crankcase Cover/Sump)	98B	808177	Kit-Idle Speed	262	692083	Screw (Rod Bracket)
23	808766	Flywheel	122A	690747	Spacer-Carburetor	265	691024	Clamp-Casing
25	807619	Piston Assembly (Standard)	125	808692	Carburetor	267	692083	Screw (Casing Clamp)
		----- Note -----	127	694916	Plug-Welch	268	691025	Casing-Control Wire
		807809 Piston Assembly	127A	806460	Plug-Welch	269	691026	Wire-Control
		(.020" Oversize)	146	691639	Key-Timing	270	691027	Nut (Control Wire Casing)
			161	691561	Base-Air Cleaner (Metal)	271	691028	Lever-Control
			163	692081	Gasket-Air Cleaner	273	690681	Seal-O Ring (Oil Pump)
			188	692056	Screw (Control Bracket)			
			192	807623	Adjuster-Rocker Arm			
			197	807163	Screw (Back Plate)			
			206	691244	Nut-Governor Adjusting			
			208	691549	Rod-Governor Control			

Engine Gasket Set-Reference 358

Valve Gasket Set-Reference 1095A

REF. NO.	PART NO.	DESCRIPTION	REF. NO.	PART NO.	DESCRIPTION	REF. NO.	PART NO.	DESCRIPTION
276	806998	Washer-Sealing (LP/NG Fuel Switch)	338	691312	Gasket-Dipstick	501	691185	Regulator
276A	807085	Washer-Sealing (Used After Code Date 01120200). ----- Note ----- 691766 Washer-Sealing (Used Before Code Date 01120300).	358	841188	Gasket Set-Engine (Used After Code Date 01120200). ----- Note ----- 808704 Gasket Set-Engine (Used Before Code Date 01120300).	503	691532	Strap-Starter
276B	690704	Washer-Sealing (Crankcase Cover/Sump)	359	691077	Washer (Ground Terminal)	505	690238	Nut (Governor Control Lever)
278	842122	Washer (Governor Control Lever)	365	690711	Screw (Carburetor)	506	690677	Screw (Carburetor Cover)
280	691526	Bracket-Rod	373	691612	Nut (Ground Terminal)	507	691972	Insulator
287	692062	Screw (Dipstick Tube)	377	808095	Key-Woodruff	510	496881	Drive-Starter
304A	808055	Housing-Blower (Red) ----- Note ----- 808408 Housing-Blower (Black)	378	691077	Washer (Ground Terminal)	520	691084	Terminal-Ground
305	692056	Screw (Blower Housing)	377	808095	Key-Woodruff	523A	693175	Dipstick
309	691564	Motor-Starter	413	693587	Nut (Starter Motor)	524	693172	Seal-Dipstick Tube
310	496880	Screw (Starter Motor)	415	690283	Plug	525	693174	Tube-Dipstick
310A	690323	Screw (Starter Motor)	432	691509	Cap-Spring	526	692067	Screw (Regulator)
311	496887	Brush Set	437	691902	Screw (Exhaust Manifold)	527	690423	Clamp-Tube
311A	395538	Brush Set	439	692154	Seal-O Ring (Crankcase Cover/Sump)	529	690744	Grommet
318	807163	Screw (Mounting Bracket)	445	841359	Filter-Air Cleaner Cartridge (Used After Code Date 04022900). ----- Note ----- 394018S Filter-Air Cleaner Cartridge (Used Before Code Date 04030100).	552	690701	Bushing-Governor Crank
322	841233	Screw (Cylinder Head Cover)	447	807163	Screw (Air Guide Cover)	552A	806686	Bushing-Governor Crank
322A	692067	Screw (Cylinder Head Cover)	454	693289	Cap-Breather	555	692067	Screw (Starter Solenoid)
332	690887	Nut (Flywheel)	455	691517	Cup-Flywheel	560	808693	Switch-LP/NG Fuel
333	492341	Armature-Magneto	466	806466	Seal-O Ring (Breather Assembly)	562	690239	Bolt (Governor Control Lever)
334	692066	Screw (Magneto Armature)	467	691985	Knob-Air Cleaner	565	690682	Stud (Oil Filter Adapter)
337	491055S	Plug-Spark ----- Note ----- 792015 Plug-Spark Used on Type No(s). 0323.	468	690690	Seal-O Ring (Oil Pump Screen)	572	690686	Baffle-Breather (Used Before Code Date 04060100).
			474D	696458	Alternator	573	841310	Plate-Back
			479	807084	Screw (Oil Pump Screen) ----- Note ----- 692537 Screw (Oil Pump Screen) Used on Type No(s). 0323.	577	690795	Cable-Starter
			493	691177	Bracket-Mounting	578	692306	Wire Assembly
			500	691086	Washer (Key Switch)	578A	692319	Wire Assembly
						596	691492	Screw (Oil Pump)
						598	807625	Shim-End Play (Crankshaft or Camshaft Bearing)
						601	691145	Clamp-Hose
						613	691902	Screw (Muffler)
						614	691550	Pin-Cotter
						616	806685	Crank-Governor
						633A	695414	Seal-Choke/Throttle Shaft
						635	692076	Boot-Spark Plug

Engine Gasket Set-Reference 358

Valve Gasket Set-Reference 1095A

304400

REF. NO.	PART NO.	DESCRIPTION	REF. NO.	PART NO.	DESCRIPTION	REF. NO.	PART NO.	DESCRIPTION
638	691551	Washer (Cylinder Head Cover) (Used Before Code Date 03110100)	797	691029	Nut (Brush Retainer)	892	692318	Switch-Key
643	692079	Retainer-Air Filter	797A	693167	Nut (Brush Retainer)	899	691077	Washer (Starter Solenoid)
650	841233	Screw (Oil Deflector)	801	808778	Cap-Drive	914	806421	Screw (Rocker Cover)
664	691087	Nut (Key Switch)	802	496813	Cap-End	918	393815	Hose-Vacuum
668A	691500	Spacer	802A	691286	Cap-End	920	691656	Solenoid-Starter
683	691029	Nut (Starter Solenoid)	803	690854	Housing-Starter	967	272490S	Filter-Pre Cleaner
689	691272	Spring-Friction	803A	693547	Housing-Starter	968	699959	Cover-Air Cleaner
691	690680	Seal-Governor Shaft	813	690635	Clamp	988	692063	Gasket-Oil Adapter
697	692062	Screw (Drive Cap)	816	690706	Washer (Oil Filter Adapter)	990	691959	Key Set
711A	690677	Screw (Carburetor Shield)	830	809157	Stud-Rocker Arm	996	691577	Shield-Carburetor
717	692153	Bracket-Air Cleaner	833	841233	Screw (Air Cleaner Mounting Strap/Stud)	1004	690743	Duct-Air
718	806469	Pin-Locating	840	842828	Kit-Panel	1012	690592	Retainer-Link
718B	841581	Pin-Locating	849	691088	Screw (Stub Shaft)	1017	690900	Screen-Oil Pump
727	841313	Cover-Starter Drive	851	493880S	Terminal-Spark Plug	1022	806039S	Gasket-Rocker Cover
729	690586	Clip-Wire	865	841312	Cover-Air Guide	1023	690758	Cover-Rocker
732	690688	Screw (Starter Drive Cover)	868	691963	Seal-Valve	1023A	808648	Cover-Rocker
732A	841233	Screw (Starter Drive Cover)	871	692057	Bushing-Valve Guide	1024	693185	Pump-Oil
737	690679	Screw (Oil Filter Adapter)	877C	399916	Wire/Connector- Alternator			
741	691530	Gear-Timing	879	806648	Cover-Carburetor			
789	691578	Harness-Wiring	883	691613	Gasket-Exhaust			
		----- Note ----- 691996 Harness- Wiring Used on Type No(s). 0323, 0416.						

Engine Gasket Set-Reference 358

Valve Gasket Set-Reference 1095A

REF. NO.	PART NO.	DESCRIPTION	REF. NO.	PART NO.	DESCRIPTION	REF. NO.	PART NO.	DESCRIPTION
1025	690689	Spool-Governor	1047	841580	Shaft-Stub			
1026	691836	Rod-Push (Intake)(Steel)	1051	691124	Ring-Retaining			
		----- Note -----	1054	280275	Tie-Cable			
	691758	Rod-Push (Exhaust)(Aluminum)	1058	276343	Operator's Manual			
1027	842921	Filter-Oil	1059	698516	Kit-Screw/Washer			
1028	808235	Adapter-Oil Filter	1090	691293	Retainer-Brush			
1029	807323	Arm-Rocker	1095A	841191	Gasket Set-Valve (Used After Code Date 01120200).			
1036		Label-Emissions (Available from a Briggs & Stratton Dealer)			----- Note ----- 808391 Gasket Set-Valve (Used Before Code Date 01120300).			
			1100	791959	Pivot-Rocker Arm			
			1119	691552	Screw (Alternator)			
			1254	807084	Screw (Rocker Cover Stud) (Used After Code Date 01120200).			
			1319	794467	Label-Warning			
			1330	272144	Repair Manual			

Engine Gasket Set-Reference 358

Valve Gasket Set-Reference 1095A