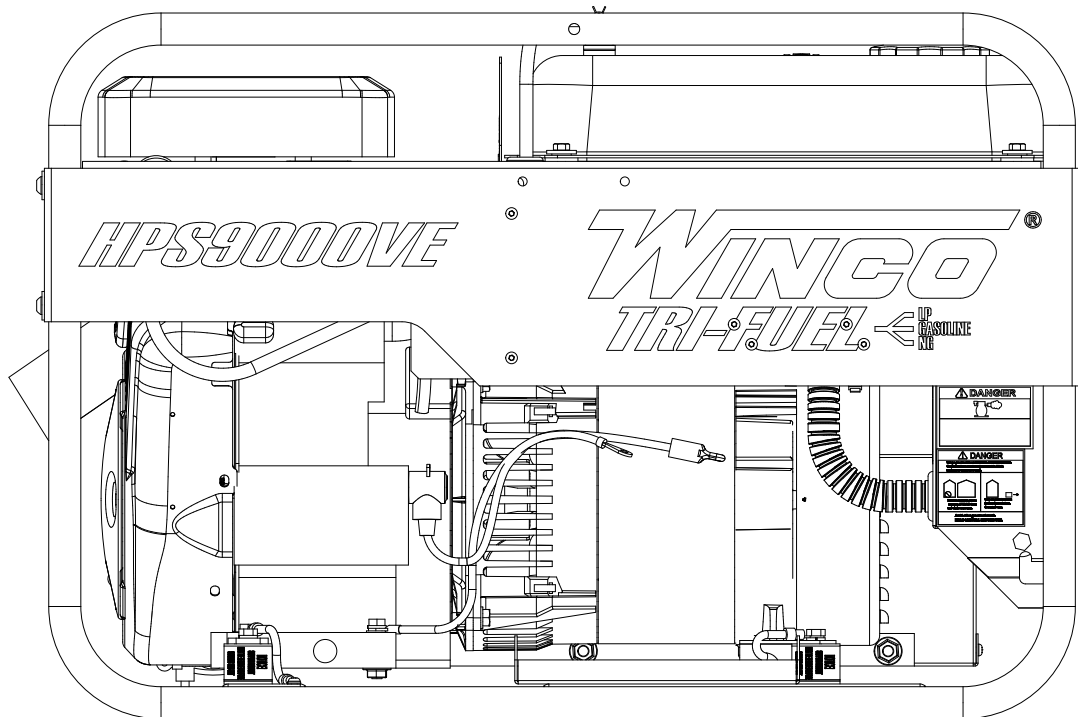


WINCO INC[®]

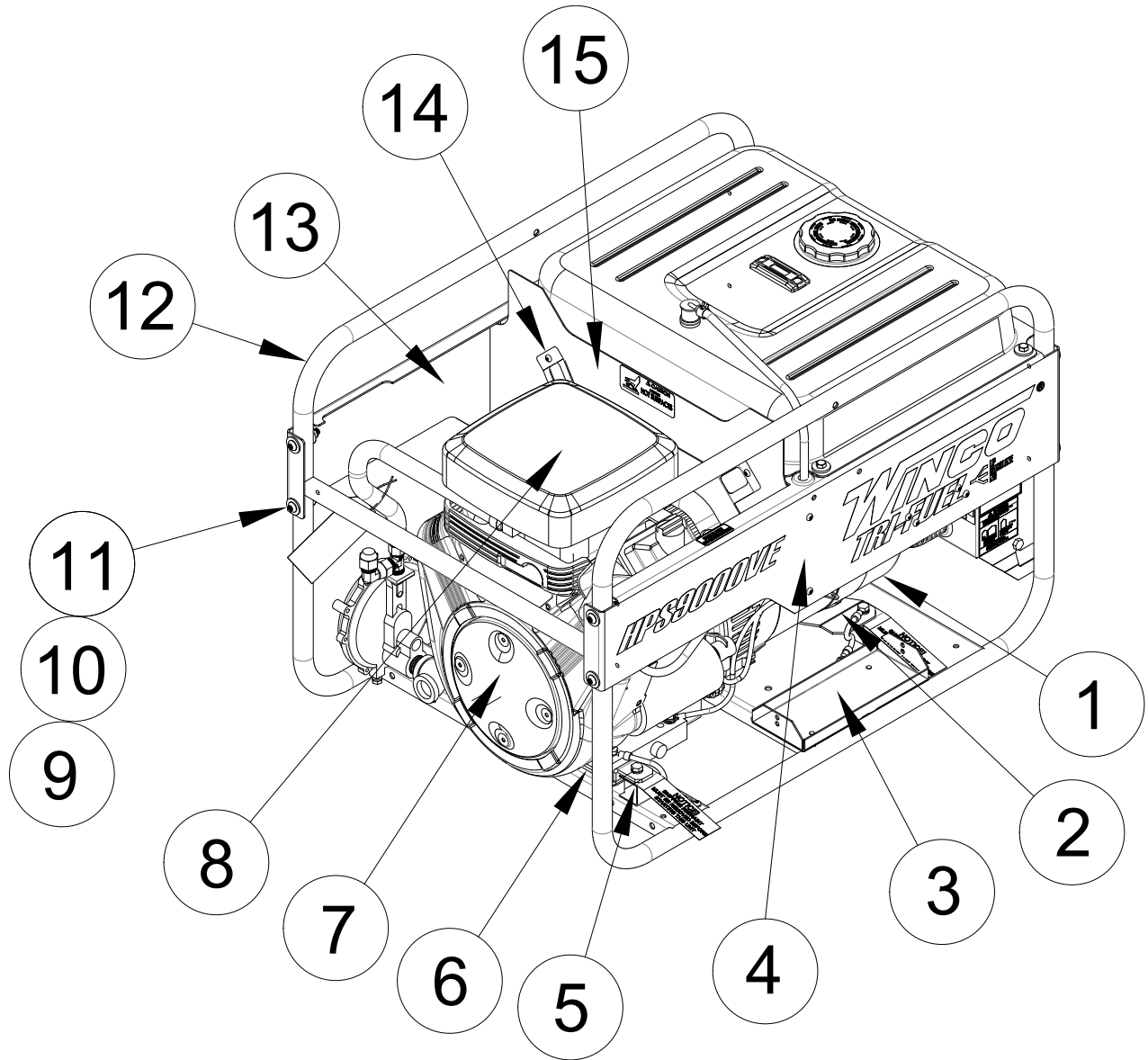
ILLUSTRATED PARTS LIST

HPS9000VE/E



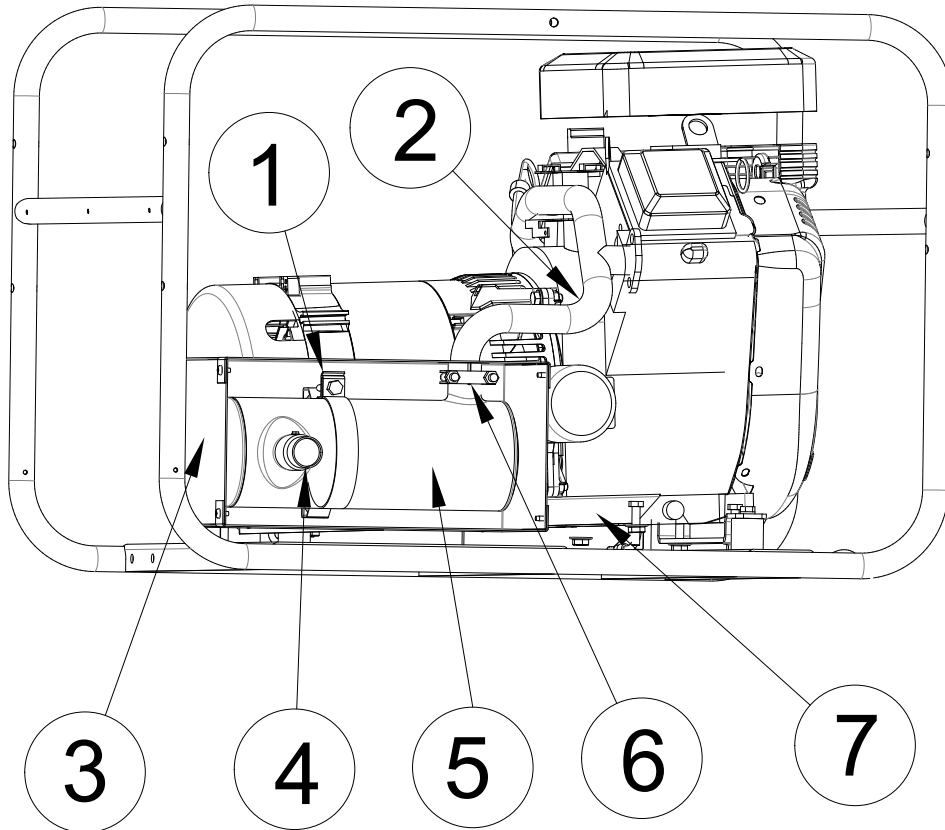
WINCO INC.
225 S. CORDOVA AVE.
LE CENTER, MN 56057
(507) 357-6821
SERVICE DEPT.
(507) 357-6831
wincogen.com

ENGINE / GENERATOR ASSEMBLY



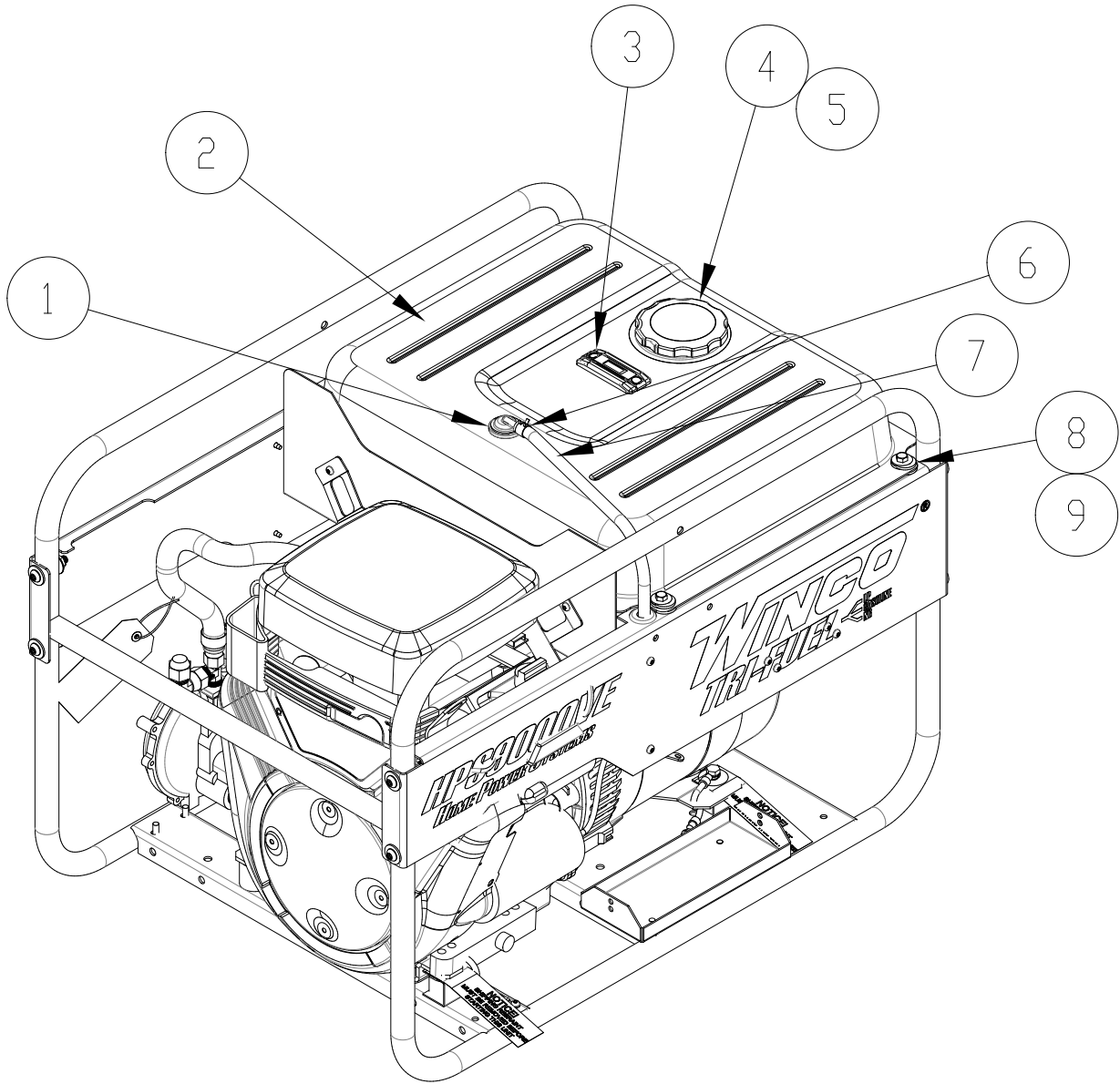
REF #	PART NUMBER	QTY	DESCRIPTION
1	16346-009	1	Generator, Mecc Alte Spa Model: S20W-110
2	16335-014	1	Generator Support
3	15676-011	1	Battery Tray
4	300216-3SHPS9E	1	Left Side Rail
5	64062-000	4	Shock Mount
6	15929-004	1	Engine Support Adapter
7	15456-003	1	Engine, Briggs & Stratton Model: 305447-0003-G1
8	394018	1	Air Filter
9	64858-004	8	5/16" – 18 X 1 3/4" Bolt
10	526-000	8	Washer
11	16249-000	8	5/16" - 18 Flange Nut
12	63073-043	1	Cradle
13	300217-3SHPS9E	1	Right Side Rail
14	15687-022	1	Heat Shield
15	15462-046	1	Fuel Tray
NI	842921	1*	Oil Filter
NI	690233	1*	Oil Pressure Switch
NI	691035	1*	Fuel Filter
NI	24018-100	1	Keys for Engine (set of two)
NI	Not Illustrated		
*	Briggs & Stratton part #		

EXHAUST ASSEMBLY



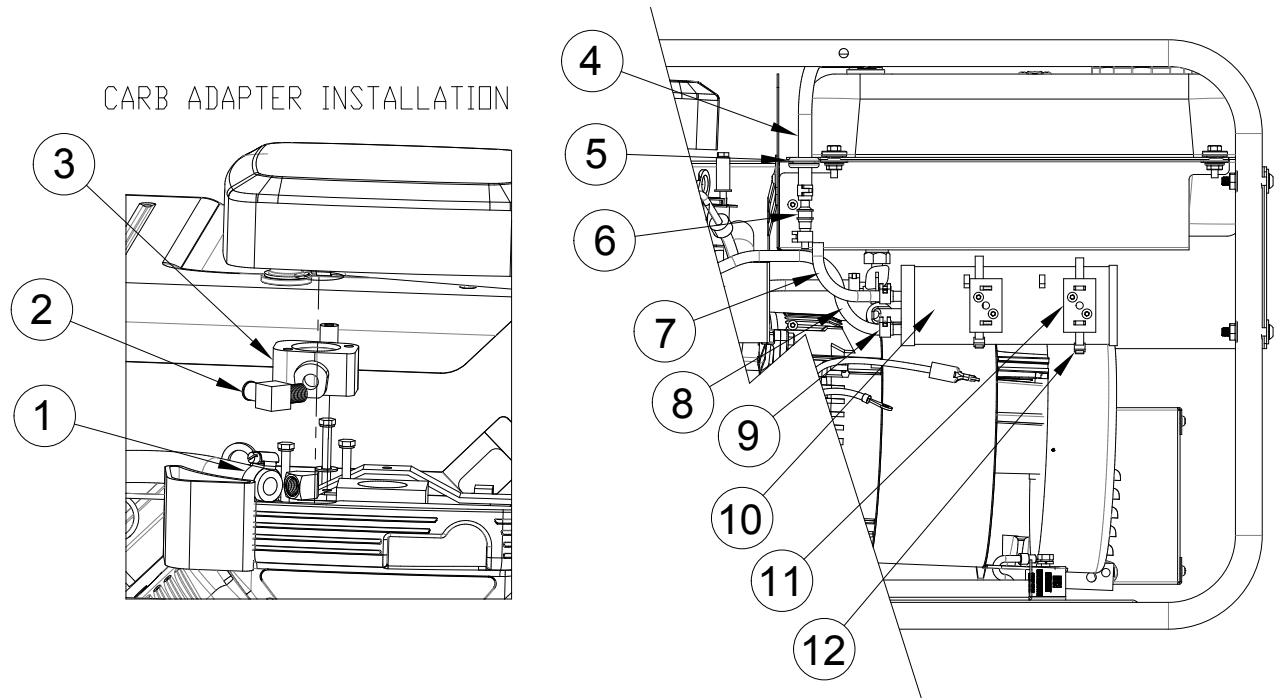
REF #	PART NUMBER	QTY	DESCRIPTION
1	93484-012	1	Muffler Mounting Bracket
2	16479-007	1	Exhaust Manifold
3	15687-028	1	Heat Shield
4	15769-002	1	Spark Arrestor
5	350590-14	1	Muffler
6	93489-018	1	Muffler Clamp
7	15687-021	1	Heat Shield Mounting Bracket

FUEL SYSTEM ASSEMBLY



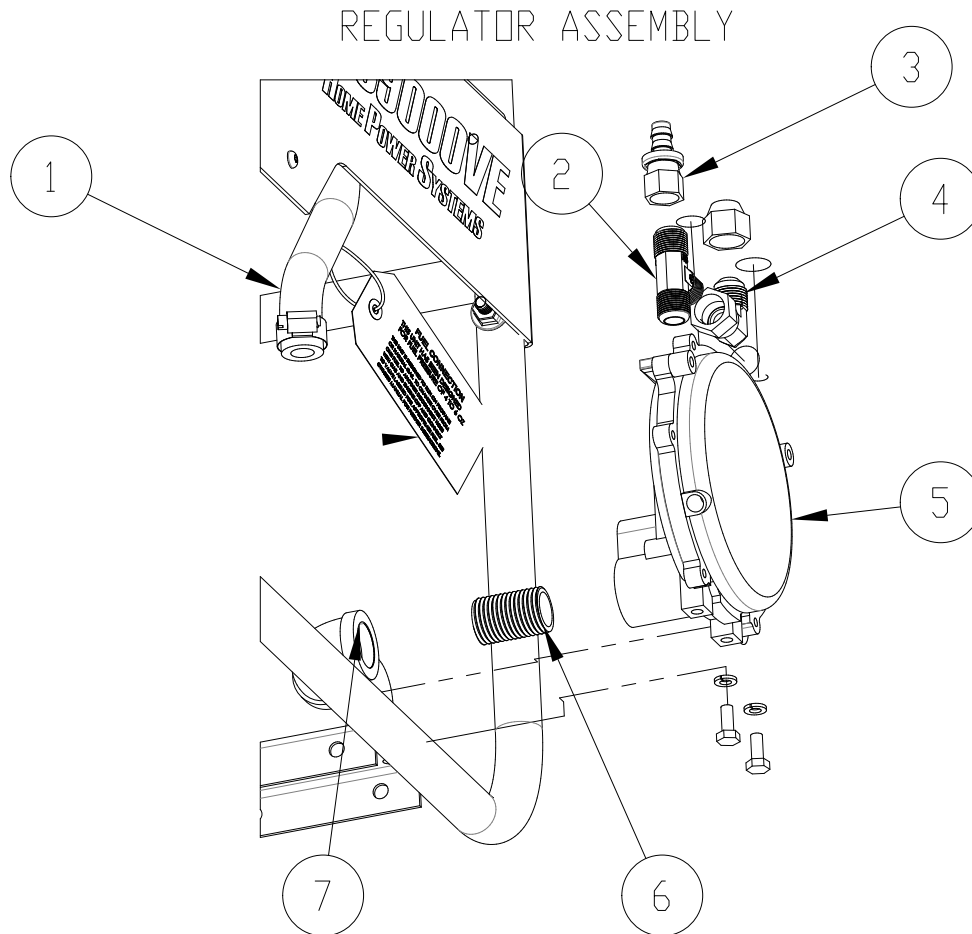
REF #	PART NUMBER	QTY	DESCRIPTION
1	80903-002	1	Slosh Valve with Grommet
2	64024-013	1	7 Gallon Steel Fuel Tank
3	64024-402	1	Fuel Level Gauge
4	64024-401	1	Sealed Fuel Cap
5	64024-403	1	Filter Inside Tank
6	62999-001	6	Hose Clamp .5 OD Red
7	40078-000	13"	1/4" Fuel Hose
8	64024-406	4	Rubber Bushing
9	64024-405	4	Anti-Crash Insert

FUEL SYSTEM ASSEMBLY CONTINUED



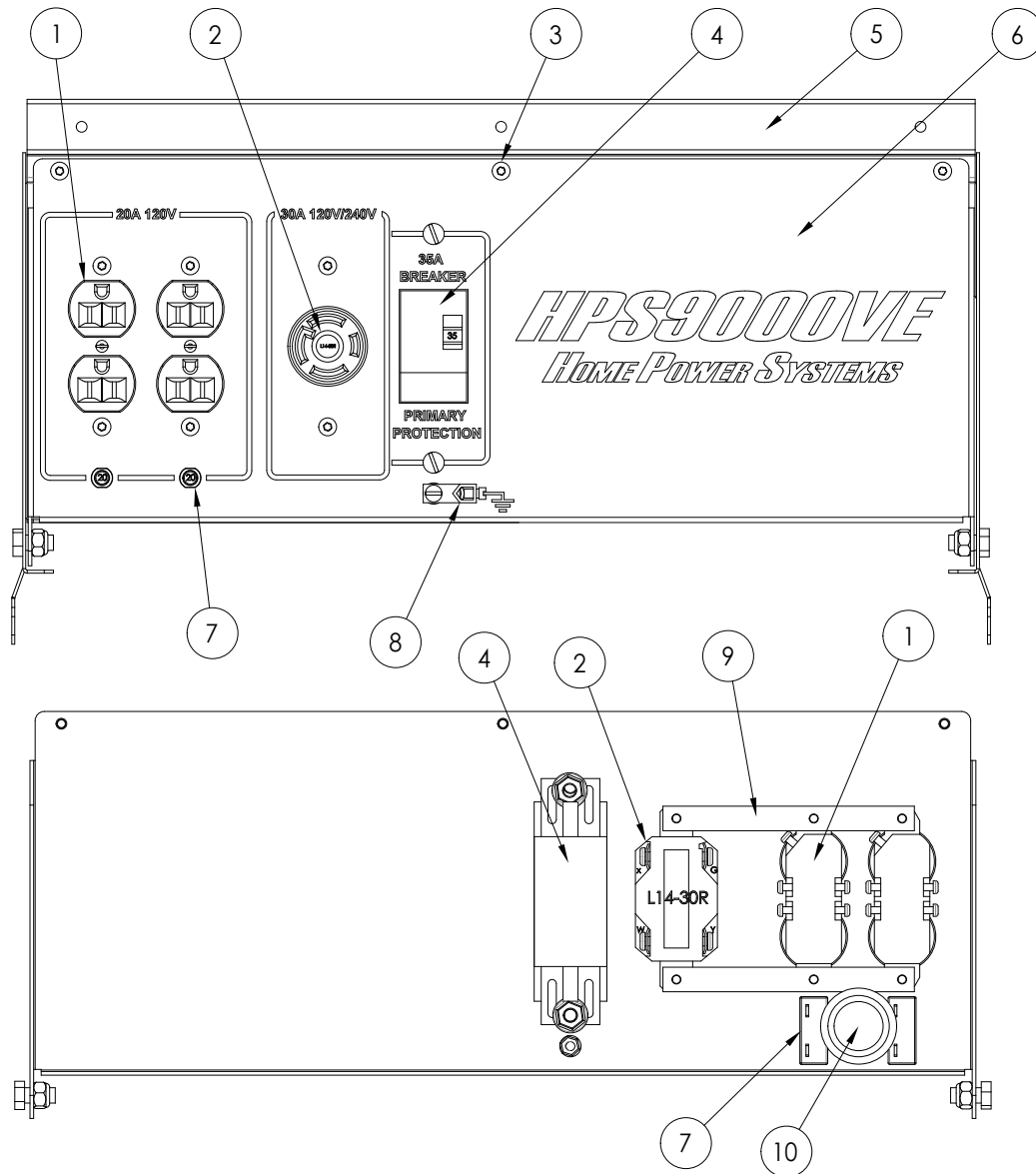
REF #	PART NUMBER	QTY	DESCRIPTION
1	23048-000	18"	NG / LP Fuel Hose ½" ID
2	99968-000	1	Hose Fitting Adapter
3	15279-000	1	Carburetor Adapter
4	40078-000	13"	¼" Fuel Hose
5	40730-000	1	Grommet
6	98590-003	1	Hose Reducer
7	40077-000	3"	3/16" Fuel Hose
8	40077-000	12"	3/16" Fuel Hose
9	62999-005	5	Hose Clamp .41 OD Green
10	80902-000	1	Carbon Canister 7 Gallon
11	81902-000	2	Mounting Bracket
12	49975-013	2	Cable Tie

VAPOR FUEL SYSTEM ASSEMBLY



REF #	PART NUMBER	QTY	DESCRIPTION
1	23048-000	18"	NG / LP Fuel Hose
2	99874-002	1	Tee Fitting
3	350892-3	1	Flare Fitting
4	99968-000	1	Hose Fitting Adapter
5	55559-002	1	Fuel Regulator IMPCO KN
6	54074-006	1	3/4 NPT X 1.5" Pipe Nipple
7	50244-000	1	90° Pipe Elbow

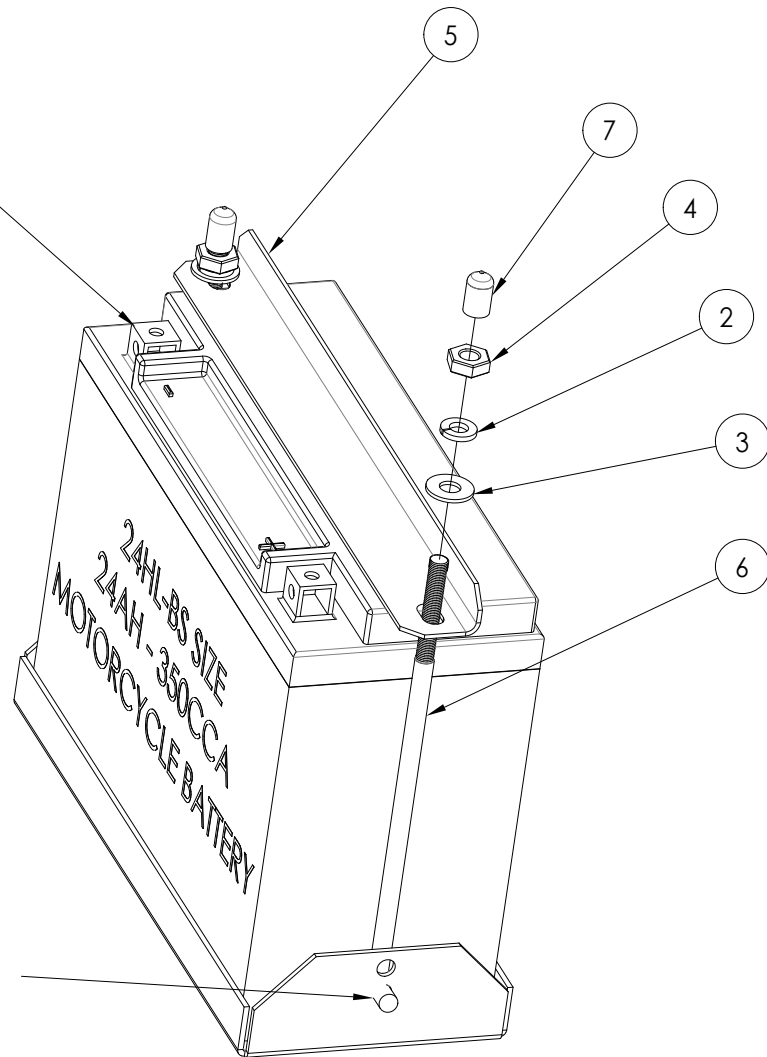
RECEPTACLE INSTALLATION



REF #	PART NUMBER	QTY	DESCRIPTION
1	50766-000	2	NEMA 5-20R Receptacle
2	97360-000	1	NEMA L14-30R Receptacle
3	21698-001	9	Torx Screw
4	57030-003	1	35 Amp Circuit Breaker
5	15221-029S	1	Receptacle Back Panel
6	15458-035S	1	Receptacle Front Panel
7	91286-001	2	20 Amp Circuit Breaker
8	48042-001	1	Ground Lug
9	64045-043	2	Mounting Strap
10	62486-000	1	Grommet

BATTERY HOLD DOWN KIT (15807-003)

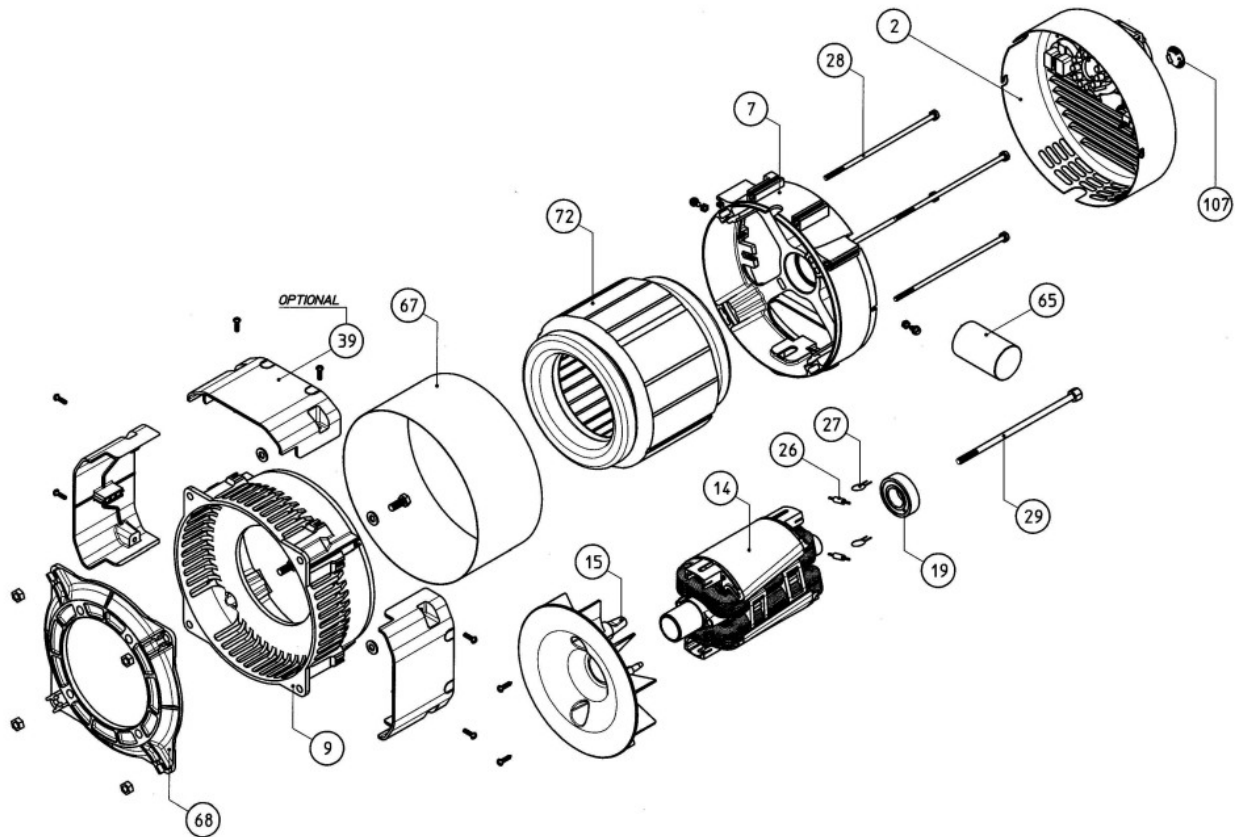
SCREW OR BOLT + NUT IS
TYPICALLY SUPPLIED WITH
BATTERY. A M6 METRIC
SCREW OR BOLT IS THE
COMMON SIZE USED.



LOWER HOLE IS TYPICAL FOR BATTERY
INSTALLATION.

REF #	PART NUMBER	QTY	DESCRIPTION
2	479-000	2	Lock Washer
3	512-000	2	Washer
4	638-000	2	Hex Nut
5	64167-004	1	Hold Down Bracket
6	64240-002	2	Hold Down Rod
7	64278-000	2	Round Vinyl Cap

GENERATOR END ASSEMBLY

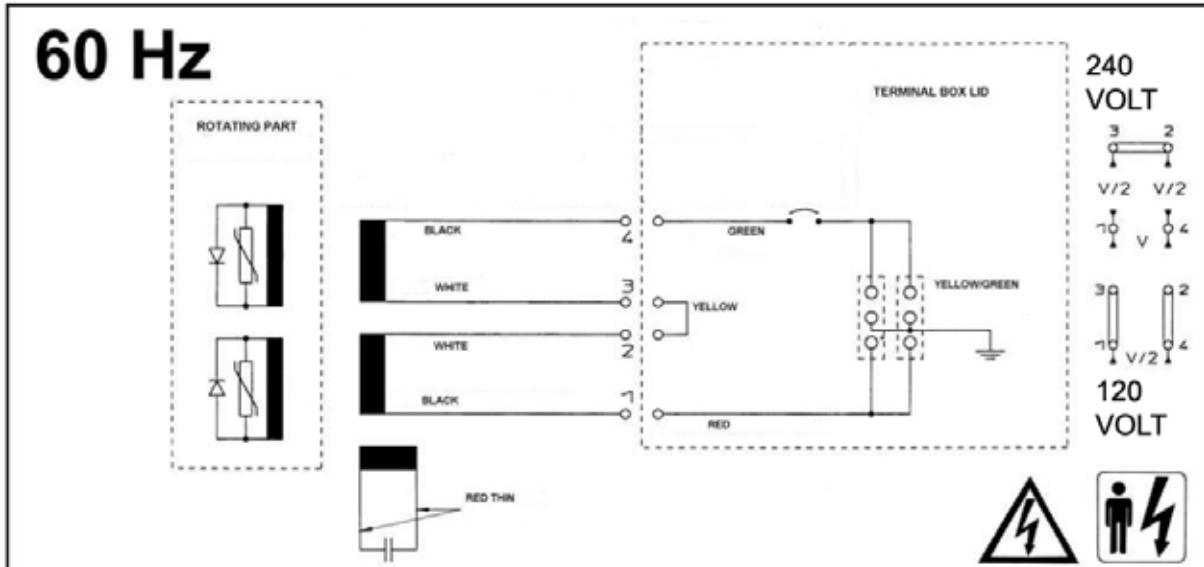


REF #	PART NUMBER	QTY	DESCRIPTION
	16346-009	1	Complete Generator End
19	54665-000	1	6205-2RS Bearing
26	300323-208	2	Varistor
27	300323-207	2	Diode
65	300323-212	1	35 mf Capacitor

GENERATOR SPECIFICATIONS:

STATOR:	0.210 Ohms
ROTOR:	5.22 Ohms
CAPACITOR LEADS	0.87 Ohms

GENERATOR END SCHEMATIC



DECALS

REF #	PART NUMBER	QTY	DESCRIPTION
1	15209-000	1	Decal Set
2	15209-001	1*	Gasoline Decal
3	15209-002	1*	Danger CO2 Decal
4	15209-003	1*	Electrical Shock Decal
5	64918-000	2	Danger Use Outside Decal
6	63941-001	2	Hot Surface Decal
7	15209-013	1	Fuel Type Decal
8	15209-014	1	Check Oil Decal
9	63966-004	1	Winco Nameplate
*	Part of 15209-000		

WIRING DIAGRAM

