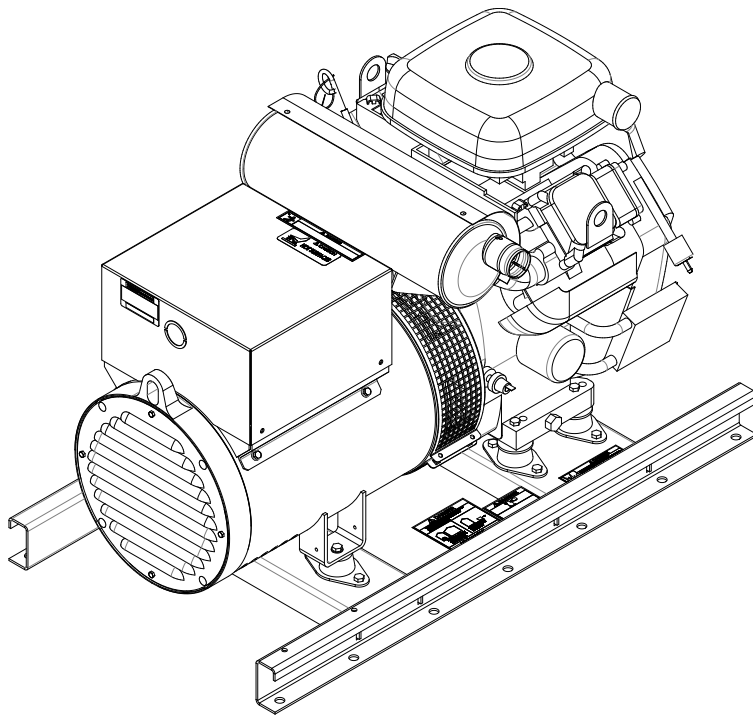


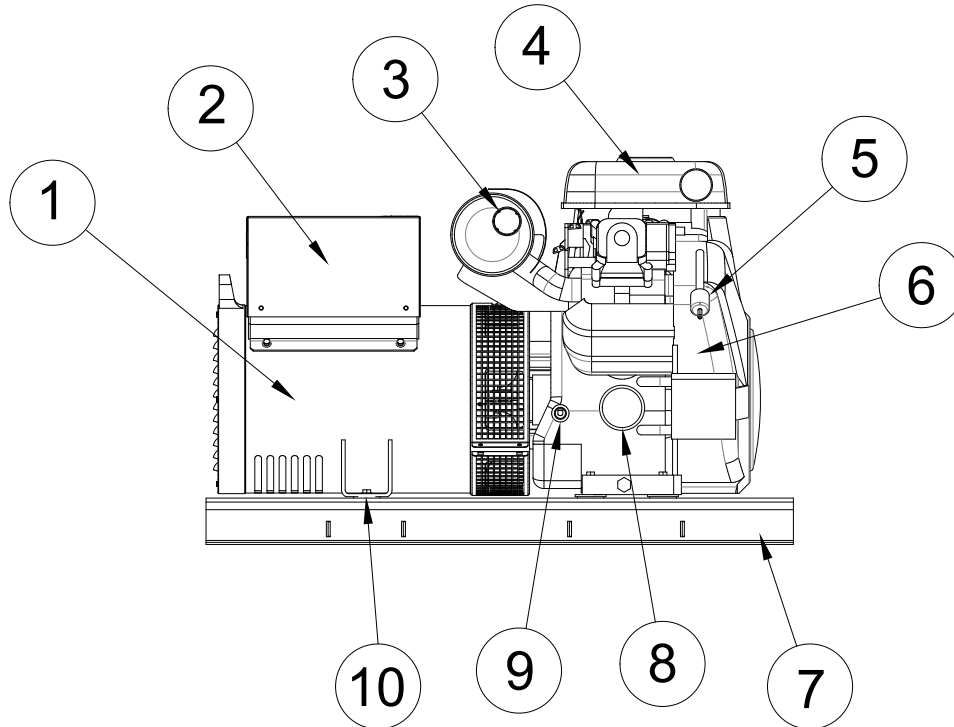
WINCO[®] INC

ILLUSTRATED PARTS LIST EC2200VE/A



**WINCO INC.
225 S. CORDOVA AVE.
LE CENTER, MN 56057
(507) 357-6821
SERVICE DEPT.
(507) 357-6831
wincogen.com**

ENGINE / GENERATOR ASSEMBLY



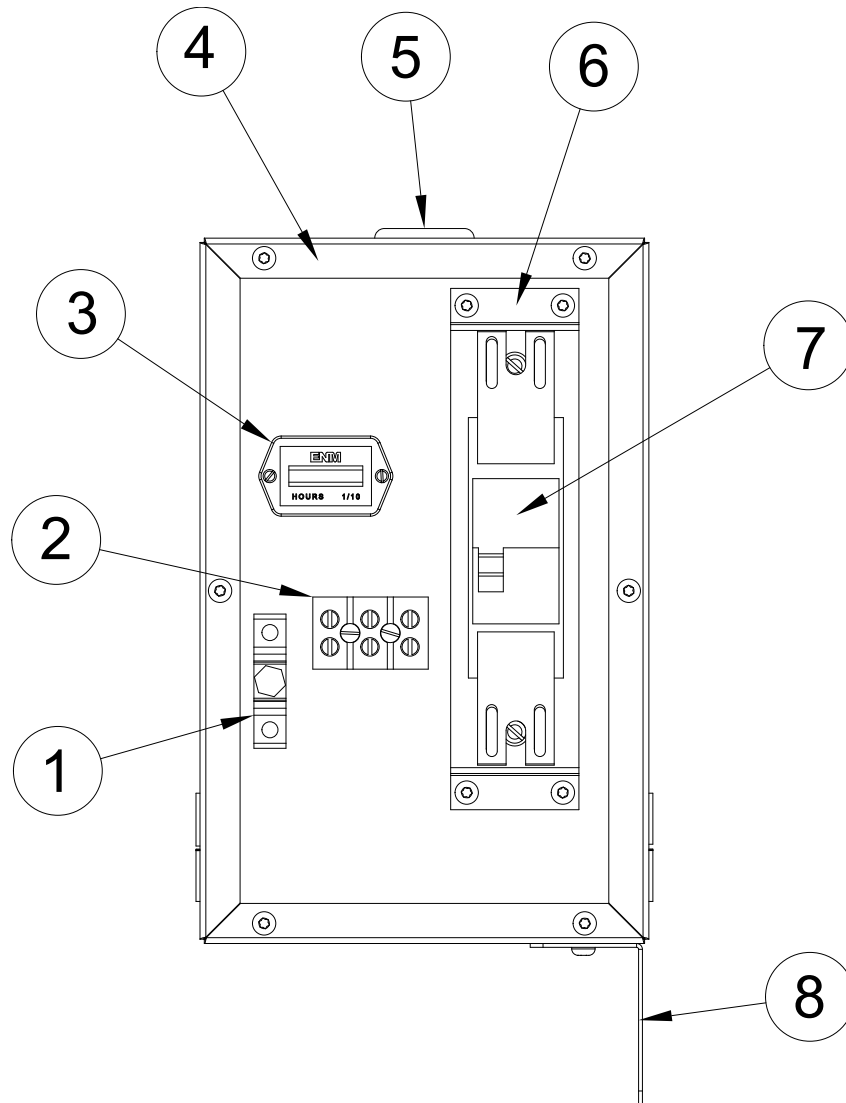
REF #	PART NUMBER	QTY	DESCRIPTION
1	64887-002	1	Generator, Mecc Alte Model: ECP28-2L/2
2	19022-200	Reference	Receptacle Box Assembly
3	16237-002	1	Spark Arrestor
4	692519	1*	Air Filter
4	692520	1*	Air Filter Pre-Cleaner
5	845125	1*	Fuel Filter
6	16420-000	1	Engine, Briggs & Stratton Model: 613477-0219-G1
7	19022-500	1	Base Assembly
8	842921	1*	Oil Filter
9	841281	1*	Oil Pressure Switch
10	98807-000	6	Shock Mount
NI	491055S	2*	Spark Plug
alternate	RC12YC	2**	NGK Spark Plug
NI	300349	1	Oil Drain Valve
NI	300349-1	1	Oil Drain Adapter
NI	96187-001	1	Oil Drain Gasket
NI	62999-004	1	Hose Clamp
NI	62286-000	1FT	½" Hose

NI Not Illustrated

* Briggs & Stratton Part

** NGK Part Number

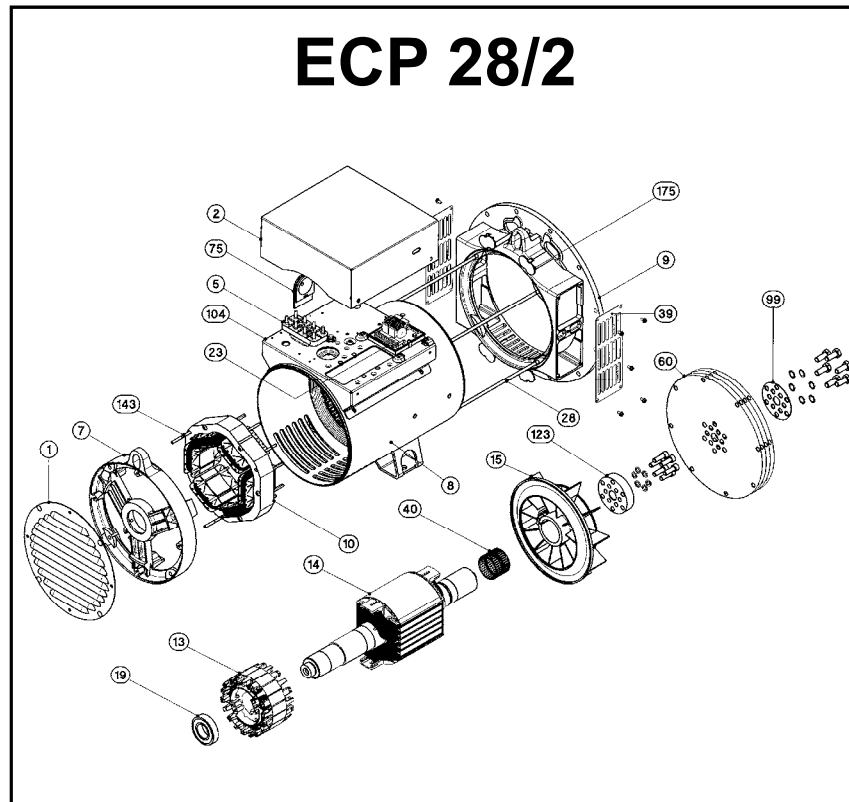
RECEPTACLE BOX ASSEMBLY



REF #	PART NUMBER	QTY	DESCRIPTION
1	48042-000	2	Ground Lug
2	51795-000	1	3 Point Terminal Block
3	58166-001	1	Running Time Meter
4	19022-202	1	Receptacle Box
5	62486-000	1	Grommet
6	19022-204	1	Circuit Breaker Riser
7	57030-010	1	80 Amp 2-Pole Circuit Breaker
8	19022-205	1	Receptacle Box Support
NI	19022-203	1	Receptacle Box Panel
NI	Not Illustrated		

GENERATOR END

The Gen-end used on this model is a special tapered shaft not illustrated in the drawing below. Call Winco for details.



REF #	PART NUMBER	QTY	DESCRIPTION
n/a	64887-002	1	Complete Generator

GENERATOR SPECIFICATIONS:

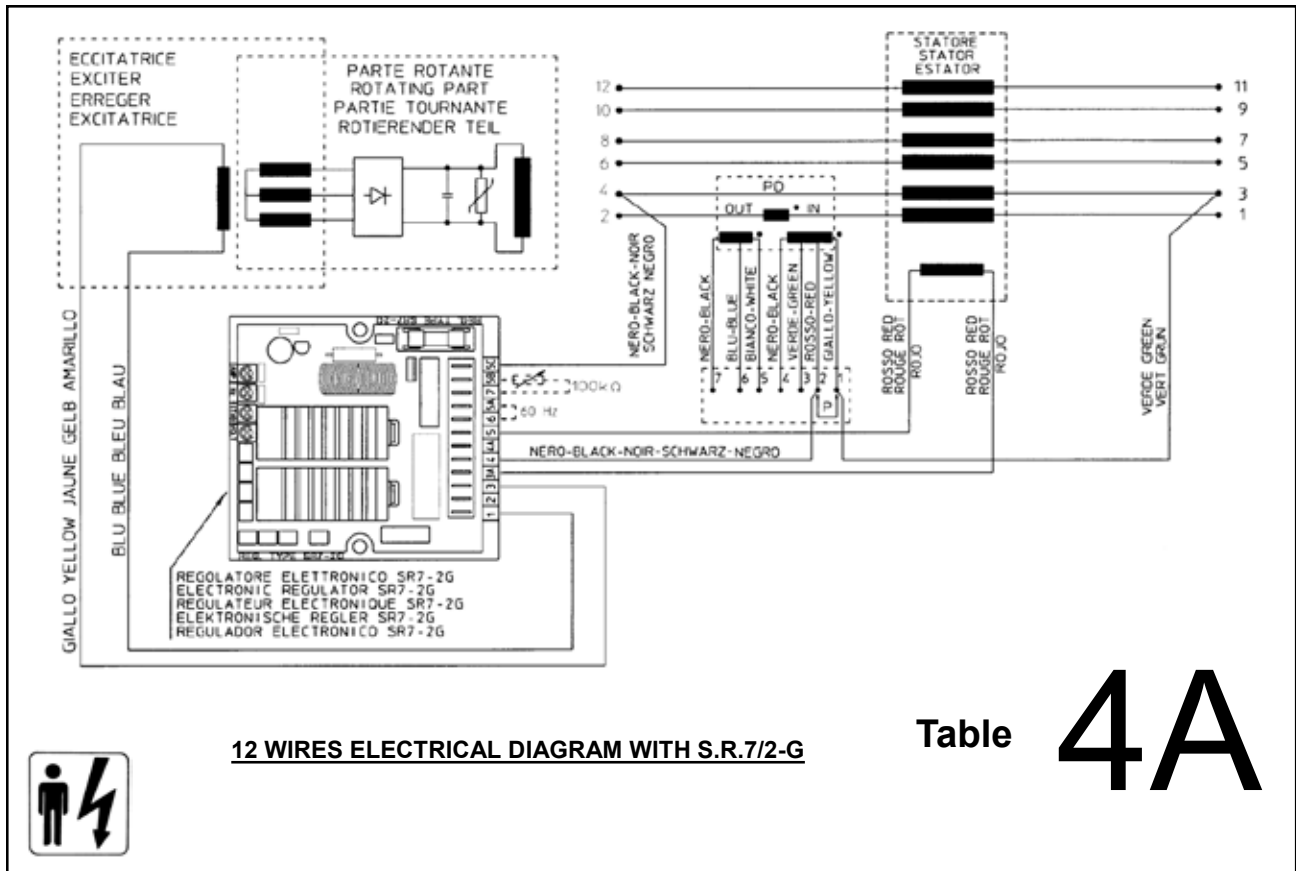
MODEL: ECP28-2L/2

COMPONENT	RESISTANCE VALUES
STATOR	0.0863 Ohms
ROTOR	5.523 Ohms
AUXILIARY	1.173 Ohms
EXCITER STATOR	10.6 Ohms
EXCITER ROTOR	0.417 Ohms

DECALS

REF #	PART NUMBER	QTY	DESCRIPTION
1	63941-001	2	Hot Surfaces Decal
2	64918-000	2	CO Danger Decal
3	15209-000	1	Decal Set
4	16504-000	1	Neutral to Ground Decal

GENERATOR AND AVR WIRING



WIRING DIAGRAM

