



WIRING DIAGRAM & PARTS LIST

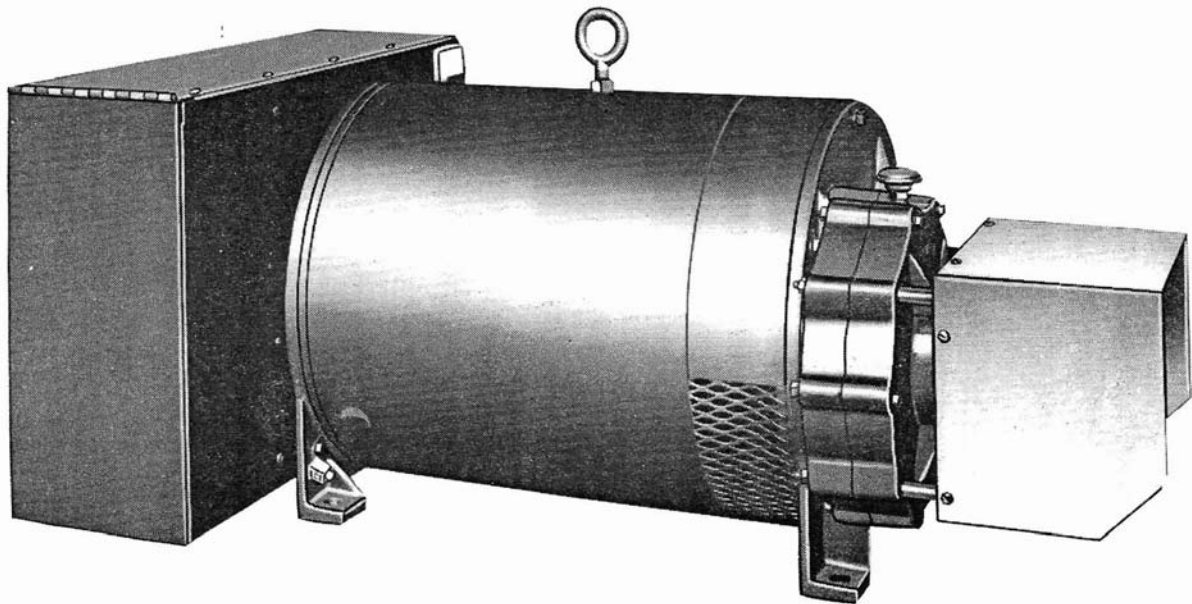
POWER TAKE-OFF GENERATORS

MODEL 3W163

FORM
5S2476
03653

DAYTON ELECTRIC MANUFACTURING CO. CHICAGO 60648

0282/044/15C



**ORDER REPLACEMENT PARTS THROUGH DEALER
FROM WHOM PRODUCT WAS PURCHASED**

Please provide following information:

- Model Number
- Serial Number (if any)
- Part Description and Number as shown in Parts List.

If dealer cannot supply, order from:

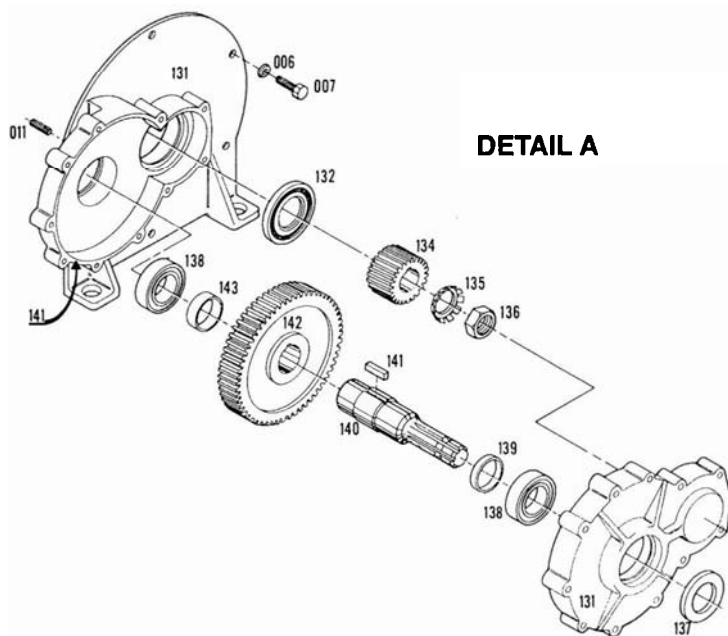
Dayton Electric Mfg. Co.
CUSTOMER SERVICE DEPT.
5959 West Howard Street
Chicago, Illinois 60648

**Parts List — Model 3W163
Power Take-Off Generators**

Ref. No.	Part No.	Qty.	Description	Ref. No.	Part No.	Qty.	Description
001	480	3	Lockwasher 5/16	257	57325	1	Receptacle
002	441	3	CapscREW 5/16-18x2	258	91286	1	Circuit breaker
003	40746	8	Screw 8-32 x 5/16	259	24749	1	Receptacle
004	6376	4	Lockwasher	263	91447-3	1	Circuit breaker (225A)
005	10846	4	Screw 8-32 x 1-1/2	267	91859	1	Plug (octopus)
006	90570	6	Lockwasher	268	91350	1	Retainer plate
007	91256	6	CapscREW	500	91288-990	1	Generator assembly
008	91347	1	Set screw	512	91337	1	Cover (impeller)
009	447	1	Nut	514	91293	1	Stator & frame assembly
010	91137	1	Eye bolt	515	91212	1	End bracket
145	91172	4	Spacer	516	91211-1	1	Retainer
146	91170	1	Bracket	517	21264	3	Spacer
147	91171	1	Shield	530	91304-990	1	Rotor assembly
201	91175-001	1	Cover	532	91111	1	Bearing
203	91174	1	Louvered panel	533	91101	1	Impeller
205	91246	1	Base cover	534	91112	1	Bearing (drive end)
212	91371	1	Rear panel (bare)	536	91196	1	Retainer
222	91177	2	Magnetic latch	570	91251	1	Excitation assembly
240	91539-001	1	Front panel assembly	571	91452	1	Rectifier
244	91397	1	Transformer	572	91211-2	1	Ring (brush holder)
249	91472	1	Front panel (bare)	573	23532	2	Spacer (fiber)
252	91427	1	Receptacle (octopus)	574	23607	4	Brush
253	91370	1	Voltmeter	575	59690	4	Brush holder
*	91469	1	IVM mag shield	576	59688	4	*Barrier space
255	57030	1	Circuit breaker				

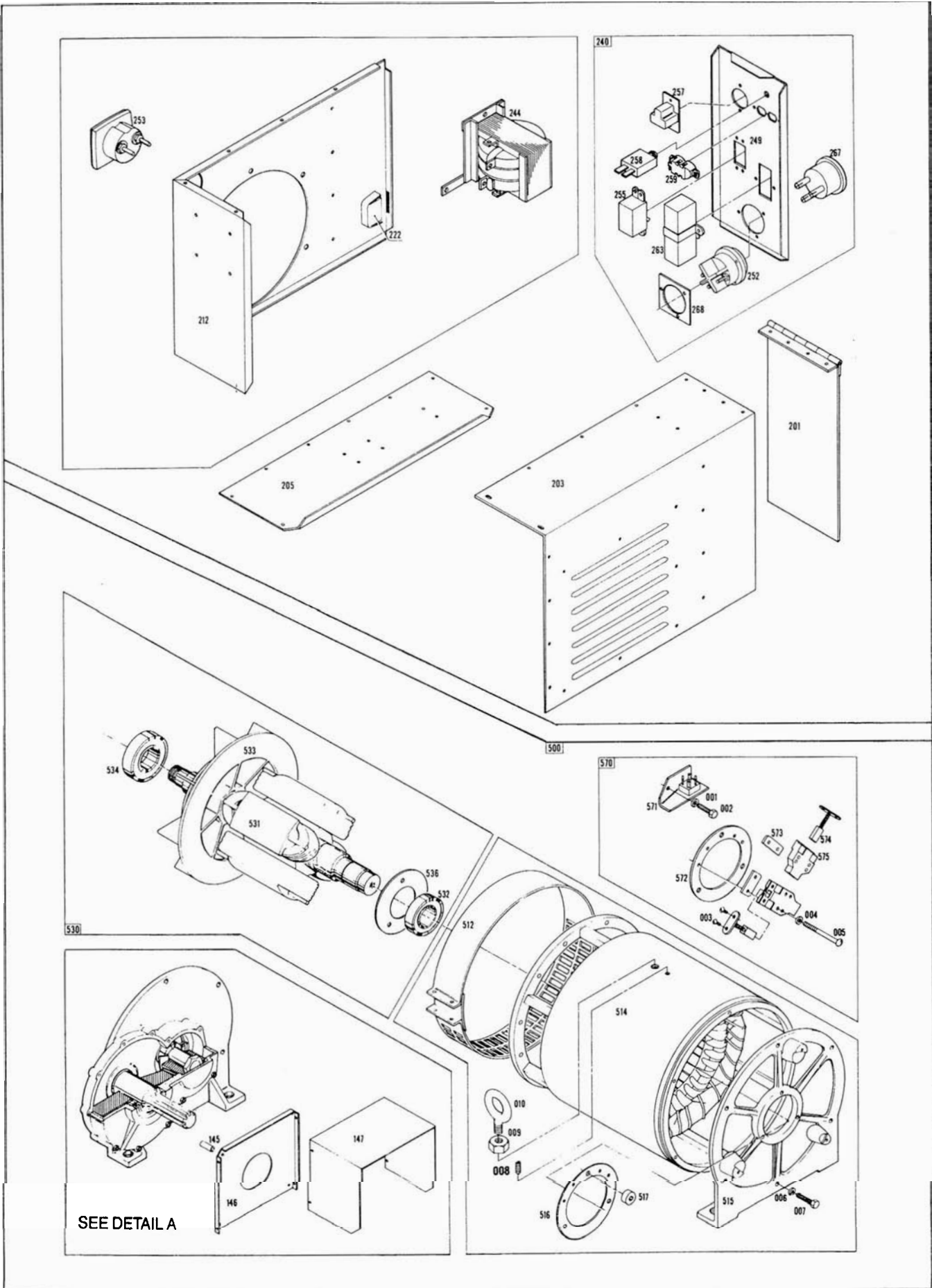
*Not illustrated

Gear Case For Power Take-Off Generators

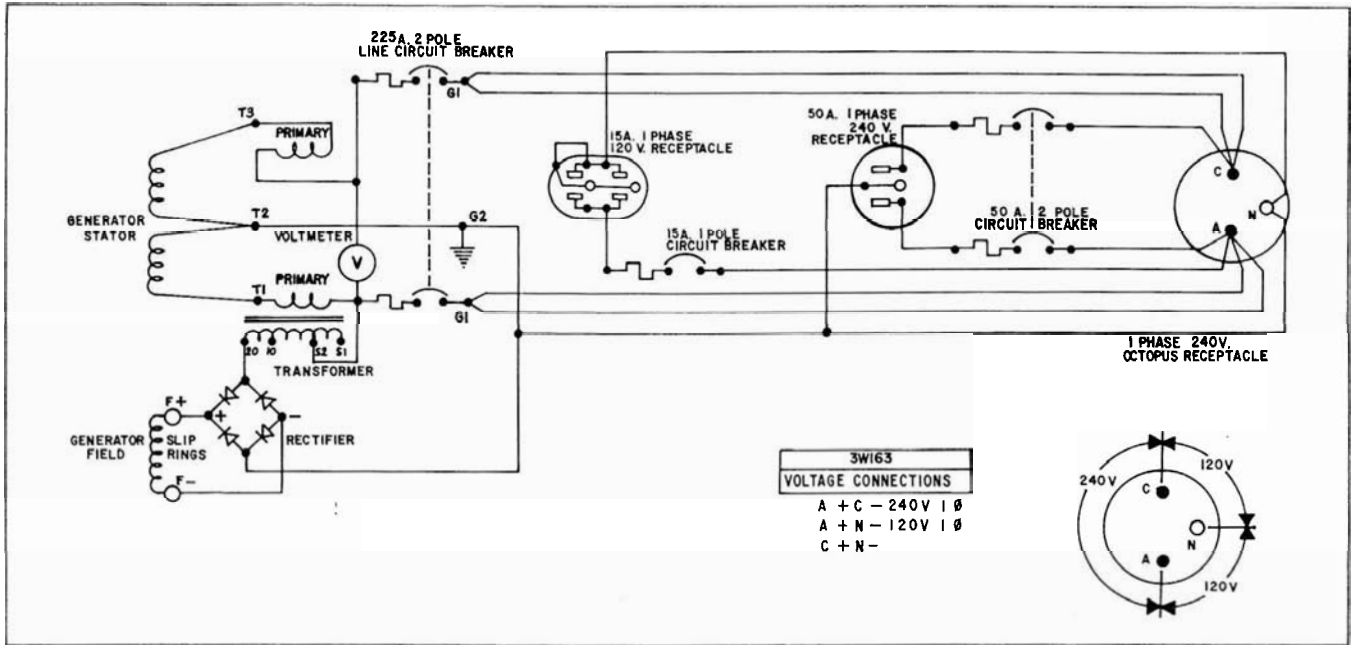


Replacement Parts List

Ref. No.	Part No.	Qty.	Description
006	91138	4	Lockwasher
007	90570	4	CapscREW
011	91138	2	Stud
131	91103	1	Support & cover
132	91116	1	Seal (rotor shaft)
134	91292	1	Gear (pinion)
135	91289	1	Lockwasher
136	91290	1	Nut
137	91247	1	Seal (cover)
138	91250	2	Bearing
139	91108-001	1	Spacer (front)
140	91344	1	Shaft
141	91117	1	Key
142	91248	1	Gear
143	91108-002	1	Spacer (rear)
144	91104	1	Gasket



Wiring Diagram



Notes