

Wiring Diagram B91322

REPAIR
PARTS LIST
#575

Size 30,000 Watts

Complete Unit
Part # D91233

Unit
Model # 30PTOC-3/B

DESCRIPTION

PART #

QTY.

Rotor Assy. Complete	91237	1
Rotor Bearing		
Fan End	91112	1
Rotor Bearing		
Brush End	91111	1
Fan	91101	1
Stator Assy.	91231	1
Brush	23607	4
Brush Holder	23500	4
Rectifier	91452	1
Circuit Breaker	57212- 2	1
Transformer	91187	1
Voltmeter	91370	1
Receptacle (Octopus)	91333	1
Receptacle (115)	24749	1
Receptacle (50A)	57325	1
Plug (Octopus)	91334	1
Plug (50A)	58230	1
Allen Wrench	55002-2	1
Seal	91247	1
Gear	91225	1
Pinion	91118	1
Gasket	91104	1
Seal	91116	1
Bearing	91250-2	2
Shaft <i>+ Gear + Bearings</i>	91223	1
Vent Plug	40716	1

shaft only 91234

*SAFETY
SHIELD
91171*

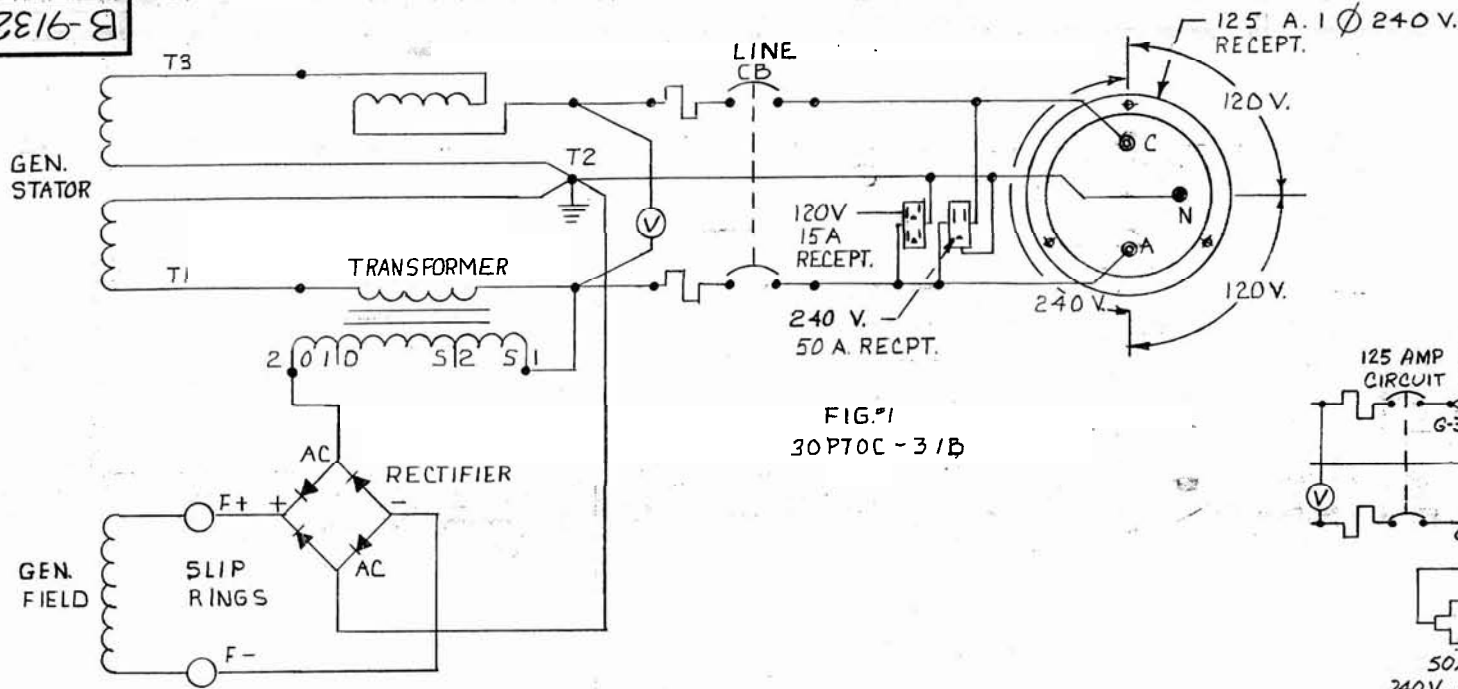


FIG. #1
30PTOC-31B

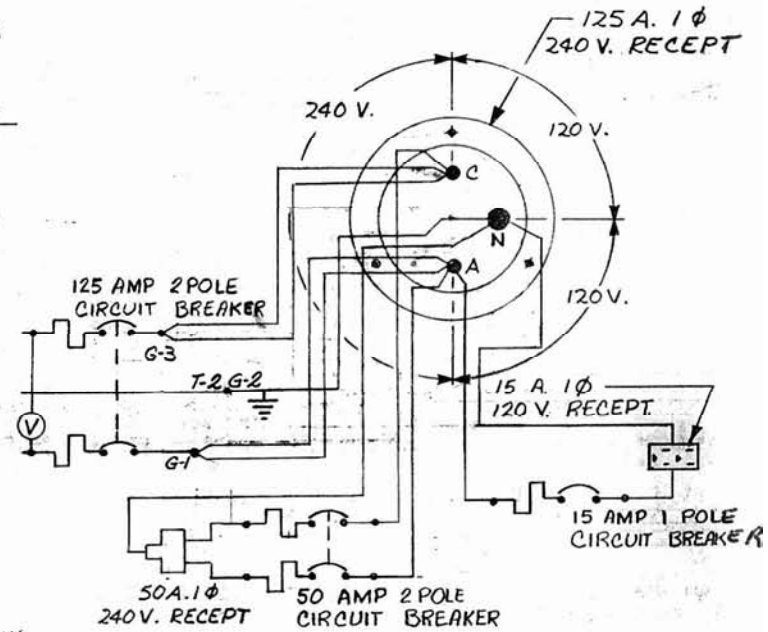


FIG. #2
CSA30PTOC-3/A

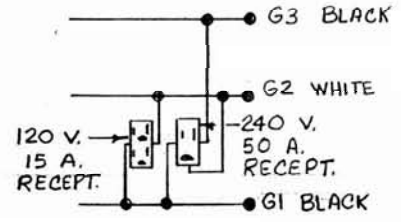


FIG. #3
30PTOC-3/A

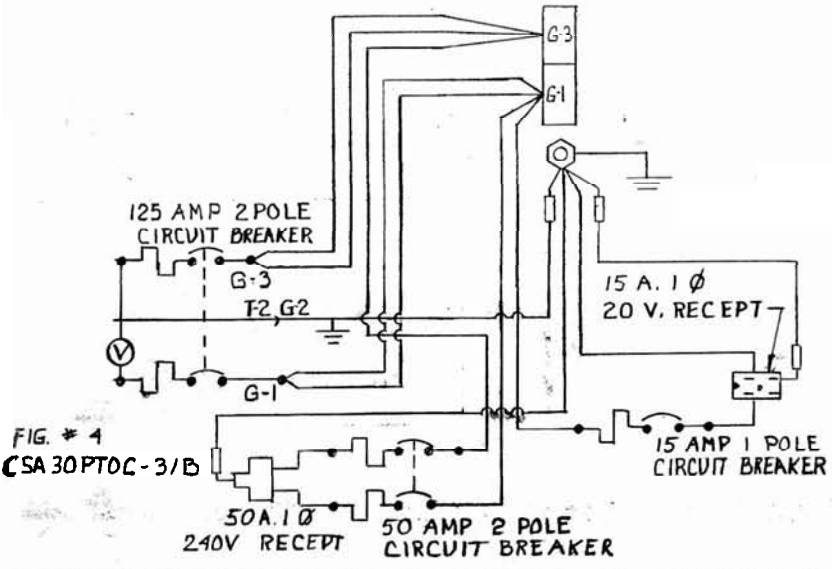


FIG. #4
CSA 30PTOC-31B

240/120 VOLT SINGLE PHASE

6	RECT AC TERM WAS CONN TO TOP 10 (140-93)	4.1.93	D.W.	GR	ALL DIMENSIONS GIVEN IN INCHES—WORK TO DIMENSIONS—DO NOT SCALE—SAMPLES BE APPROVED BY DYNA TECHNOLOGY ENGINEERING DEPT BEFORE PROCEEDING WITH PRODU— TOLERANCES (UNLESS OTHERWISE SPECIFIED): FRACTIONS ± 1 DECIMALS ± .005 PUNCHED HOLES + .004 — .000 DRAWN BY: MWU DATE: 9-5-75 CH'KD BY: RM DATE: 10-9-75 APP'D BY: DATE: 10-16-75 MATERIAL: FINISH: ASSY: D-91233 MODEL: SEE ABOVE PTO GENERATOR SCHEMATIC WINCO Division of DYNA TECHNOLOGY, INC. Gary City, Iowa 51102 B-91322
5	Added FIG. A	No 9N	8/29/64	ZR	
4	REVISED FIG. 2		1-4-77	C.S.	
3	DELETED INDIVIDUAL GEN. RECEPTS	6-10-76	MU		
2	ADDED 125 A. 1 Ø 240 VOLT RECEPT. TO FIG. 1 CHANGING MODEL TO 3/8, FIG. 3 ADDED				
2	CHANGED TRANSFORMER LEADS	4-30-76	RM		
	DELETED 25 & 18 ADDED 20, 31 & 32				
	CHANGED TRANSFORMER CONNECTIONS				
1	ORIGINAL				