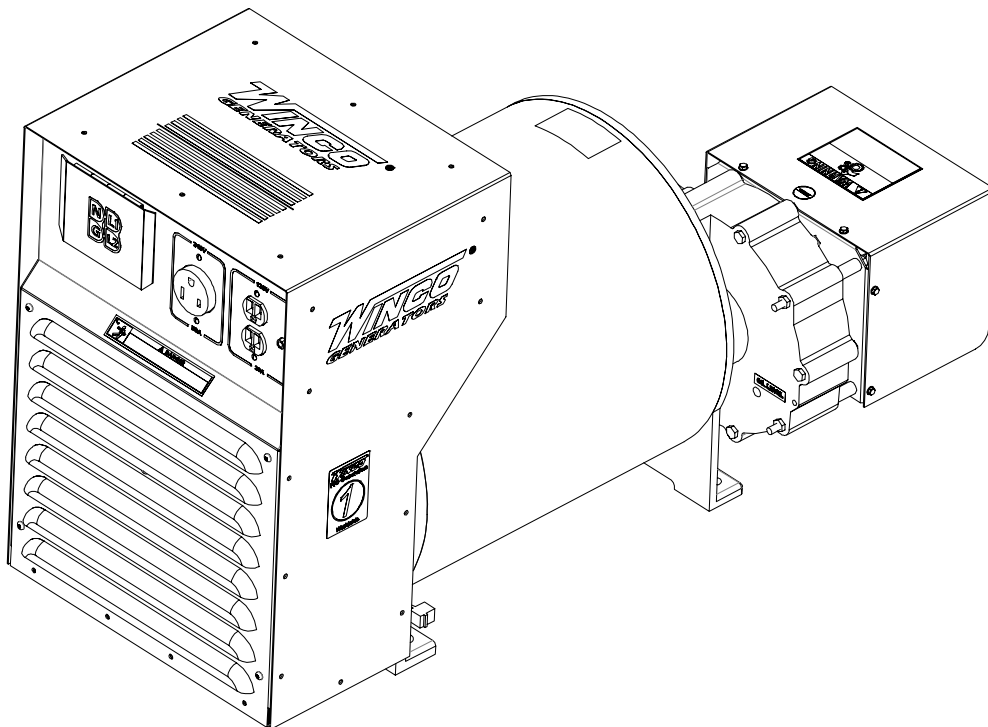


# **WINCO<sup>®</sup> INC**

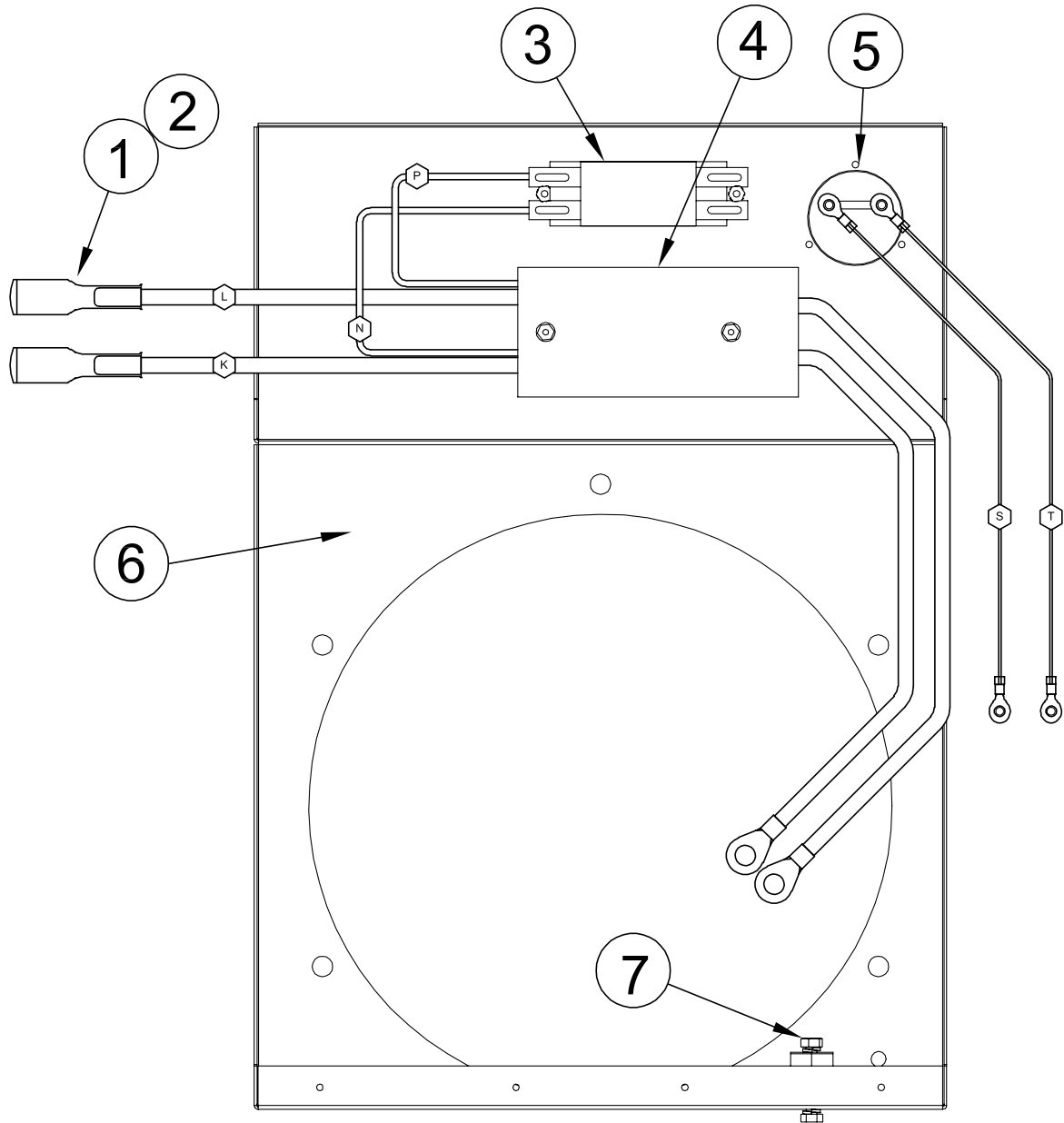
## **ILLUSTRATED PARTS LIST**

### **50PTOC-3/B 50FPTOC-3/B**



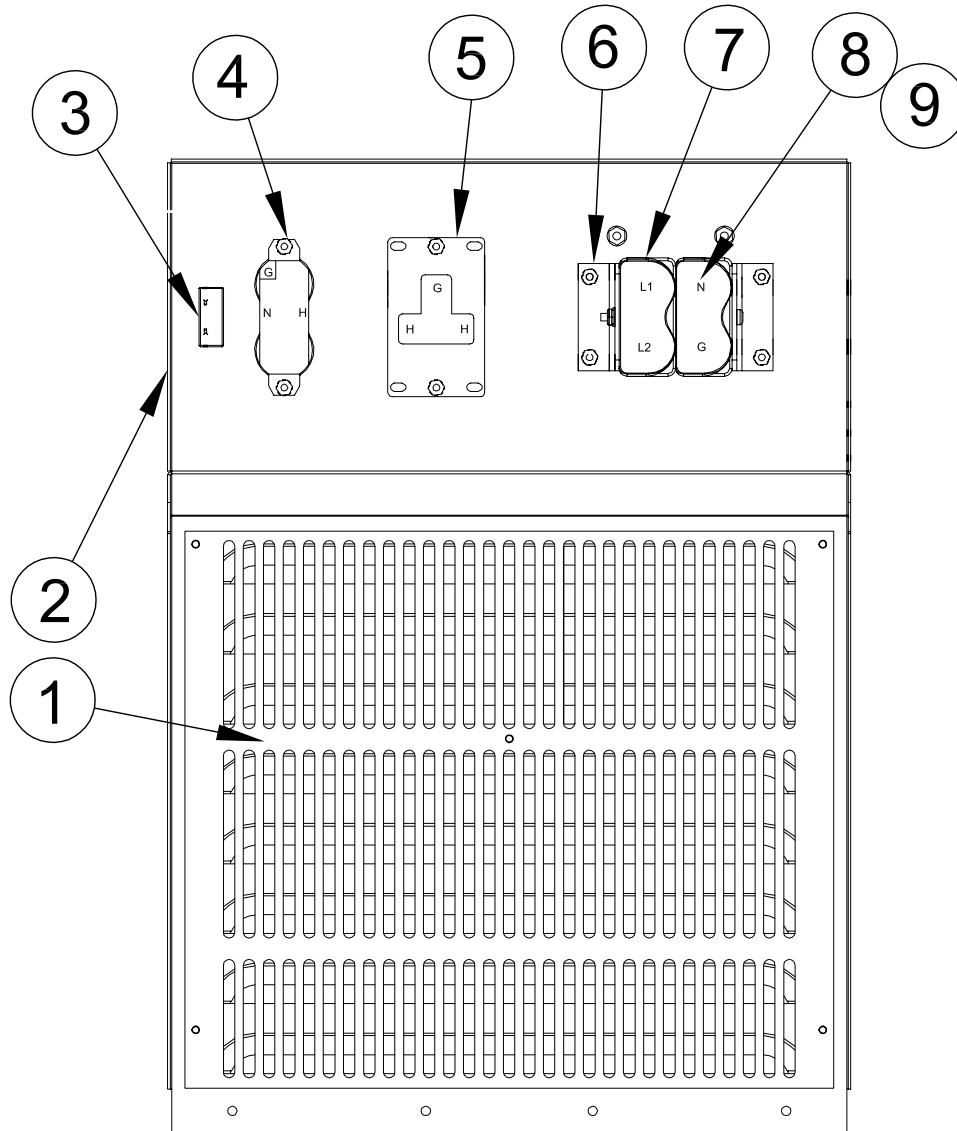
**WINCO INC.  
225 S. CORDOVA AVE.  
LECENTER, MN 56057  
507-357-6821  
SERVICE DEPT.  
507-357-6831  
[www.wincogen.com](http://www.wincogen.com)**

# BREAKER PANEL ASSEMBLY



REF #	PART NUMBER	QTY	DESCRIPTION
1	EE23325	2	1/0 AWG Contact
2	EE23302	2	# 2 AWG Bushing
3	57030-000	1	50 Amp Breaker
4	91447-005	1	200 Amp Breaker
5	91370-000	1	Voltmeter
6	61141-402	1	Breaker Panel
7	94378-000	1	Stand-off Insulator

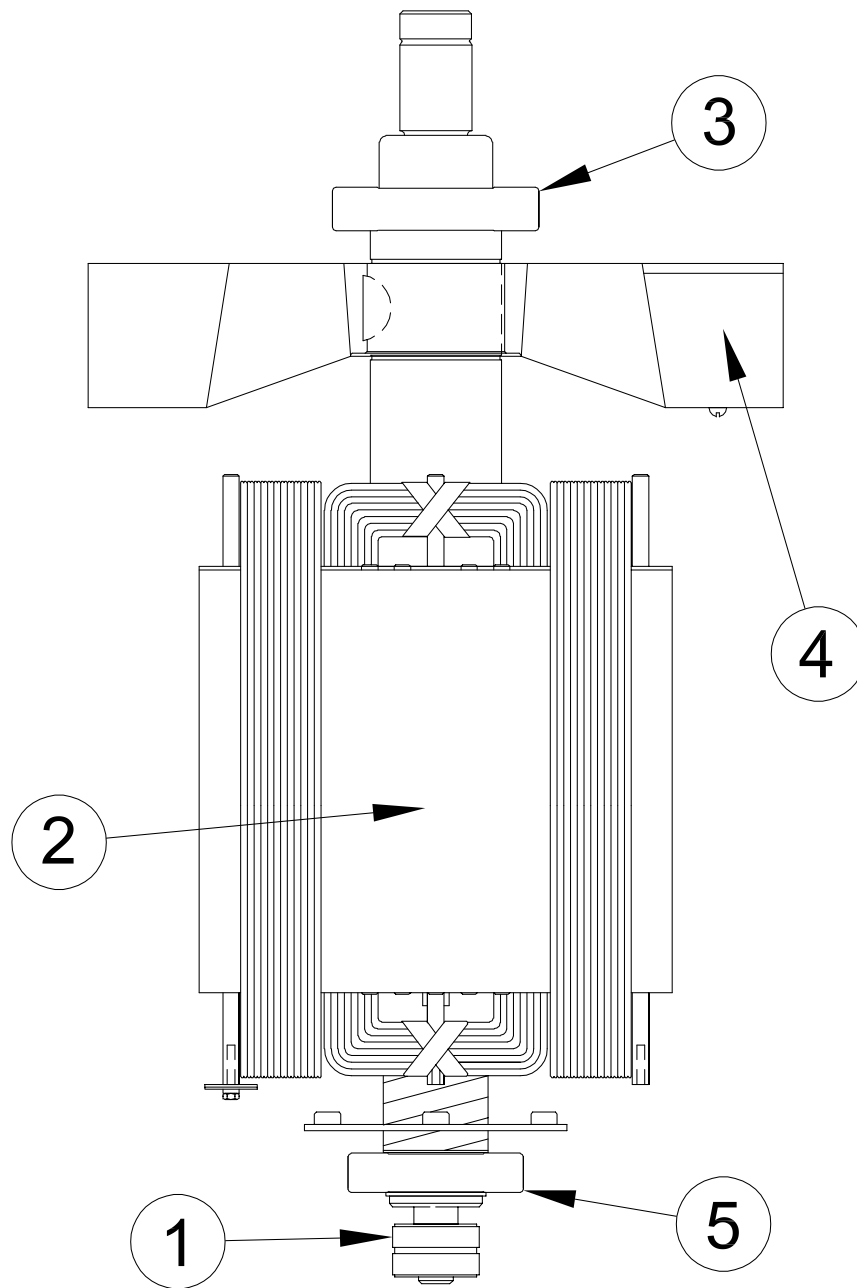
# RECEPTACLE PANEL ASSEMBLY



REF #	PART NUMBER	QTY	DESCRIPTION
1	91246-005	1*	Panel Screen
2	61138-005S	1*	Receptacle Panel
3	91286-001	1	20 Amp Breaker
4	50766-000	1	20 Amp Receptacle
5	57325-000	1	NEMA 6-50R Receptacle
6	300117-1	2	Connector Support
7	EE2331	2	175 Amp Housing
8	EE23325	2	1/0 AWG Contact
9	EE23302	2	# 2 AWG Bushing

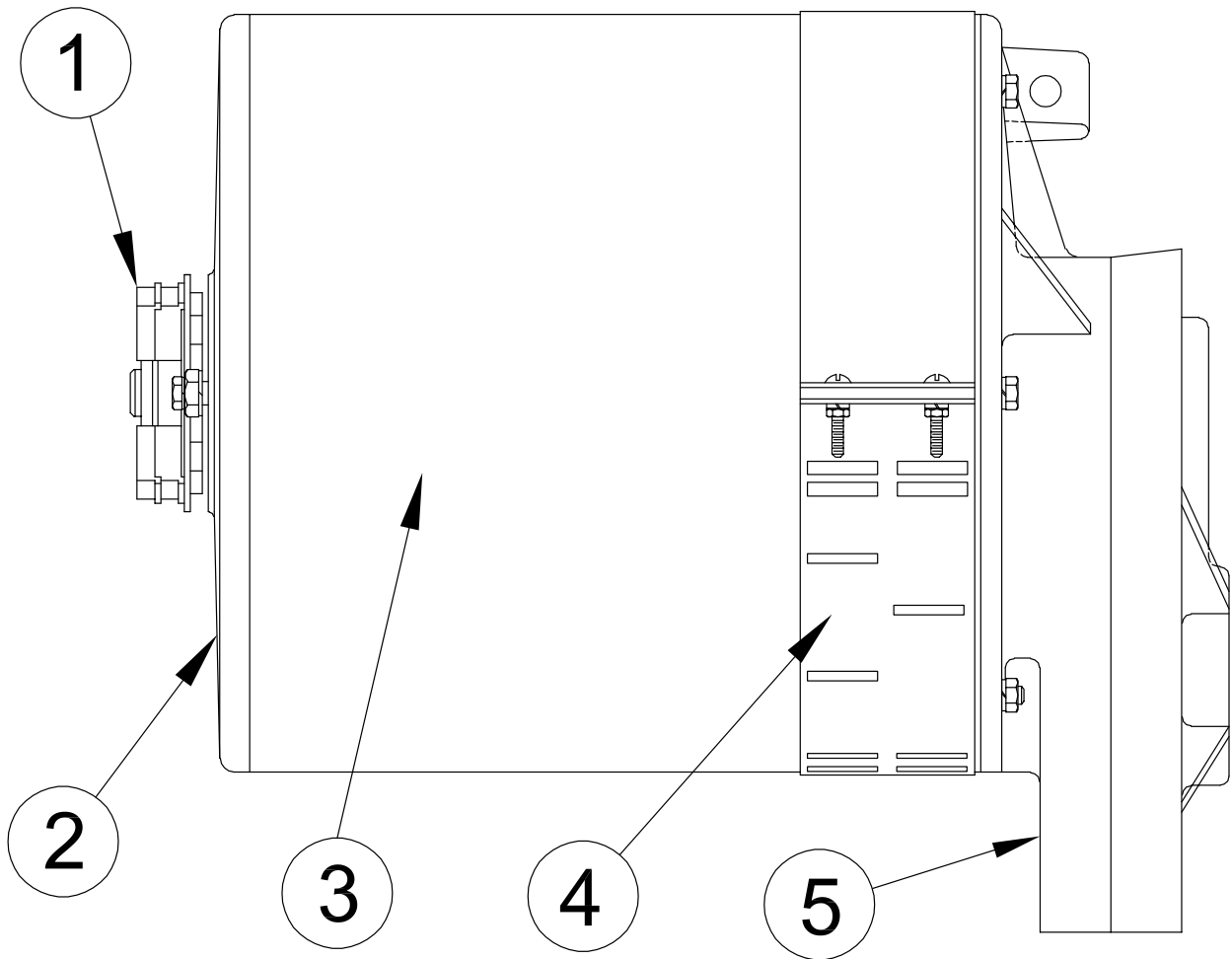
\* Early versions had this Screen. Later versions had the mesh screen as part of the Receptacle panel.

# COMPLETE ROTOR ASSEMBLY



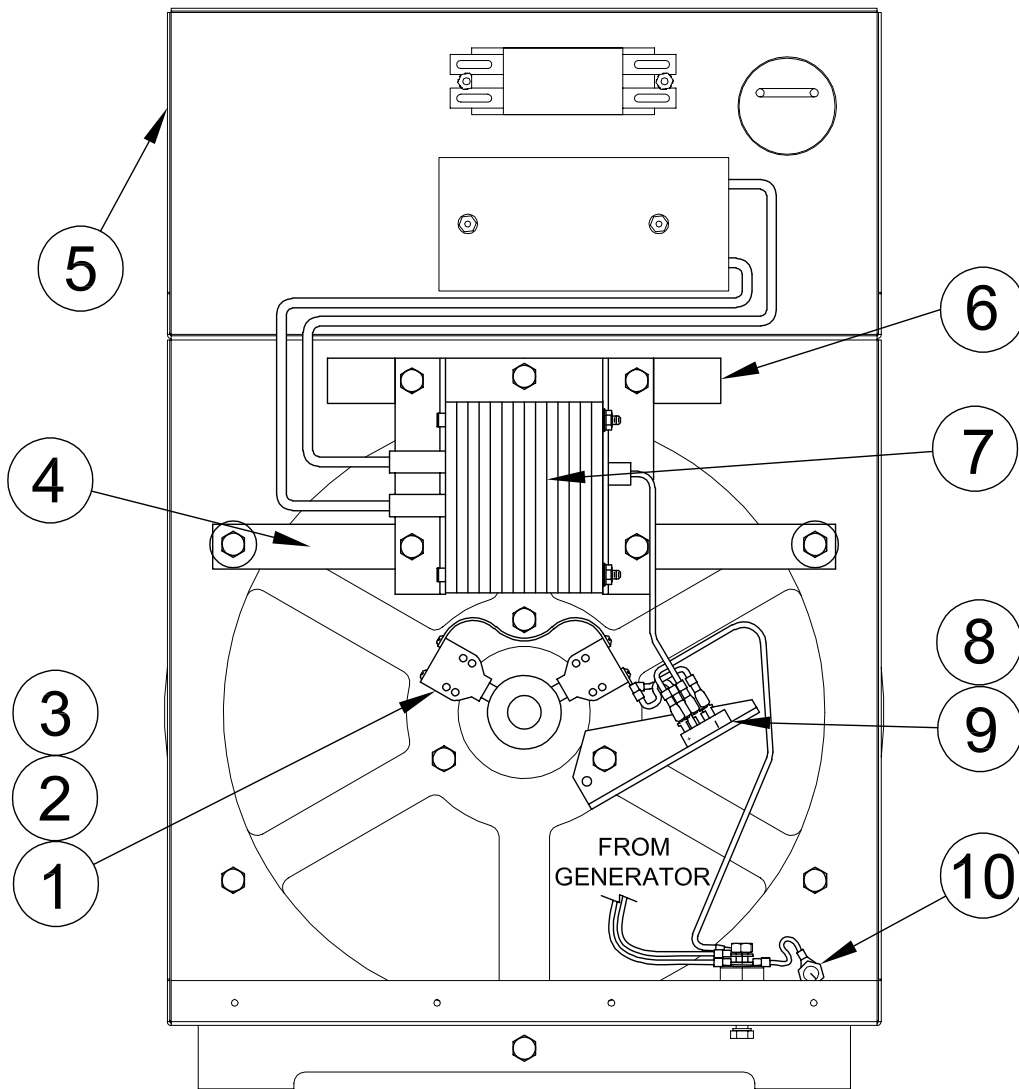
REF #	PART NUMBER	QTY	DESCRIPTION
1	55088-000	1	Slip Ring, 2-Rings
2	99301-000	1	Complete Rotor Assembly (Includes Bearings)
3	91112-000	1	Bearing
4	91101-000	1	Impeller (Fan)
5	91111-000	1	Bearing

# STATOR & GEAR CASE ASSEMBLY



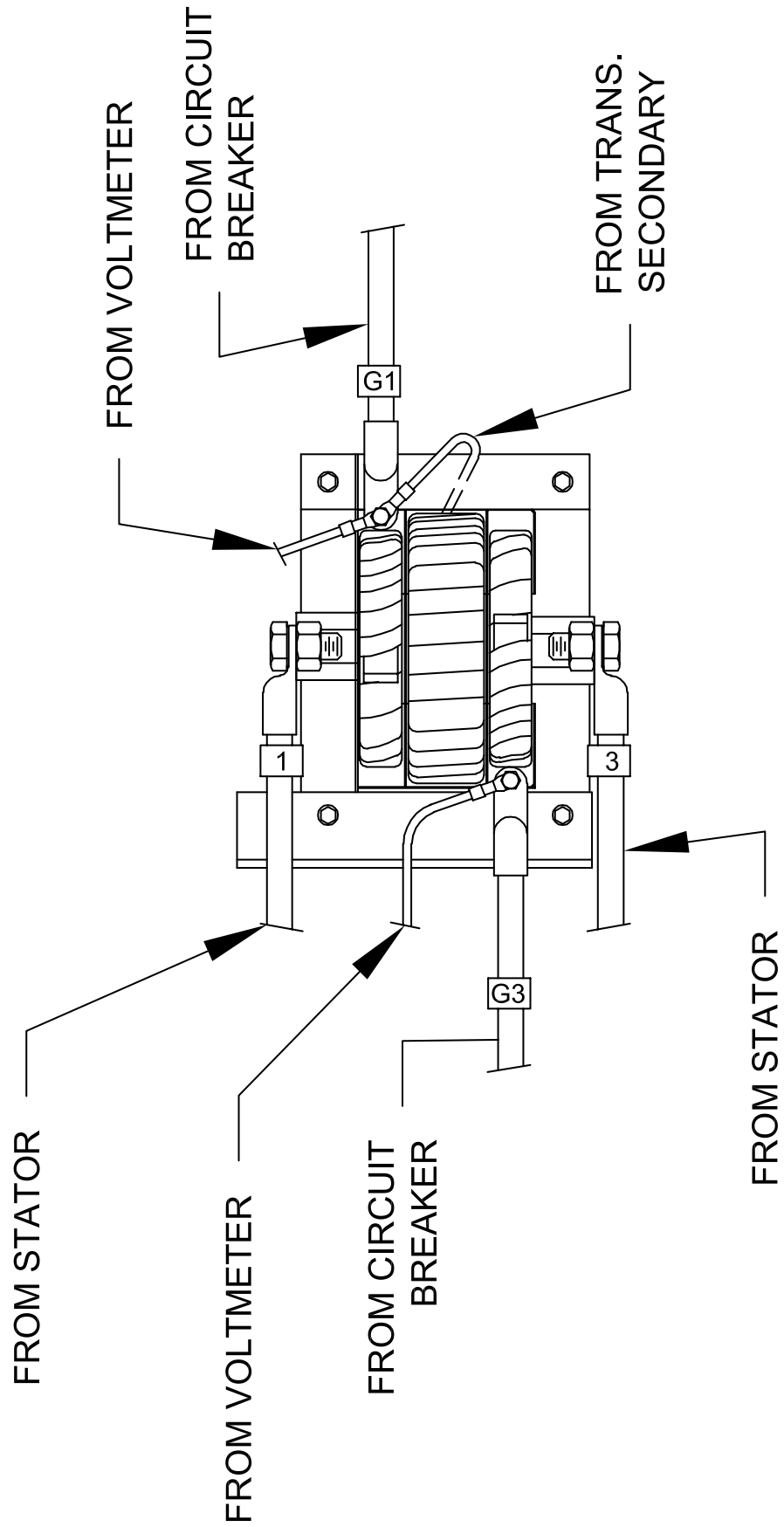
REF #	PART NUMBER	QTY	DESCRIPTION
1	91251-000	1	Brush Holder Assembly
2	91212-000	1	End Bracket
3	91148-029	1	Complete Stator Assembly
4	91337-000	1	Cooling Air Screen
5	Reference	1	Gear Box Assembly
NI	91137-000	1	Eye Bolt
NI	Not Illustrated		

# TRANSFORMER ASSEMBLY

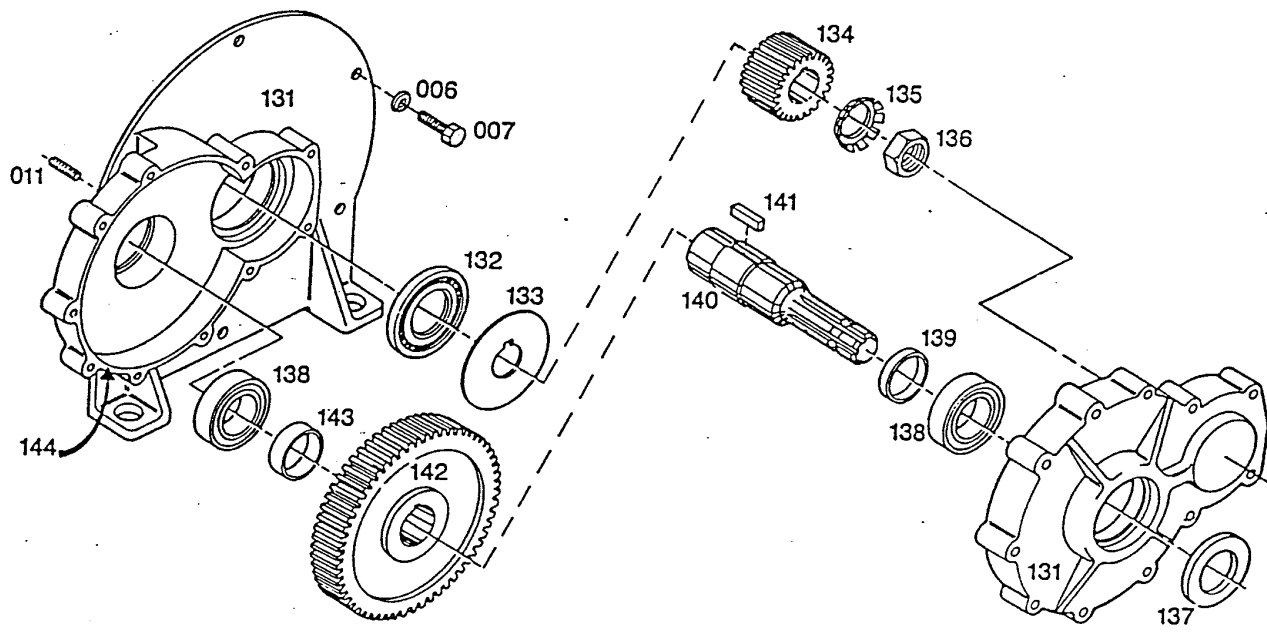


REF #	PART NUMBER	QTY	DESCRIPTION
1	23607-000	4	AC Brush
2	59690-000	4	AC Brush Holder
3	41378-013	2	Copper Strap
4	91436-000	1	Strap
5	91174-40	1	Cover
6	91400-000	1	Strap
7	91397-002	1	Transformer
8	91179-000	1	Bracket
9	91452-000	1	Bridge Rectifier
10	48043-000	1	Ground Lug
NI	15750-001	1	Ground Decal
NI	Not Illustrated		

# TRANSFORMER CONNECTIONS



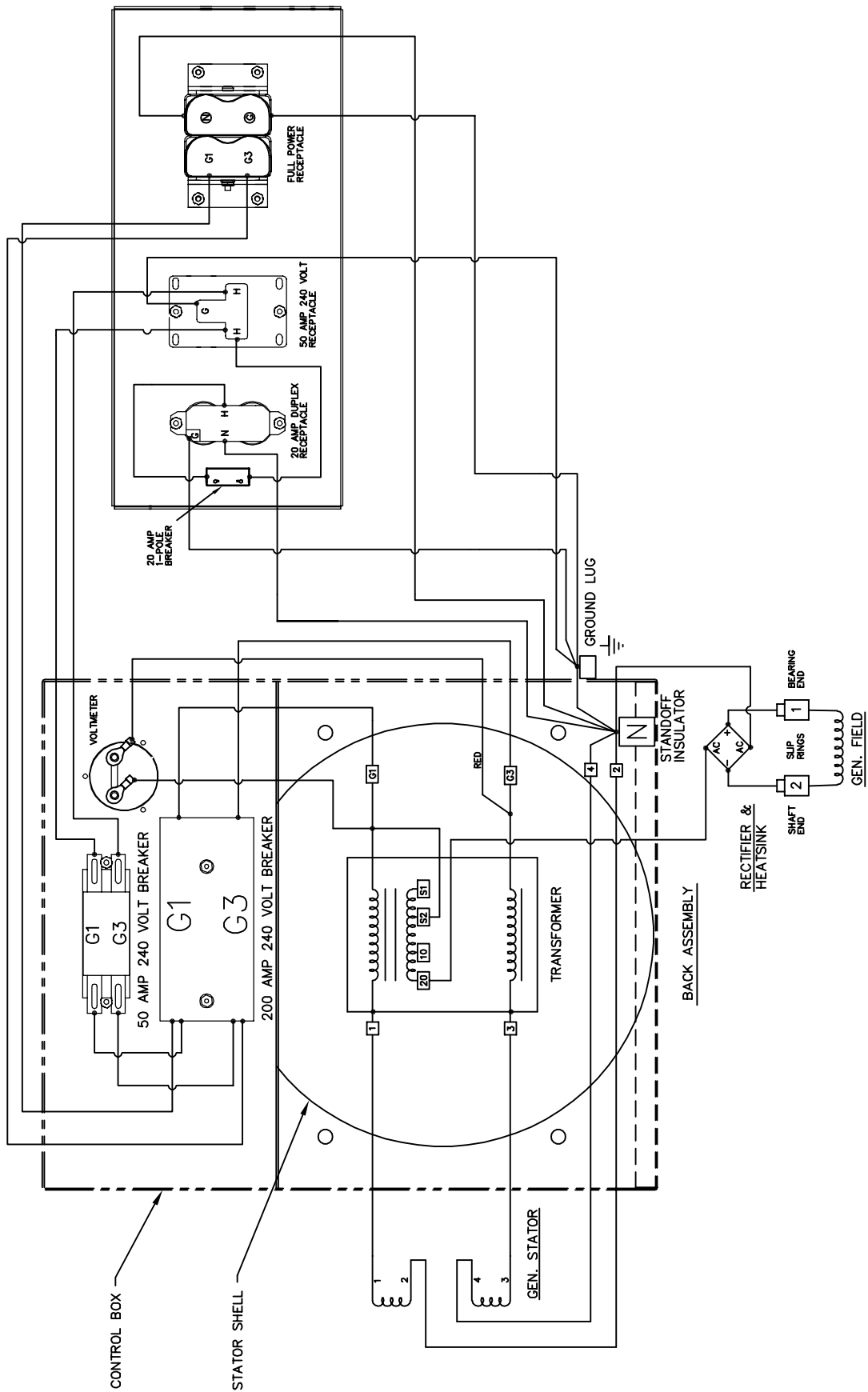
# GEAR BOX ASSEMBLY



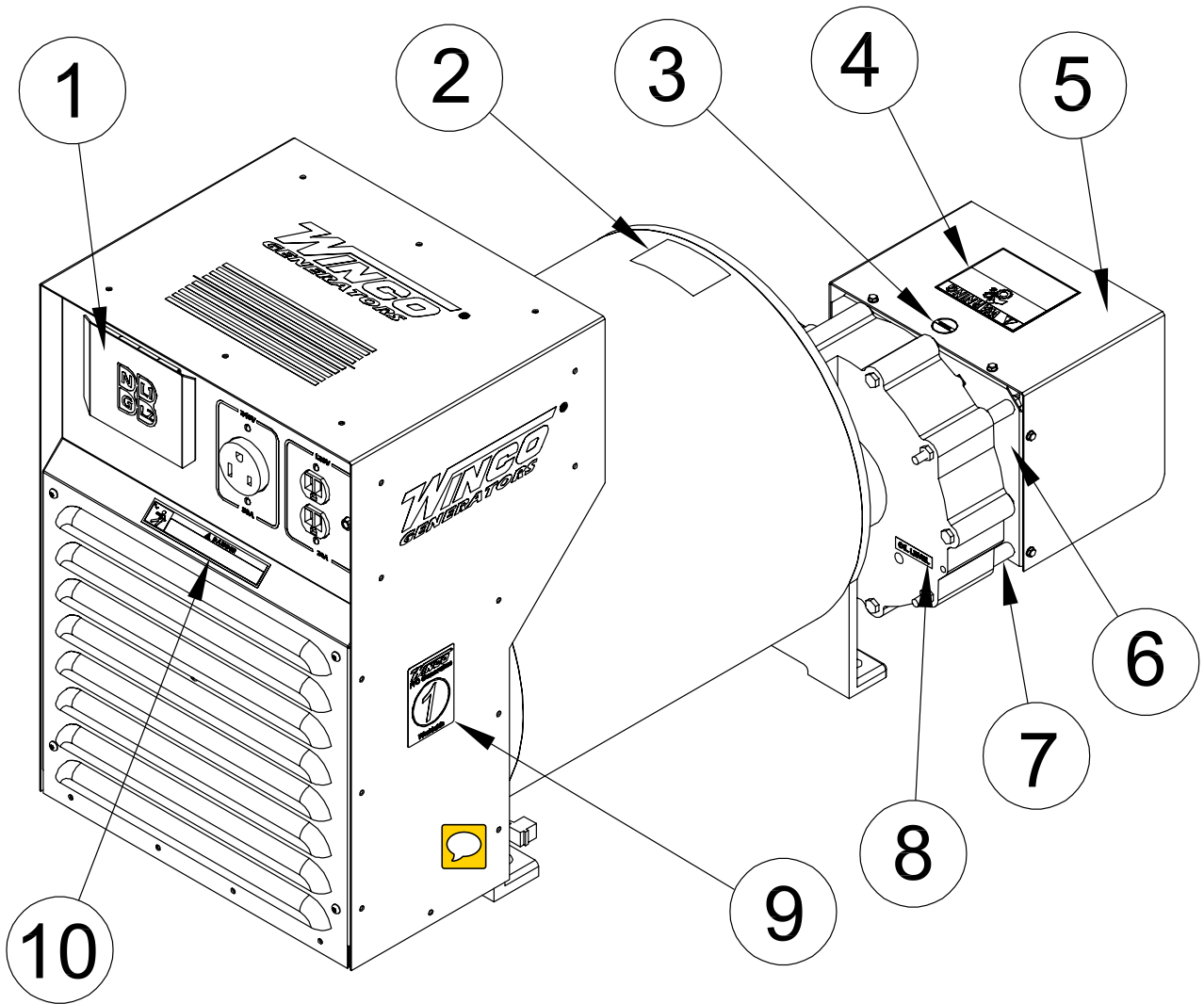
REF #	PART #	QTY	DESCRIPTION
006	90570-000	4	Lock Washer
007	91256-000	4	Cap Screw
011	91138-000	2	Stud
131	91103-400	1	Support & Cover
132	91116-000	1	Seal (Rotor Shaft)
133	91345-000	1	Slinger
134	91224-000	1	Gear (1000 rpm pinion)
134	91225-000	1	Gear (540 rpm pinion)
135	50531-000	1	Lock Washer
136	50532-000	1	Nut
137	91247-000	1	Seal (Cover)
138	91111-000	2	Bearing
139	91108-001	1	Spacer (Front)
140	91344-000	1	Shaft
141	91117-000	1	Key
142	91248-000	1	Gear (1000 rpm input)
142	91118-000	1	Gear (540 rpm input)
143	91108-002	1	Spacer (Rear)
144	91104-000	1	Gasket
NI	40716-000	1	Breather
NI	Not Illustrated		



# WIRING DIAGRAM



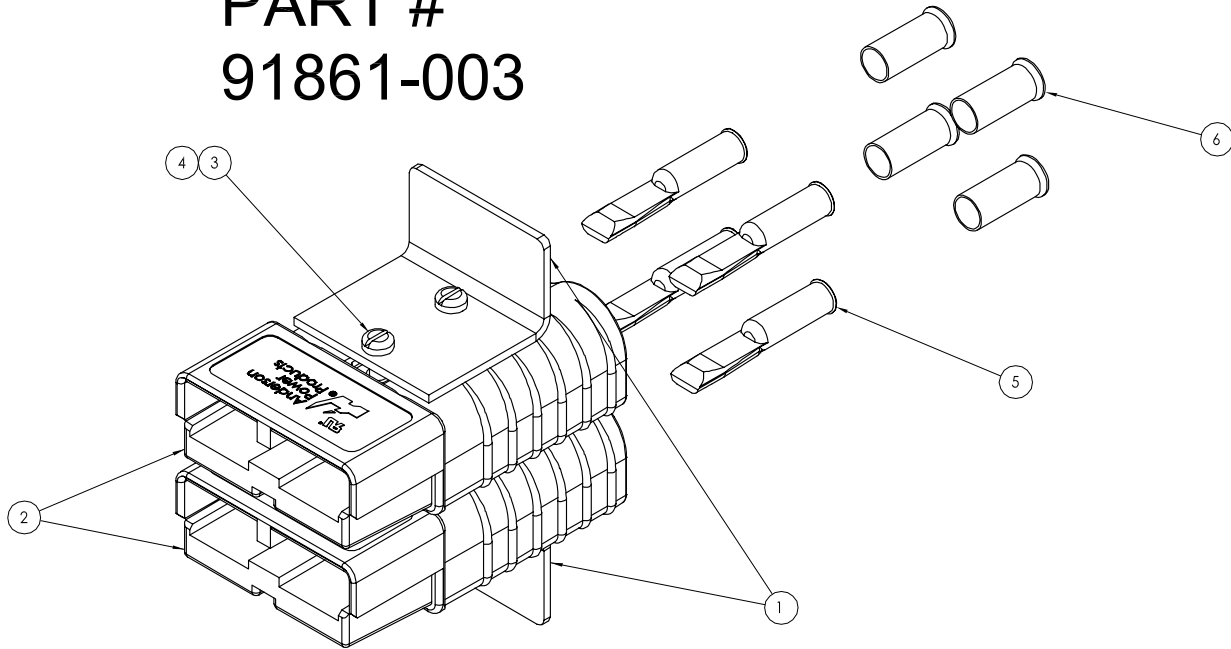
# COMPLETE UNIT ASSEMBLY



REF #	PART NUMBER	QTY	DESCRIPTION
1	G72137	1	Hinged Cover
2	91369-000	1	540 RPM Decal
3	52077-000	1	Oil Level Caution Decal
4	64515-000	1	PTO Warning Decal
5	91171-000	1	Shield
6	91170-000	1	Shield Bracket
7	62825-004	4	Spacer
8	16303-000	1	Oil Level Decal
9	98479-000	2	Winco # 1 Decal
10	15209-003	1	Electrical Shock Decal

# PLUG KIT ASSEMBLY

PART #  
91861-003



ITEM NO.	PartNo	DESCRIPTION	QTY.
1	300118-1	HANDLE	2
2	EE2331	350A HOUSING	2
3	21003	RHMS 10-24 X 3.25	2
4	99671-000	NUT HEX #10-24 FLANGE LOCK ZINC	2
5	EE23325	1/0 CONTACT	4
6	EE23301	#1 BUSHING	4

# TECHNICAL DATA

<b>UNIT MODEL #</b>	<b>50PTOC-3/B &amp; 50FPTOC-3/B</b>
AC RESIDUAL VOLTS	7.0 VAC L-L
FIELD RESISTANCE	3.99 - 4.43 OHMS
WINDING SPEC.	SS1564
ARM. CONNECTION	AC315