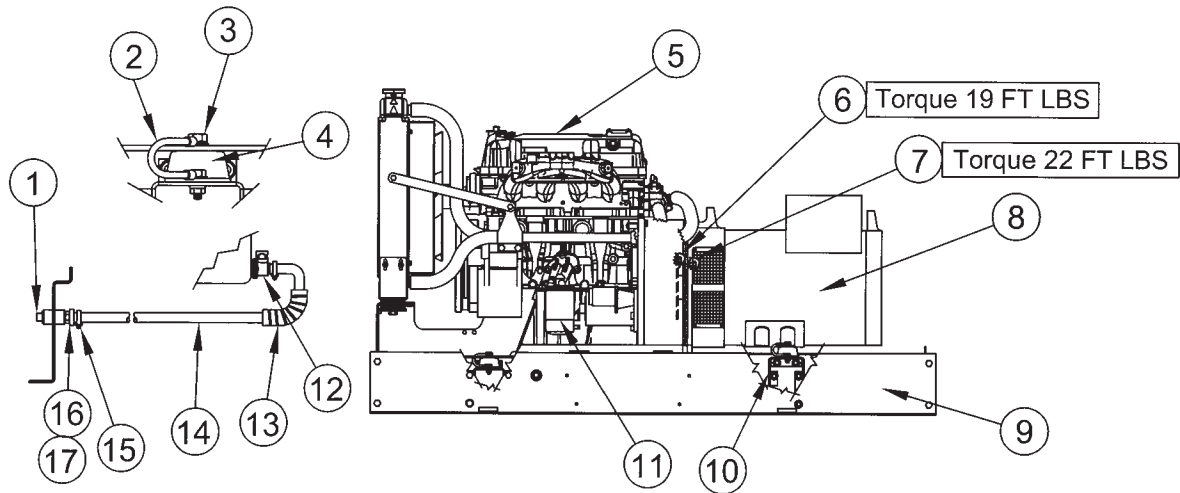




# ENGINE GENERATOR & BASE ASSEMBLY

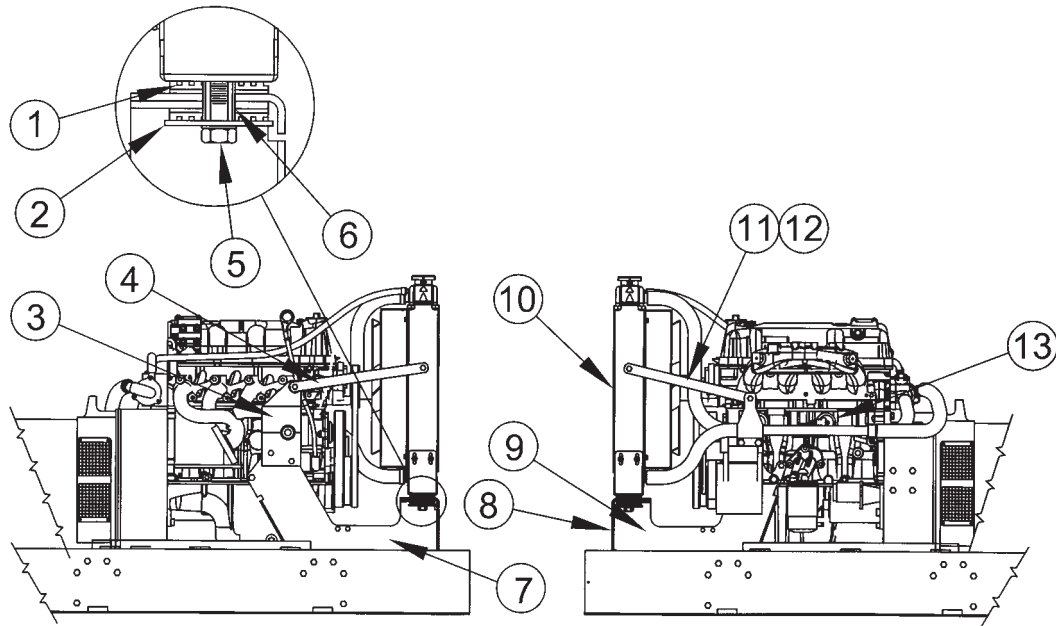



<u>REF #</u>	<u>PART NUMBER</u>	<u>QTY</u>	<u>DESCRIPTION</u>
1	93084-000	1	1/2" NPT Plug
2	64906-000	2	Lead Wire Assembly
3	91658-001	4	3/8-18 X 1 Hex Head Bolt
4	99050-000	4	Shock Mount
5	63803-005	1	Engine, Ford Model TSG416I-6005-A
6	91546-000	8	5/16-18 x 3/4 Hex Head Bolt
7	94282-035	8	M10-1.5 X 35 MM Hex Head Bolt
8	64887-000	1	Generator, Mecc Alte Spa Model ECO 28-3L/2
9	64889-401	1	Left Base Side Rail
10	99312-407	1	Generator Cross Member
11	E4FZ-6731-AB	1	Oil Filter
12	98906-016	1	Oil Drain Valve
13	99843-000	1 FT	Hose Loom
14	55505-000	2.34 FT	3/8" Hose (28")
15	81018-008	2	Hose Clamp
16	94319-007	1	Hose Fitting
17	56372-000	1	1/2" X 3/8" Reducer
NI	99308-408	1	Front Base Cross Member
NI	99308-409	1	Rear Base Cross Member
NI	99311-404	1	Engine Cross Member
NI	99309-427	1	Right Base Side Rail
NI	63803-006	1	High Water Temperature Switch
NI	350101-1	1	Magnetic Pickup



NI Not Illustrated

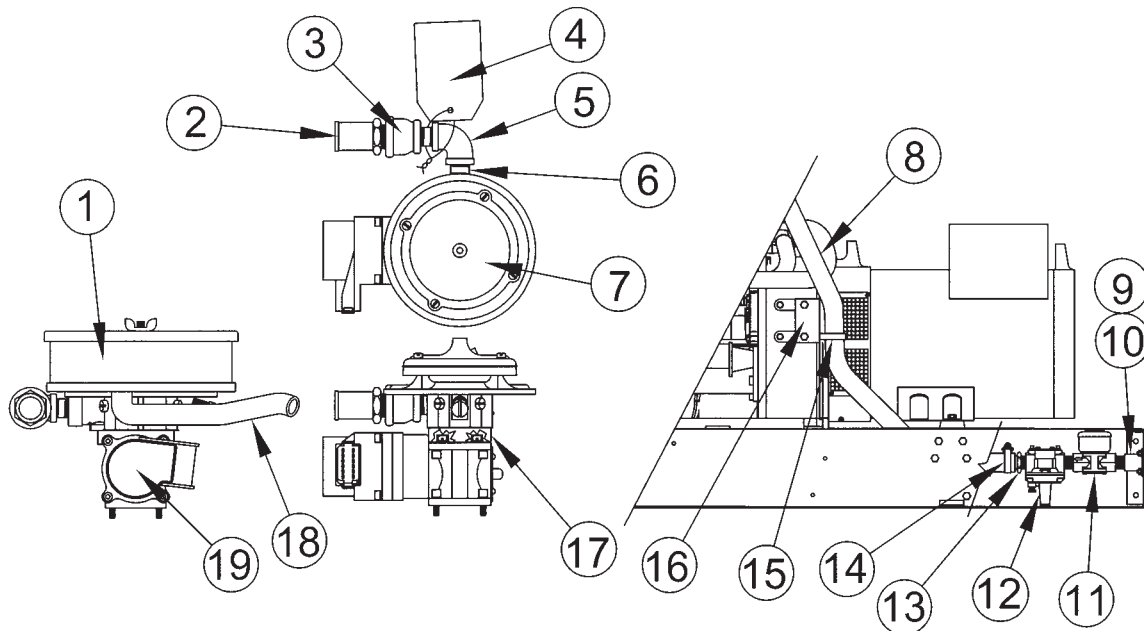
# RADIATOR INSTALLATION



<u>REF #</u>	<u>PART NUMBER</u>	<u>QTY</u>	<u>DESCRIPTION</u>
1	90931-017	4	Vibration Isolator
2	95904-001	2	.563 I.D. X 2.375 O.D. Washer
3	63809-403	1	Spacer Bracket
4	63834-407	1	Radiator Spacer Bracket
5	93679-002	2	1/2-13 X 1-3/4 Hex Head Bolt
6	64883-000	2	.563 I.D. X .750 O.D. X .906 Spacer
7	63810-402	1	Right Engine Mounting Bracket
8	63811-404	1	Stiffener Plate
9	63809-402	1	Left Engine Mounting Bracket
10	Reference	1*	Radiator
11	63834-408	1	Radiator Spacer Bracket
12	64062-000	2	Shock Mount
13	350087-18	1	Engine Block Heater 
NI	63811-403	1	Radiator Mounting Spreader
NI	63834-406	1	Alternator Spacer

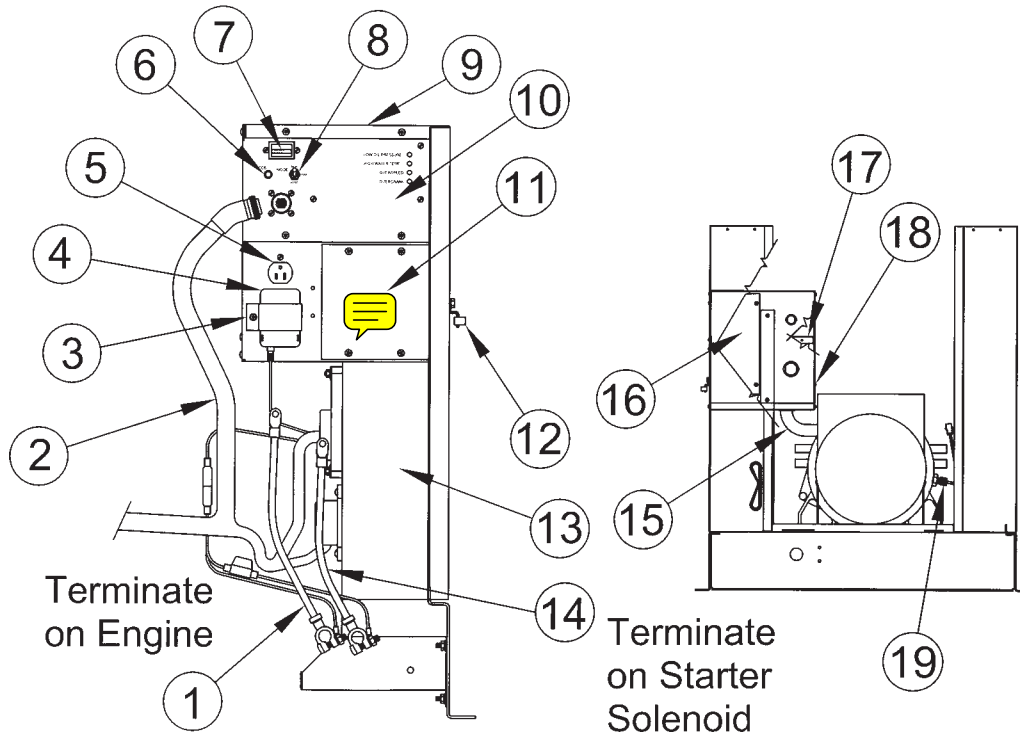
NI Not Illustrated  
\* Provided by Ford

# LP/NG FUEL SYSTEM



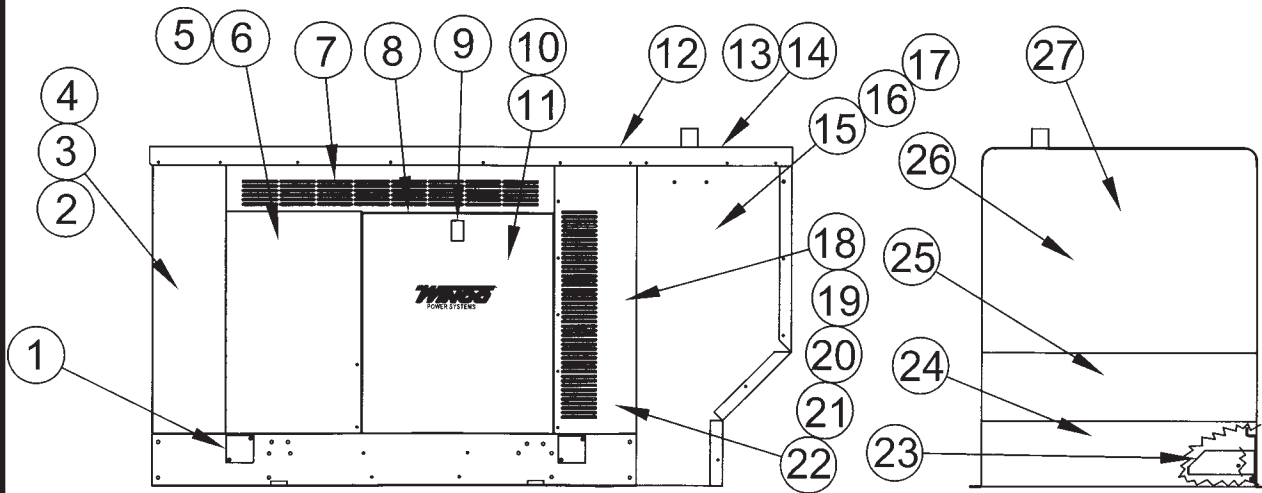
<u>REF</u>	<u>PART NUMBER</u>	<u>QTY</u>	<u>DESCRIPTION</u>
1	81073-000	1	Air Cleaner
2	92388-004	1	3/4" Pipe to 1" Hose Fitting
3	95954-001	1	3/4" to 1/2" Bell Reducer
4	56597-000	1	Regulator Tag
5	81074-000	1	1/2" X 90° Elbow
6	22768-000	2	1/2" Pipe Nipple
7	350495-1	1	Fuel Mixer
8	49409-007	4 FT	Hose (cut to 47")
9	55931-000	1	Fuel Inlet Bracket
10	22626-000	2	3/4" Pipe Nipple
11	42942-000	1	Fuel Solenoid Valve
12	50248-000	1	Fuel Regulator
13	92388-004	1	Fitting, 3/4" Pipe to 1" Hose
14	81018-004	2	Hose Clamp
15	97391-009	1	Cushioned Clamp
16	61294-007	1	Angle Bracket
17	64617-002	1	Carburetor Adapter
18	62286-000	1 FT	Hose
19	99526-005	1	Electronic Governor

# ELECTICAL SYSTEM ASSEMBLY



<u>REF #</u>	<u>PART NUMBER</u>	<u>QTY</u>	<u>DESCRIPTION</u>
1	22097-007	1	Negative Battery Cable
2	64613-006	1	Modified Engine Harness
3	300308-410	1	Battery Charger Strap
4	16287-000	1	Battery Charger
5	24749-000	1	Duplex Receptacle
6	91286-000	1	15 Amp Circuit Breaker
7	58166-006	1	Running Time Meter
8	71216-001	1	DPDT Toggle Switch
9	61294-405	1	Control Box Top and Back
10	63740-404	1	Control Panel
11	64780-404	1	Control Box Cover Plate
12	48042-000	1	Ground Lug
13	63764-405	1	Ignition Module Panel
14	22097-004	1	Positive Battery Cable
15	64613-008	1	AC Wiring Harness
16	64780-402	1	Control Box Cover Plate
17	63742-404	1	Electrical Box Partition
18	64780-403	1	Electrical Box Cover Plate
19	99503-000	1	Modification Magnetic Pick-up
NI	64813-400	1	Engine Control Module
NI	95064-002	1	3/4 Amp Fuse
NI	Not Illustrated		

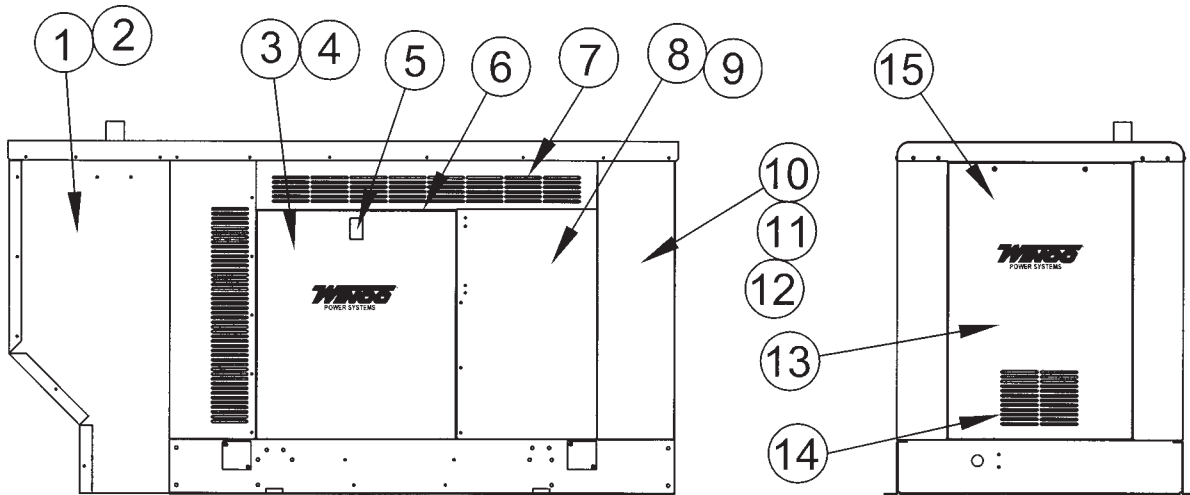
# RIGHT SIDE & FRONT END HOUSING



<u>REF #</u>	<u>PART NUMBER</u>	<u>QTY</u>	<u>DESCRIPTION</u>
1	99060-405	4	Lifting Hole Cover Plate
2	99067-405	1	Right Rear Corner Post
3	99788-456	1	Foam Part
4	99788-457	1	Foam Part
5	99066-402	1	Right Rear Side Panel
6	99788-459	1	Foam Part
7	99325-408	1	Door Sill
8	99333-402	1	Door Stop
9	95229-005	1	Door Latch
10	16360-406	1	Side Door
11	99788-446	1	Foam Part
12	62026-000	1	Coolant Access Cover
13	99086-009	1	Roof
14	99788-461	1	Foam Part
15	99392-409	1	Front Right Extension
16	99788-452	1	Foam Part
17	99788-451	1	Foam Part
18	99071-408	1	Front Divider
19	99378-413	2	Divider Baffle
20	99788-447	2	Foam Part
21	99788-448	2	Foam Part
22	99788-448	1	Foam Part

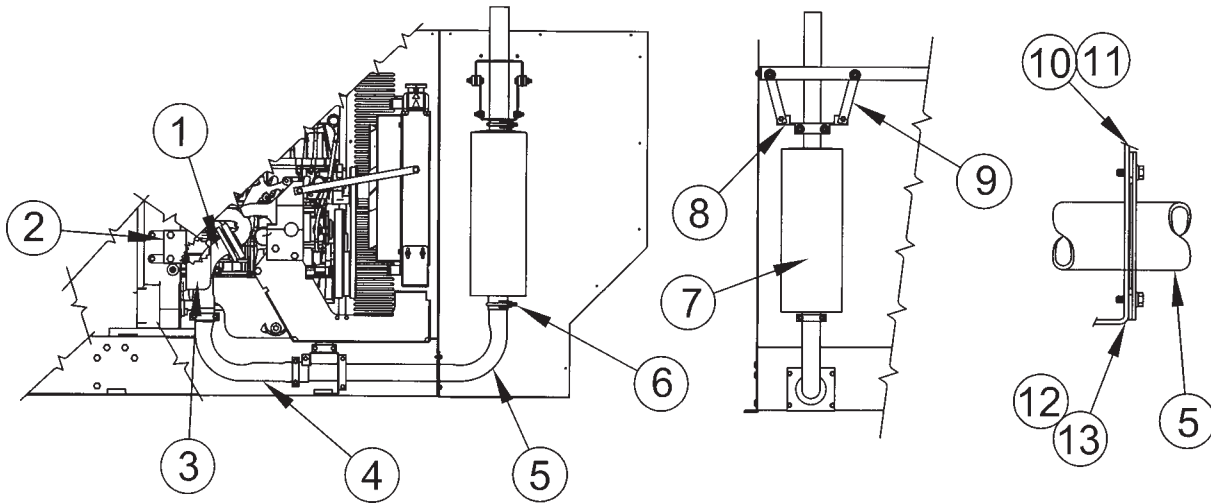
<u>REF #</u>	<u>PART NUMBER</u>	<u>QTY</u>	<u>DESCRIPTION</u>
23	99317-402	1	Battery Tray
24	99788-453	1	Foam Part
25	99788-454	1	Foam Part
26	99788-455	1	Foam Part
27	99083-403	1	Front End Panel
NI	62912-000	8.5 FT	Neoprene Foam Strips
NI	Not Illustrated		

## LEFT SIDE & REAR HOUSING



<u>REF #</u>	<u>PART NUMBER</u>	<u>QTY</u>	<u>DESCRIPTION</u>
1	99392-408	1	Left Front Extension
2	99788-450	1	Foam Part
3	16360-406	1	Side Door
4	99788-446	1	Foam Part
5	95229-005	1	Door Latch
6	99333-402	1	Door Stop
7	99325-408	1	Door Sill
8	99066-401	1	Left Rear Side Panel
9	99788-458	1	Foam Part
10	99067-404	1	Left Rear Corner Post
11	99788-456	1	Foam Part
12	99788-457	1	Foam Part
13	99788-465	1	Foam Part
14	64915-000	1	Rear Door Baffle
15	16360-407	1	Rear Door

# EXHAUST SYSTEM



REF #	PART NUMBER	QTY	DESCRIPTION
1	63825-006	1	Exhaust Header Pipe
2	61294-007	1	Angle Bracket
3	64714-002	1	Exhaust Shield
4	63825-007	1	90° Exhaust Intermediate Elbow
5	63825-008	1	90° Muffler Inlet Elbow
6	93489-003	4	Exhaust Clamp
7	61620-001	1	Muffler
8	63834-003	1	Muffler Hanger Bracket
9	63834-004	4	Exhaust Hanger Strap
10	16440-403	1	Closure Plate Frame
11	65004-000	4	1/4" - 20 X 1/2" Self Tapping Screw
12	16440-404	1	Closure Plate
13	16440-005	1	Exhaust Ring

**WINGCO INC**  
 A Division of **DTP** Dyna Technology Inc  
 225 South Cordova Avenue  
 Le Center MN 56057  
 507-357-6831  
 www.wincogen.com