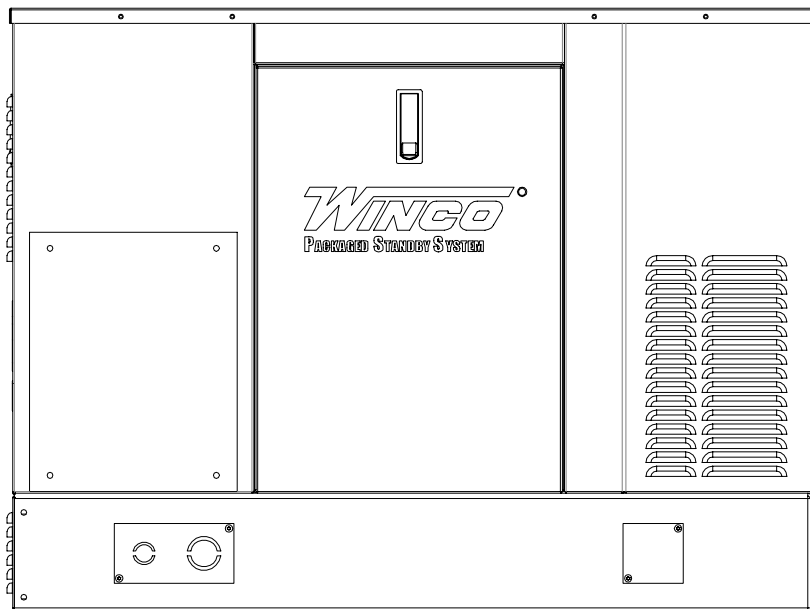




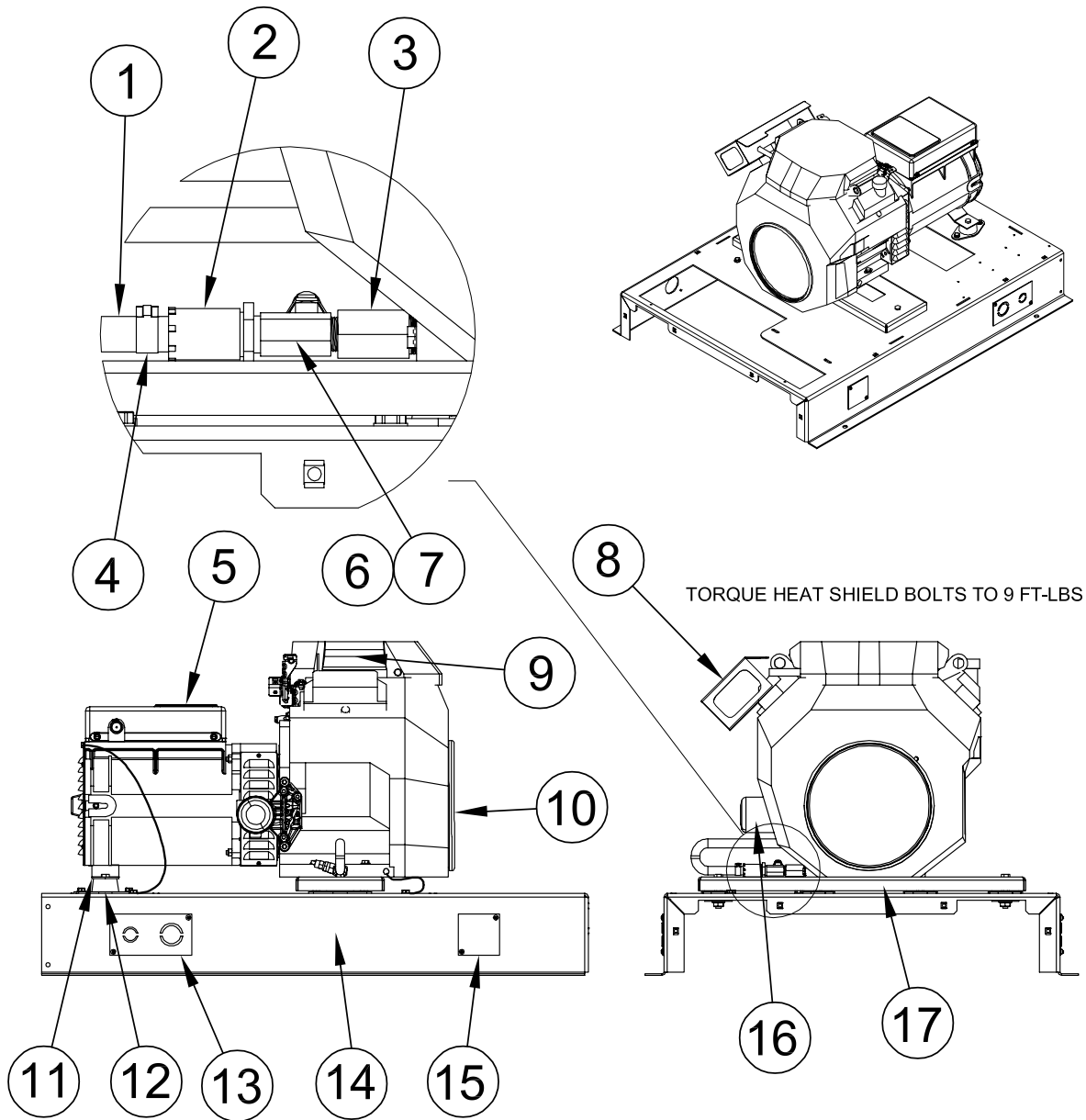
ILLUSTRATED PARTS LIST

ULPSS12H4W/E ULPSS12H2W/E



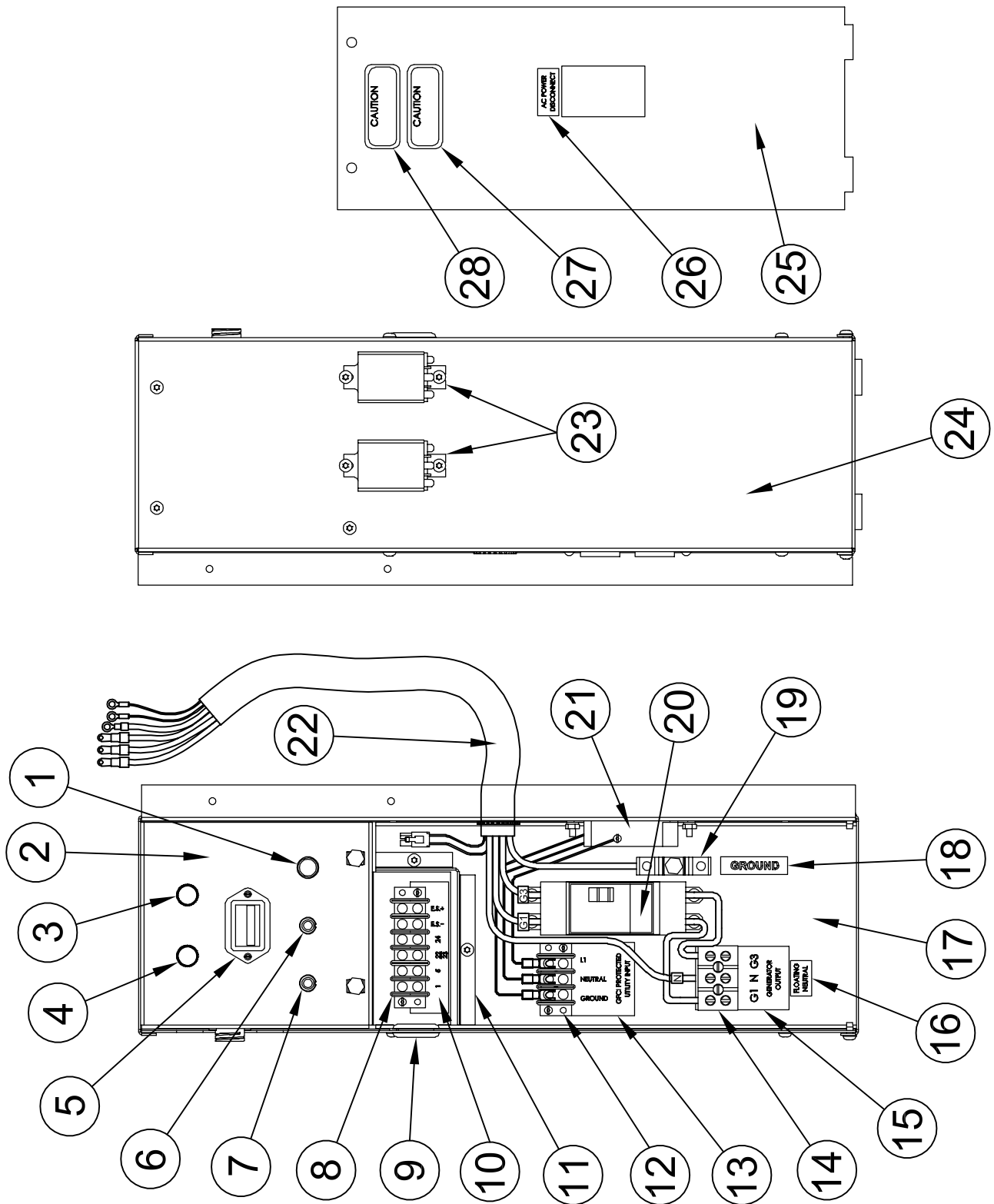
225 S. CORDOVA AVE.
LECENTER, MN 56057
507-357-6821
SERVICE DEPT.
507-357-6831
wincogen.com

ENGINE / GENERATOR ASSEMBLY



REF #	PART NUMBER	QTY	DESCRIPTION
1	62286-000	12"	Hose
2	300349	1	Oil Drain Valve
3	300349-2	1	Oil Drain Adapter
4	62999-004	1	Hose Clamp
5	351836-1	1	Generator, Mecc Alte Spa Model: S20FS-160/A
6	99967-000	1	Street Tee Fitting
7	15808-000	1	High Oil Temperature Switch
8	15687-009	1	Heat Shield
9	17210-Z6L-900	1*	Air Filter
	17218-Z6M-000	1*	Outer Air Filter
10	99780-002	1	Engine, Honda Model: GX690 VXC2 Code: GDACK
11	16430-101	1	Generator Support
12	98807-000	4	Shock Mount
13	300385-5	2	Lifting Eye Cover
14	16406-106	1	Base
15	300385-4	2	Lifting Hole Cover
16	15400-RTA-004	1*	Oil Filter
17	15636-105	1	Engine Support Tray
NI	ZFR5F-4	2**	NGK Spark Plug
*	Honda Part #		
**	NGK Part #		
NI	Not Illustrated		

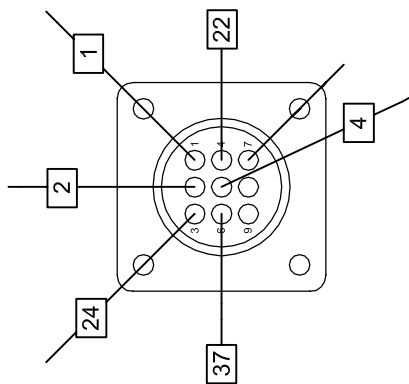
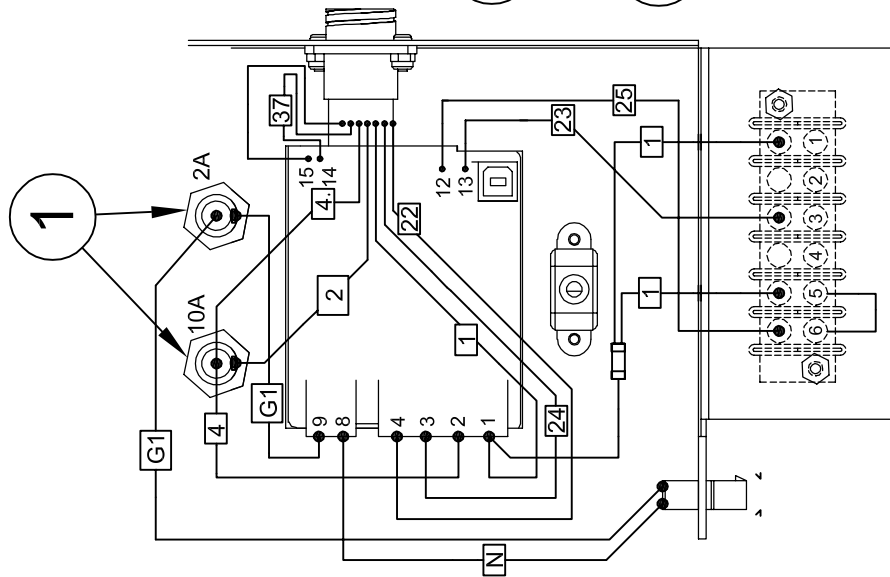
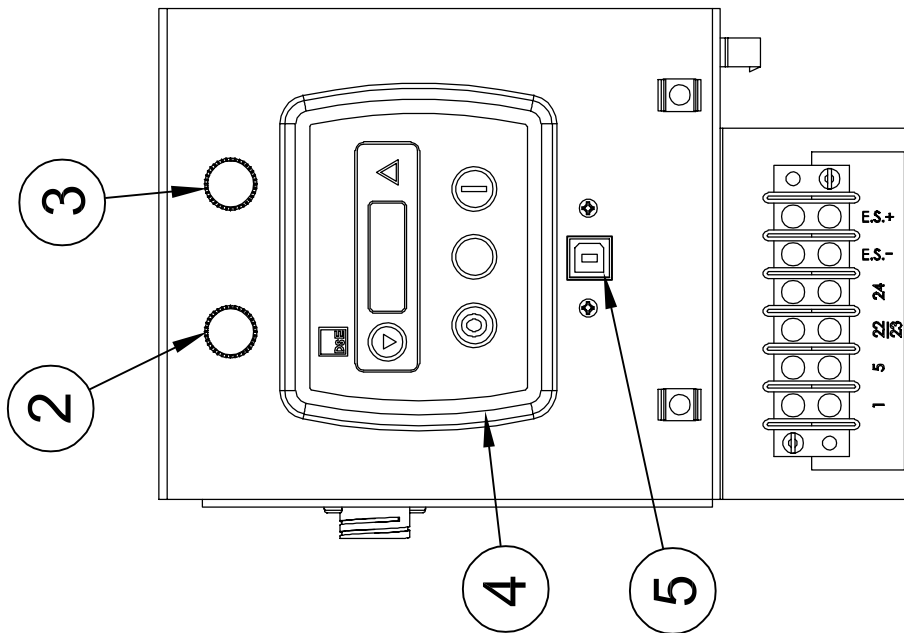
CONTROL TOWER ASSEMBLY



REF #	PART NUMBER	QTY	DESCRIPTION
1	64897-001	1	Indicator Light
2	15764-014	1	4-Wire Engine Control Assembly
3	95064-006	1	10 Amp Fuse
4	95064-008	1	2 Amp Fuse
5	58166-006	1	Running Time Meter
6	95894-001	1	Toggle Switch (on) - on - off
7	71215-002	1	Toggle Switch on - none - on
8	80623-000	1	6 Point Terminal Block
9	23917-000	1	Grommet
10	64576-018	1	Remote Start Decal
11	300309-3	1	DC Box
12	80623-005	1	3 Point Terminal Block
13	64576-006	1	GFCI Protected Decal
14	51795-000	1	3 Point Terminal Block
15	64576-005	1	Generator Output Decal
16	16501-000	1	Floating Neutral Decal
17	15666-008S	1	MLCB Panel
18	15750-001	1	Ground Decal
19	48042-000	2	Ground Lug
20	57030-000	1	50 Amp 2-Pole Circuit Breaker
21	24749-000	1	NEMA 5-15R Receptacle
22	9700-001	1	AC Lead-Wire Assembly
23	59944-002	2	SPDT Relay
24	15667-011S	1	Tower
25	15666-009S	1	MLCB Cover
26	16502-001	1	AC Power Disconnect Decal
27	16503-000	1	Copper Conductors Only Decal
28	63941-005	1	Circuit Energized Decal
NI	16287-000	1	Battery Tender
NI	15757-030	1	DC Harness
NI	21698-001	19	Torx Screws
NI	16454-001	1	Trans. Voltage Suppressor
NI	2489-001	2	Fuse Holder
NI	Not Illustrated		

NOTE: 2-Wire Engine Control Assembly: 15764-015 This is used if the gen-set
Is converted to a 2-wire start generator.

2-WIRE CONTROLLER ASSEMBLY (15764-015)



DESCRIPTION

- Fuse Holder
- 10 Amp Fuse
- 2 Amp Fuse
- DSE 3110 Controller
- USB Cable
- Remote Start Decal

QTY

- 2
- 1
- 1
- 1
- 1
- 1

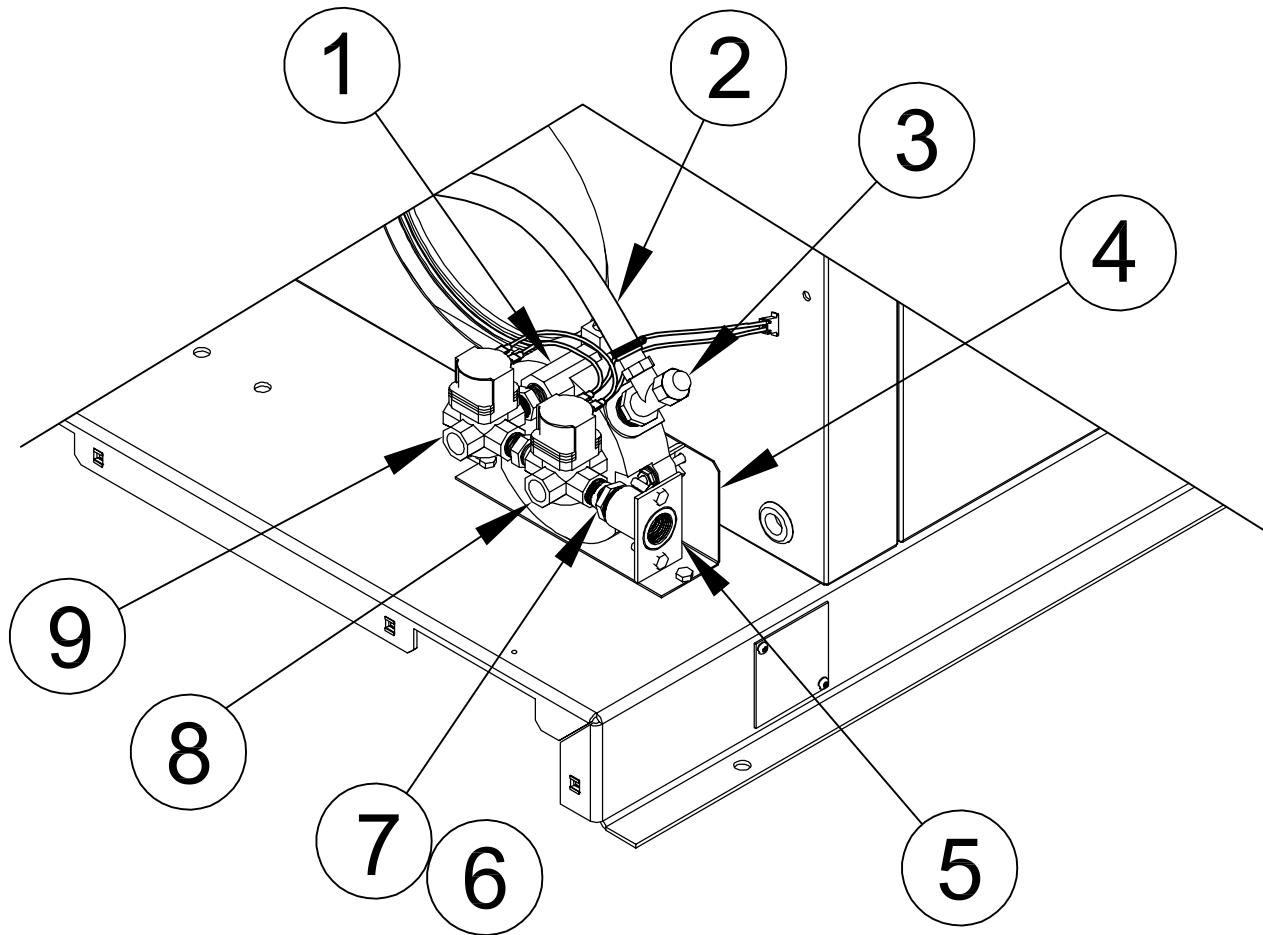
PART NUMBER

- 2489-001
- 95064-006
- 95064-008
- 351112-5
- 92844-005
- 64576-018
- Not Illustrated

REF

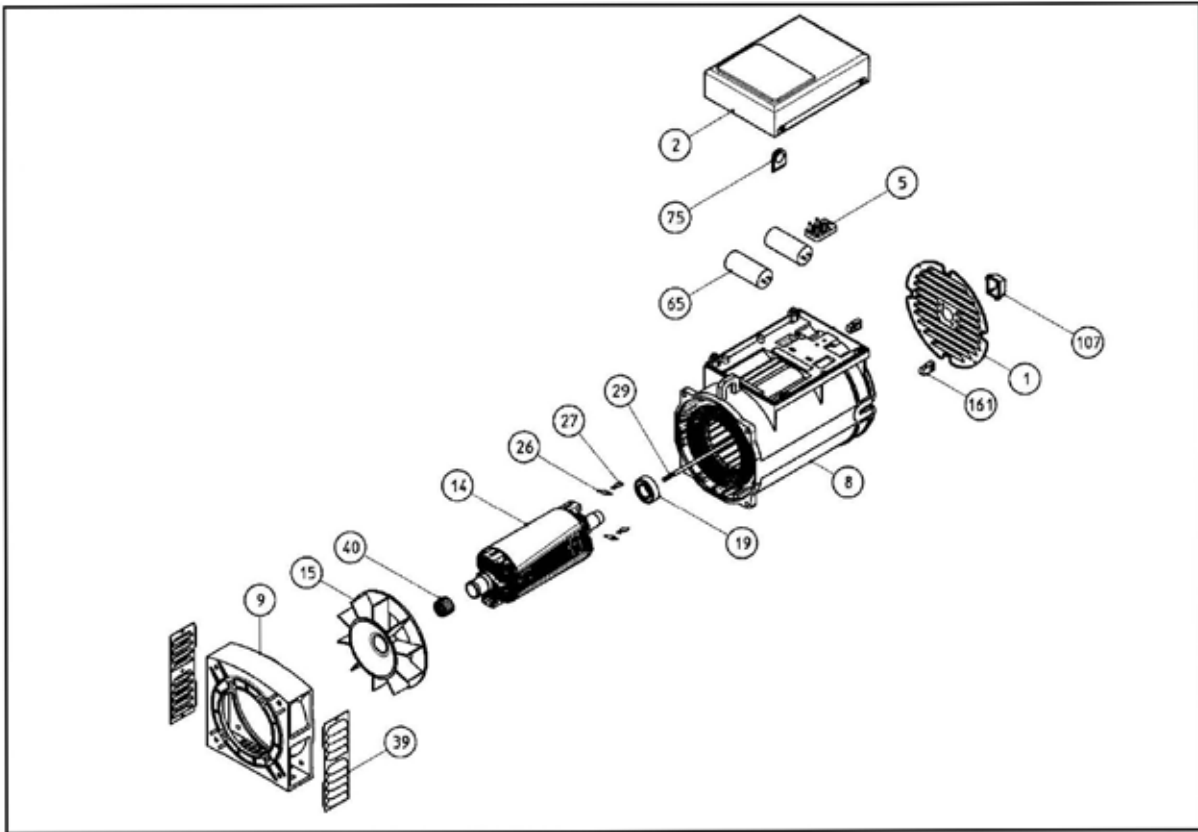
- 1
- 2
- 3
- 4
- 5
- NI
- NI

VAPOR FUEL SYSTEM ASSEMBLY



REF #	PART NUMBER	QTY	DESCRIPTION
1	16331-407	1	Demand Regulator
2	AH1-30634	40" *	½" Fuel Hose with Fitting
3	F4-30637	1*	Tee Fitting
4	99084-000	1	Mounting Bracket
5	99085-013	1	Fuel Inlet Weldment
6	81075-000	1	¾" to ½" Reducer
7	21089-000	1	½" Pipe Nipple
8	16331-402	1	Straight Fuel Solenoid
9	16331-403	1	90° Fuel Solenoid
NI	F4-30633	2*	½" Hex Nipple
NI	J1-30655-021	1*	Orifice Insert 5.9 mm NG
NI	J1-30655-004	1*	Orifice Insert 5.1 mm LP
NI	C2-30035	1*	Cap Nut
NI	Not Illustrated		
*	Impco part number		

GENERATOR END ASSEMBLY

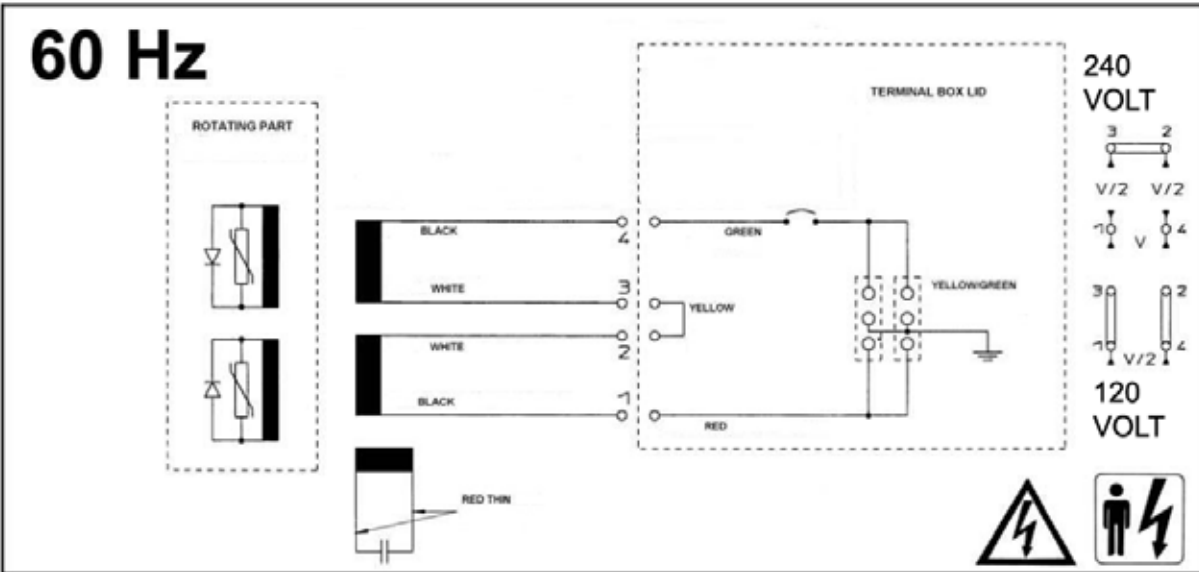


REF #	PART NUMBER	QTY	DESCRIPTION
	351836-1	1	Complete Generator End
19	54665-000	1	6205-2RS Bearing
26	300323-208	2	Varistor
27	300323-207	2	Diode
65	300323-112	2	31.5 mf 450 VAC Capacitor

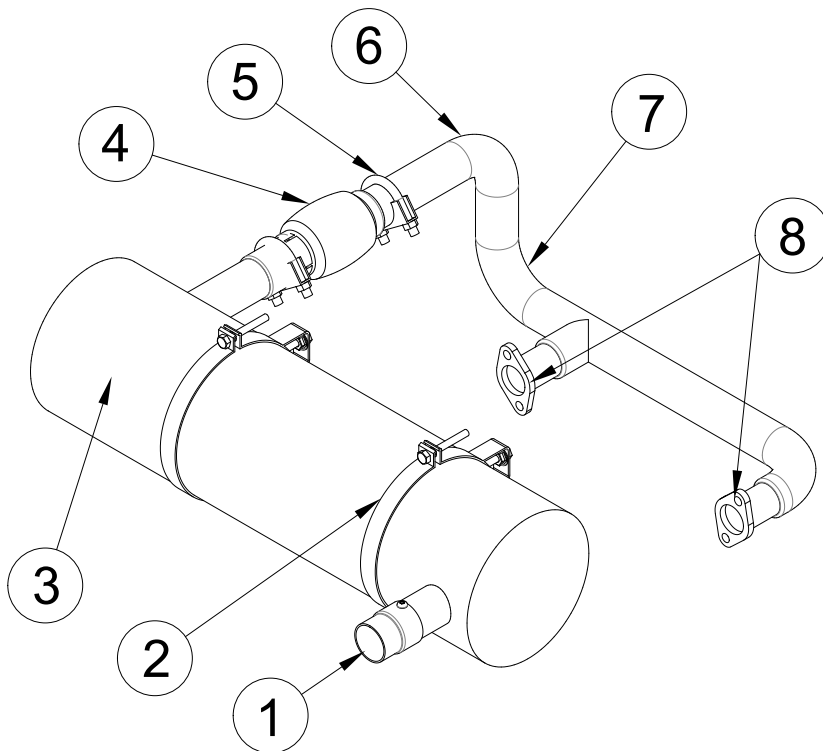
GENERATOR SPECIFICATIONS:

STATOR:	0.209 Ohms
ROTOR:	6.57 Ohms
CAPACITOR LEADS	0.60 Ohms

GENERATOR END SCHEMATIC



EXHAUST ASSEMBLY



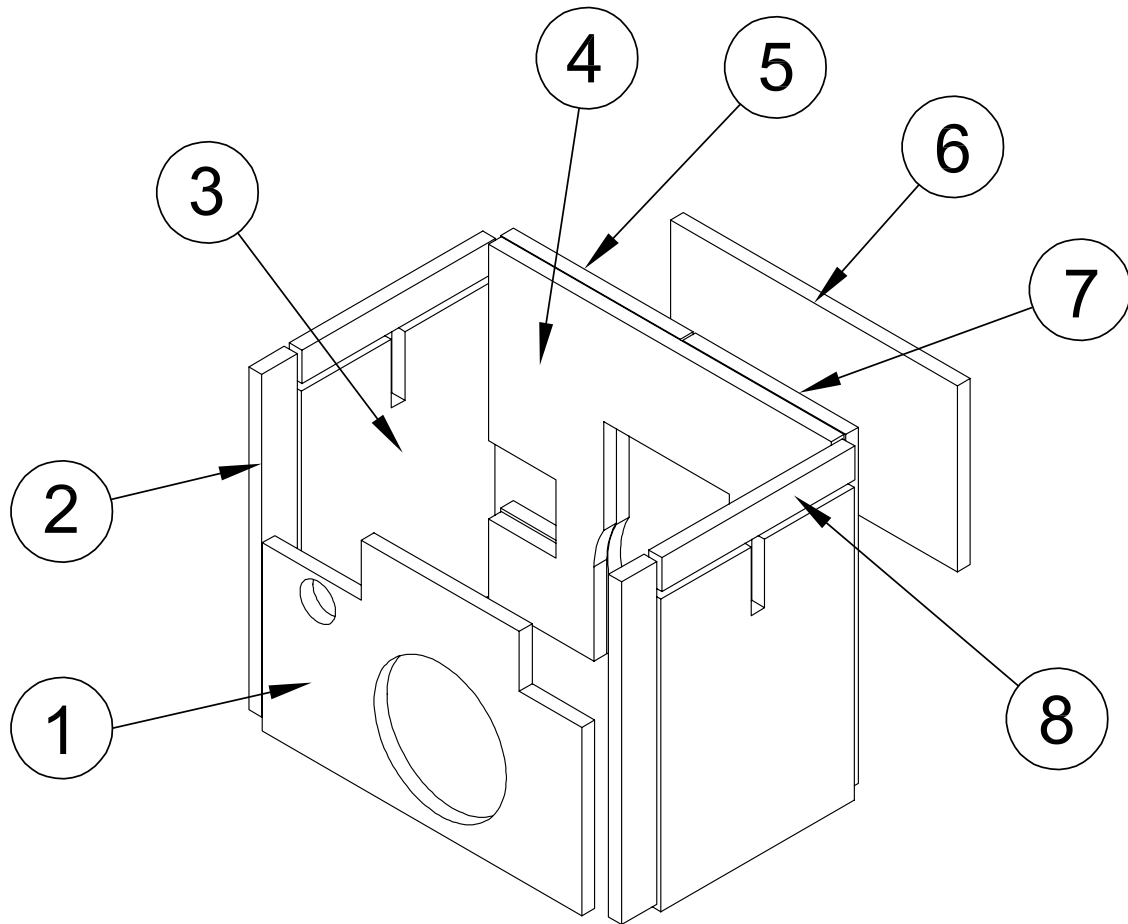
REF #	PART NUMBER	QTY	DESCRIPTION
1	16237-001	1	Spark Arrestor
2	350264-2	2	Muffler Bracket
3	350590-9	1	Muffler
4	16246-001	1	Exhaust Flex
5	93489-015	2	Exhaust Clamp
6	97274-000	11 FT	High Temperature Tape
7	16247-002	1	Exhaust Manifold
8	16247-002G	2	Exhaust Manifold Gasket

DECALS

PART NUMBER	QTY	DESCRIPTION
15209-000	1	Decal Set
15209-100	1	Decal Set French
63941-001	3	Hot Surface Decal
63941-003	1	Battery Compartment Decal
63941-004	1	Fuse Warning Decal
97813-000	2	Auto Start Warning Decal
15849-000	1	CSA Standby Decal
64891-001	1	Electrical Code Decal
15210-010	1	UL Fuel System Decal
15209-004	1	Aluminum Inlet Decal

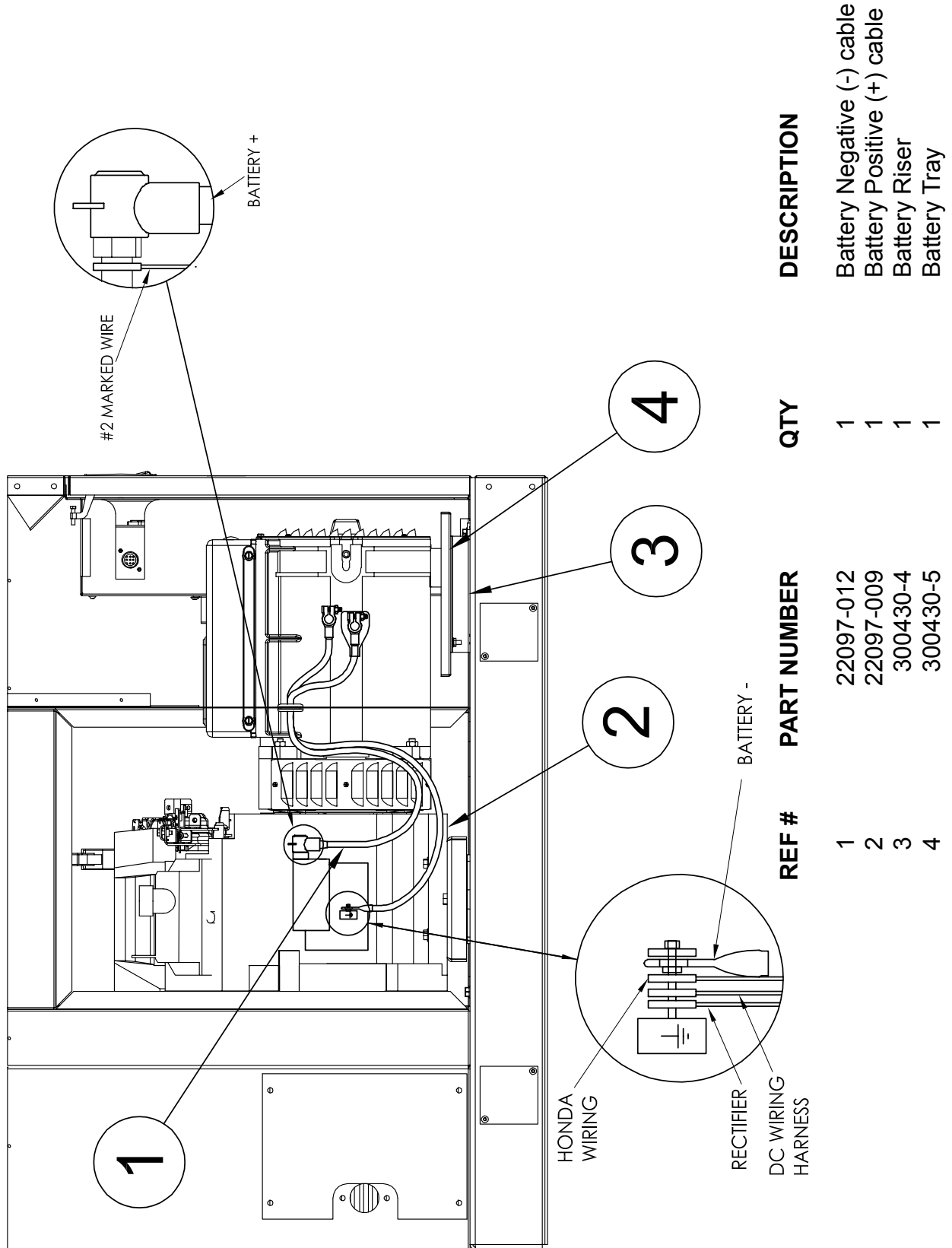
REF #	PART NUMBER	QTY	DESCRIPTION
1	16422-005S	1	Roof
2	16414-009S	1	Access Cover
3	16414-007S	1	Front
4	16360-032S	1	Rear Door
5	15671-011S	1	Back Bottom
6	16473-007S	1	Engine Air Partition
7	16473-008	1	Front Divider
8	16417-005S	1	Right Generator Partition
9	16464-005S	1	Back Right Corner
10	95229-005	3	Door Latch
11	16416-005S	1	Left Generator Partition
12	16360-033S	2	Side Service Panel (door)
13	16464-005S	1	Back Left Corner
14	15681-024S	1	Rear Sill
15	16464-006S	1	Back Left Corner
16	15681-022S	2	Side Sill
17	16414-008S	1	Regulator Access
NI	23917-000	3	Grommet
NI	62486-000	2	Grommet
NI	21698-001	26	Torx Screw
NI	15287-001	2	Air Seal 15.5"
NI	15287-018	1	Air Seal 8.25"
NI	Not Illustrated		

FOAM PIECES



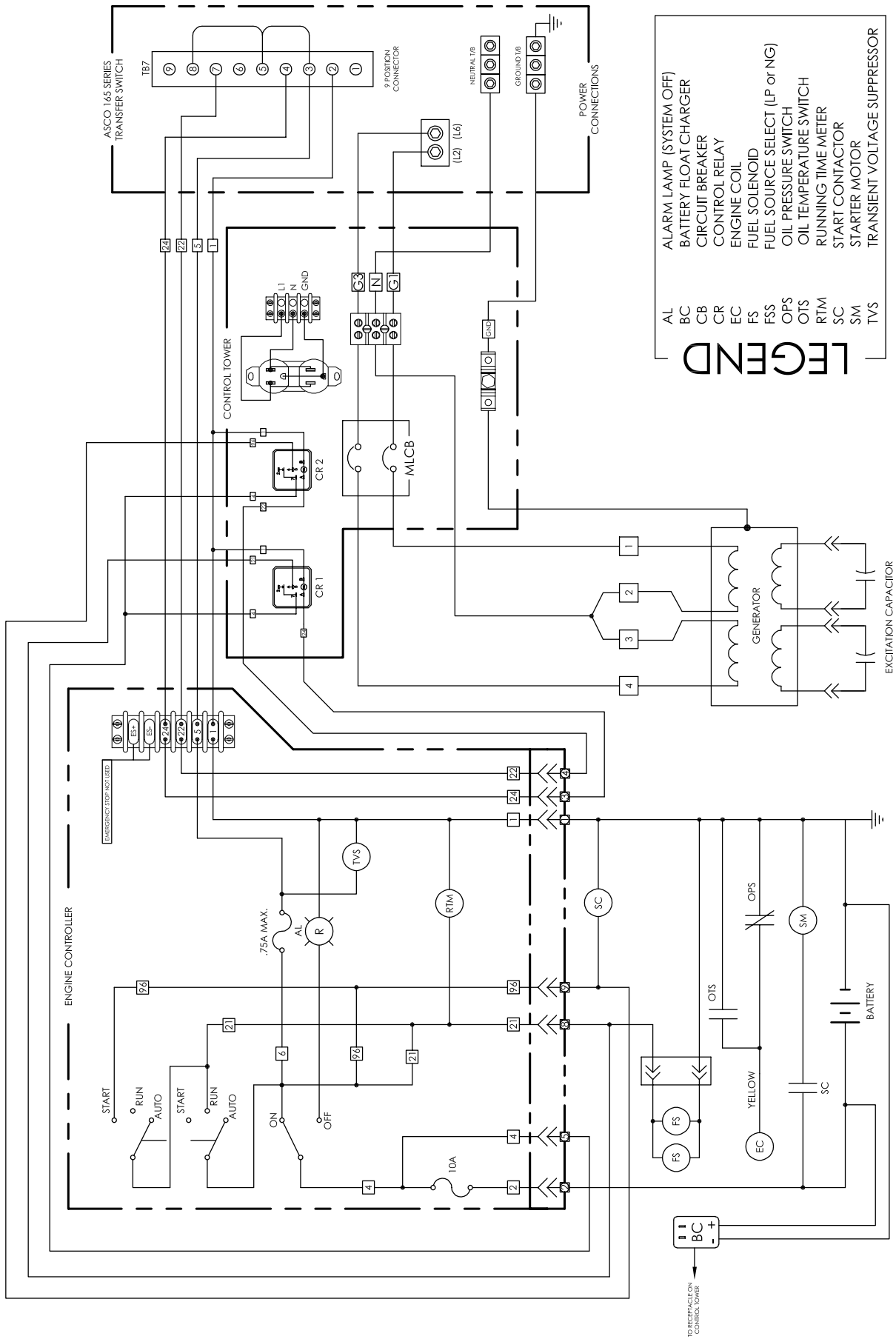
REF #	PART NUMBER	QTY	DESCRIPTION
1	16485-040S	1	Front Divider Foam
2	16485-045S	2	Corner Foam
3	16485-039S	2	Service Panel Foam
4	16485-044S	1	Generator Partition Foam
5	16485-043S	1	Right Divider Foam
6	16485-046S	1	Rear Door Foam
7	16485-042S	1	Left Divider Foam
8	16485-041S	2	Side Sill Foam
NI	16485-047S	1	Roof Foam
NI	97291-003S	1	Reflective Roof Foam
NI	97291-007S	1	Side Panel Reflective Foam
NI	97291-001S	1	Air Partition Reflective Foam
NI	97291-002S	1	Engine Divider Reflective Foam
NI	Not Illustrated		

BATTERY ASSEMBLY



REF #	PART NUMBER	QTY	DESCRIPTION
1	22097-012	1	Battery Negative (-) cable
2	22097-009	1	Battery Positive (+) cable
3	300430-4	1	Battery Riser
4	300430-5	1	Battery Tray

4-WIRE START AC AND DC GENERATOR SCHEMATIC



LEGEND

AL	ALARM LAMP (SYSTEM OFF)
BC	BATTERY FLOAT CHARGER
CB	CIRCUIT BREAKER
CR	CONTROL RELAY
EC	ENGINE COIL
FS	FUEL SOLENOID
FSS	FUEL SOURCE SELECT (LP or NG)
OPS	OIL PRESSURE SWITCH
OTS	OIL TEMPERATURE SWITCH
RTM	RUNNING TIME METER
SC	START CONTACTOR
SM	START MOTOR
TVS	TRANSIENT VOLTAGE SUPPRESSOR

2-WIRE START AC AND DC GENERATOR SCHEMATIC

