



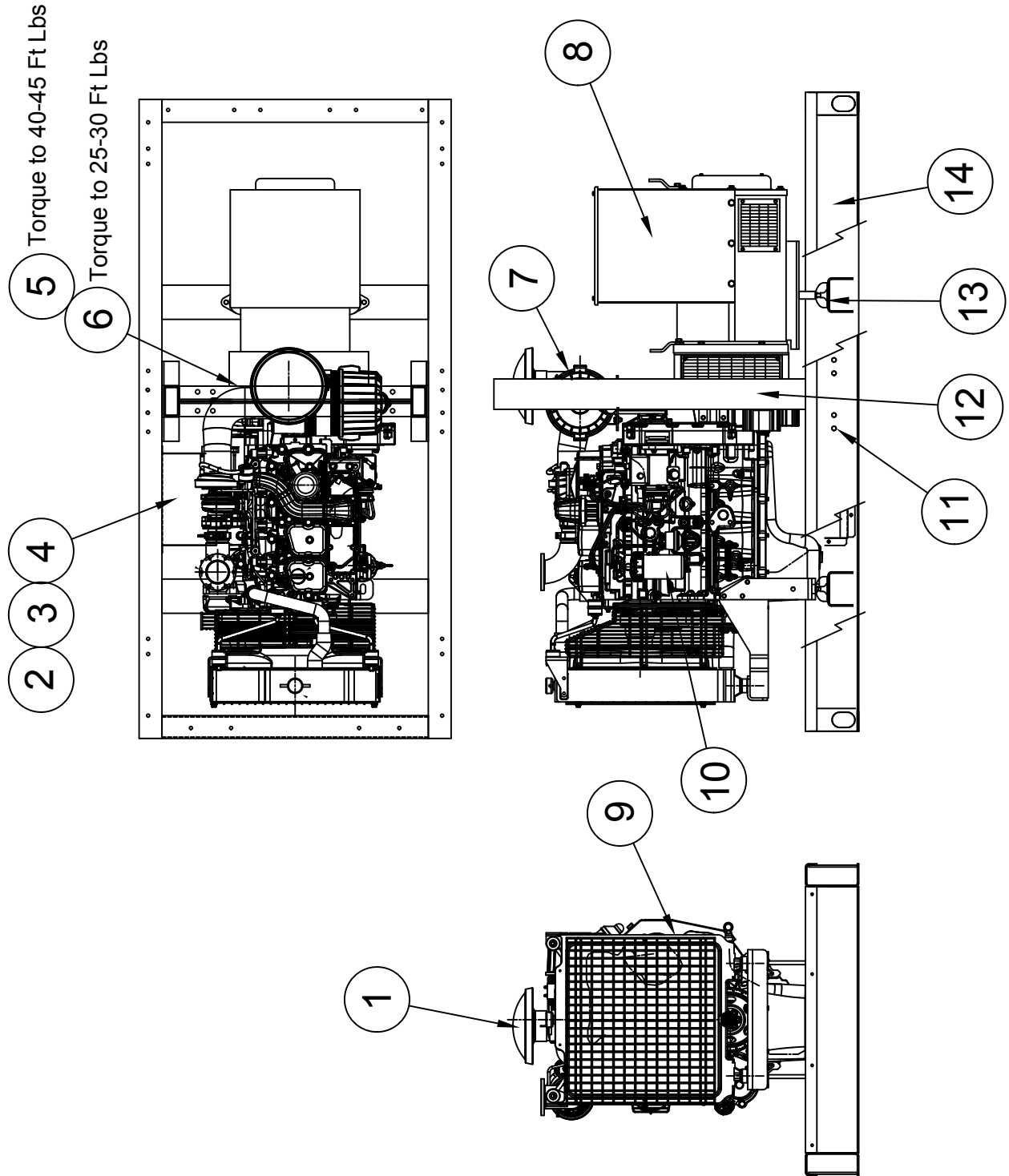
ILLUSTRATED PARTS LIST

RP80/B

WITH BASLER DGC-2020 ENGINE CONTROL

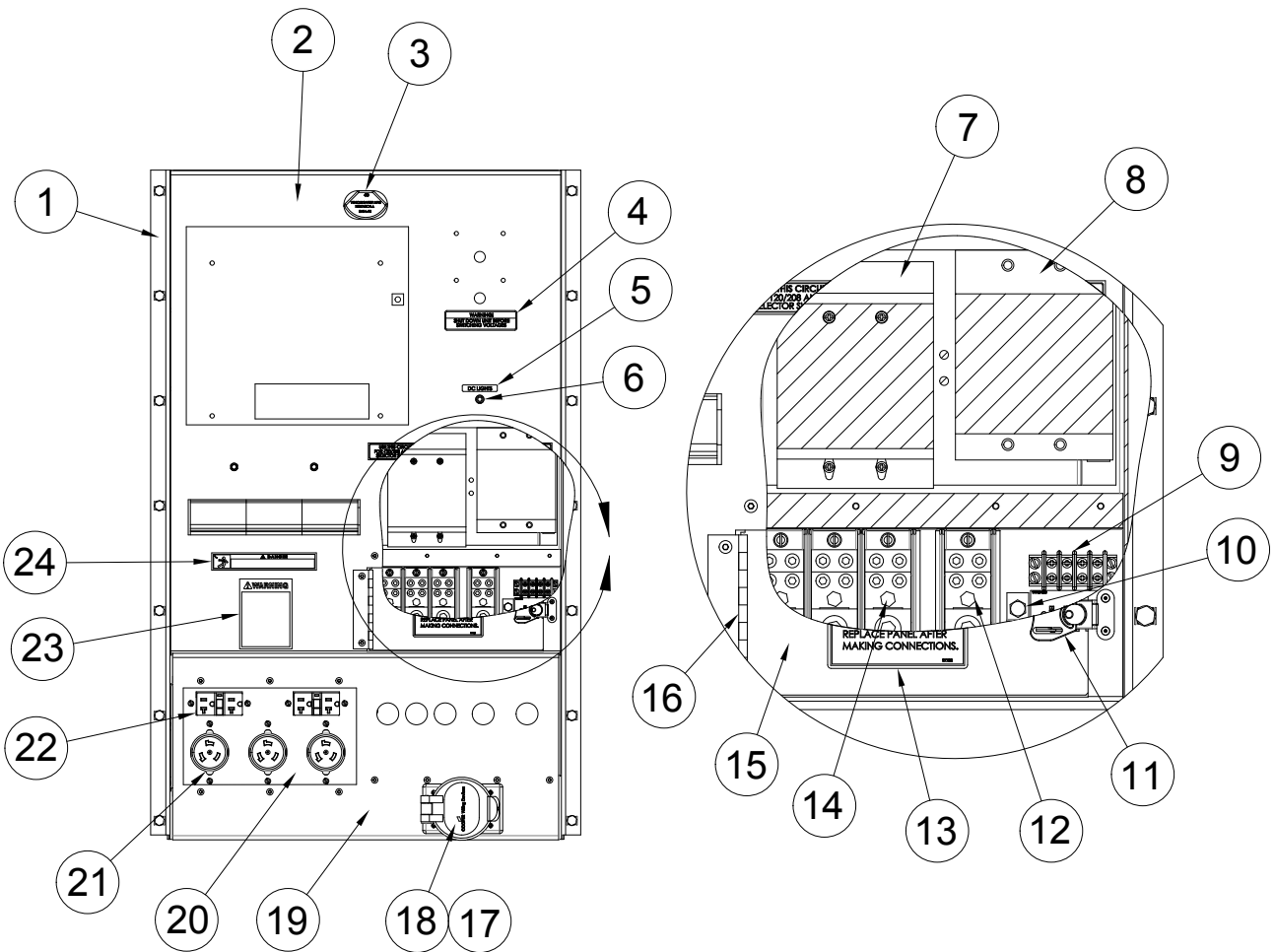
WINCO INC.
225 S. CORDOVA AVE.
LECENTER, MN 56057
507-357-6821
SERVICE DEPT.
507-357-6831
wincogen.com

ENGINE / GENERATOR ASSEMBLY



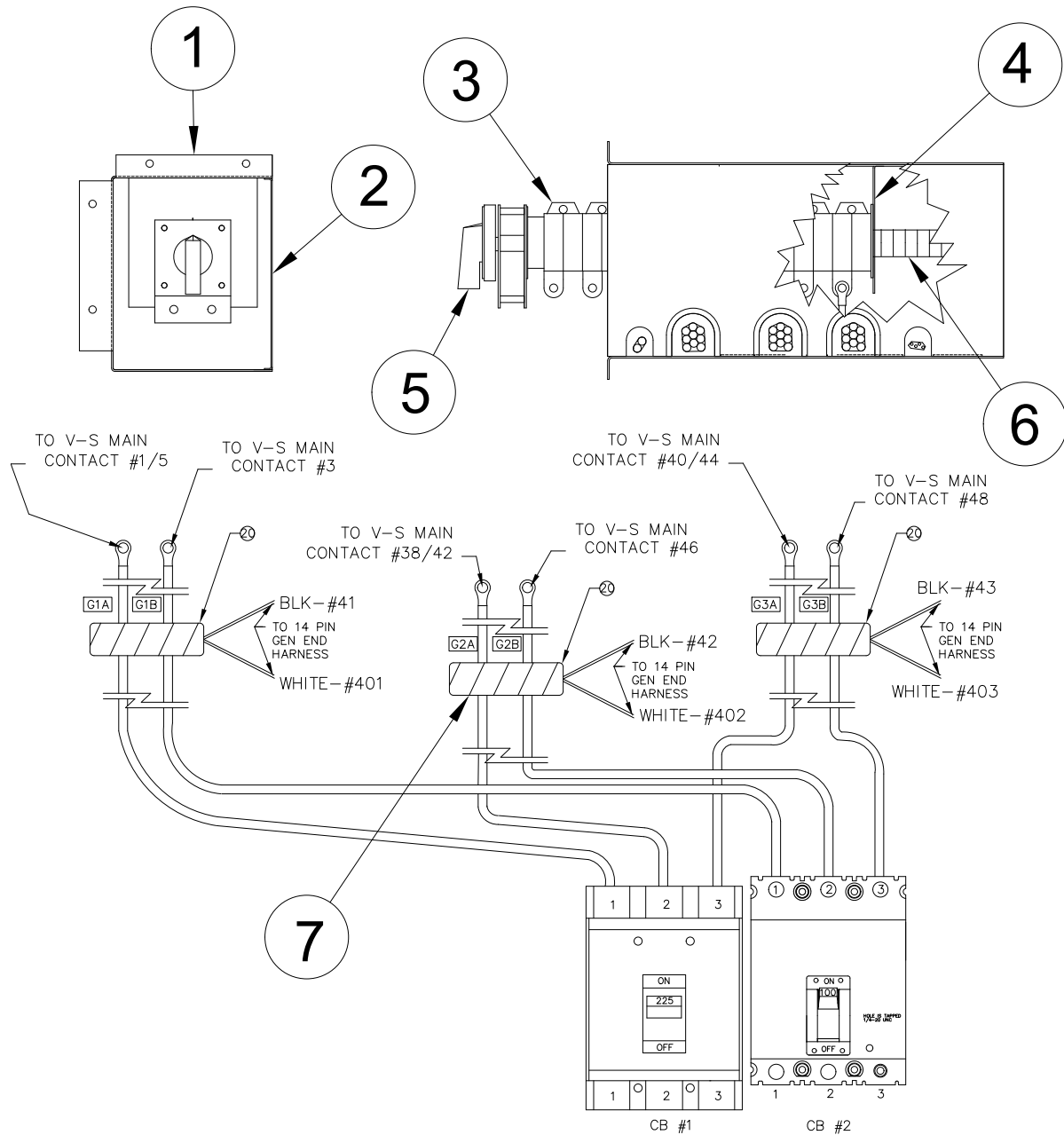
REF #	PART NUMBER	QTY	DESCRIPTION
1	350001-61	1	Engine, Fiat Powertrain Technologies Model: NEF45SM1X
2	350110-5	1	Battery Tray
3	96580-009	1	Positive (+) Battery Cable
4	96580-007	1	Negative (-) Battery Cable
5	96003-040	12	M10-1.5 X 40 Bolt (Bell Housing)
6	96003-025	8	M10-1.5 X 25 Bolt (Fly Wheel)
7	8031211	1*	Air Filter
7	8031565	1*	Secondary Air Filter Element
8	350003-704	1	Generator, Stamford Newage Model: UCI224F1L 12-Lead
9	92421-000	6.5 FT	1.5" Foam Strip
10	504107584	1*	Fuel Filter
11	93084-000	2	½" Pipe Plug
12	99163-005	1	Lifting Eye Weldment
13	98956-002	4	Shock Mount
14	99886-000	1	Base Weldment
NI	350720-3	2	Generator Mounting Spacer
NI	99288-004	1	Battery Hold Down Kit
NI	80980-000	1	Start Solenoid
NI	350740	1	Start Solenoid Mounting Bracket
NI	72036-015	1	Battery Charger/Tender 2 Amp
NI	80781-003	1	1000W 120VAC Block Heater
NI	300553	1	Coolant Recovery Tank Kit
NI	99267-003	1	Oil Pressure Sender
NI	99265-001	1	Water Temperature Sender
NI	351901-2	1	Engine Harness
NI	300349-1	1	Oil Drain Adapter
NI	98906-014	1	Oil Drain Valve
NI	92388-000	1	Hose Fitting
NI	56372-000	1	Hex Reducing Bushing
NI	98906-005	1	Block Heater Drain
NI	300349-005	1	Oil Sender Adapter
NI	93689-000	10 Ft	¾" Heater Hose
NI	81018-005	6	Hose Clamp
NI	15012-002	1	Flywheel Plug
NI	25388-000	1	1/8" NPT 90° Pipe Elbow
NI	92836-010	1	1/8" NPT X 6 Pipe Nipple
NI	2992242	1*	Oil Filter
NI	Not Illustrated		
*	FPT (Iveco) Part #		

CONTROL PANEL ASSEMBLY



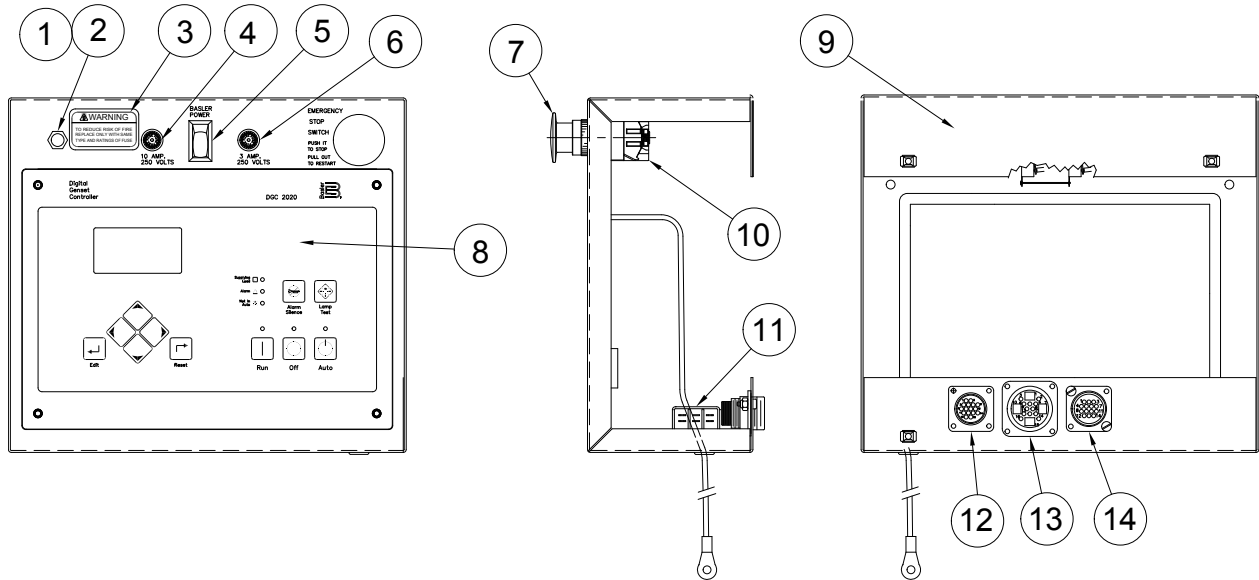
REF #	PART NUMBER	QTY	DESCRIPTION
1	99905-002	1	Control Box Rear Panel
2	99897-000	2	Panel Light
3	99904-002	1	Control Box Cover Panel
4	99949-000	1	Voltage Selector Warning Decal
5	99947-000	1	DC Lights Decal
6	71216-002	1	Toggle Switch
7	81096-006	1	225 Amp 3-Pole Circuit Breaker
8	81097-008	1	100 Amp 3-Pole Circuit Breaker
9	80623-008	1	4 Point Terminal Block
10	48043-000	1	Ground Lug
11	99559-000	1	Latch
12	97753-006	1	1-Pole Terminal Block
13	97738-000	1	Warning Decal
14	97753-007	1	3-Pole Terminal Block
15	99919-000	1	Terminal Block Safety Cover
16	99931-002	1	Hinge
17	99896-001	1	Reverse Plug Cover
18	99896-002	1	Reverse Plug NEMA 5-15
19	99907-002S	1	Terminal Box
20	99920-008S	1	Receptacle Box
21	91889-001	3	50 Amp 480 Volt Receptacle
22	15147-001	3	NEMA 5-20R GFCI Receptacle
23	97813-000	1	Auto Start Decal
24	15209-000	1	Decal Set
NI	91286-001	2	20 Amp 1-Pole Circuit Breaker
NI	99903-007S	1	Circuit Breaker Mount
NI	64551-005	1	Din Rail 9.5"
NI	71444-001	1	SPST Push Button Switch
NI	99922-000S	1	Basler Access Cover
NI	99930-000	1	Interlock Bar Spacer
NI	99929-002S	1	Interlock Bar
NI	99941-000	1	Control Panel Wiring Harness
NI	99903-006S	1	Main Circuit Breaker Mount
NI	99928-006S	1	Terminal Box Side Cover
NI	81097-054	3	Circuit Breaker Supplement
NI	Not Illustrated		

SWITCH ASSEMBLY



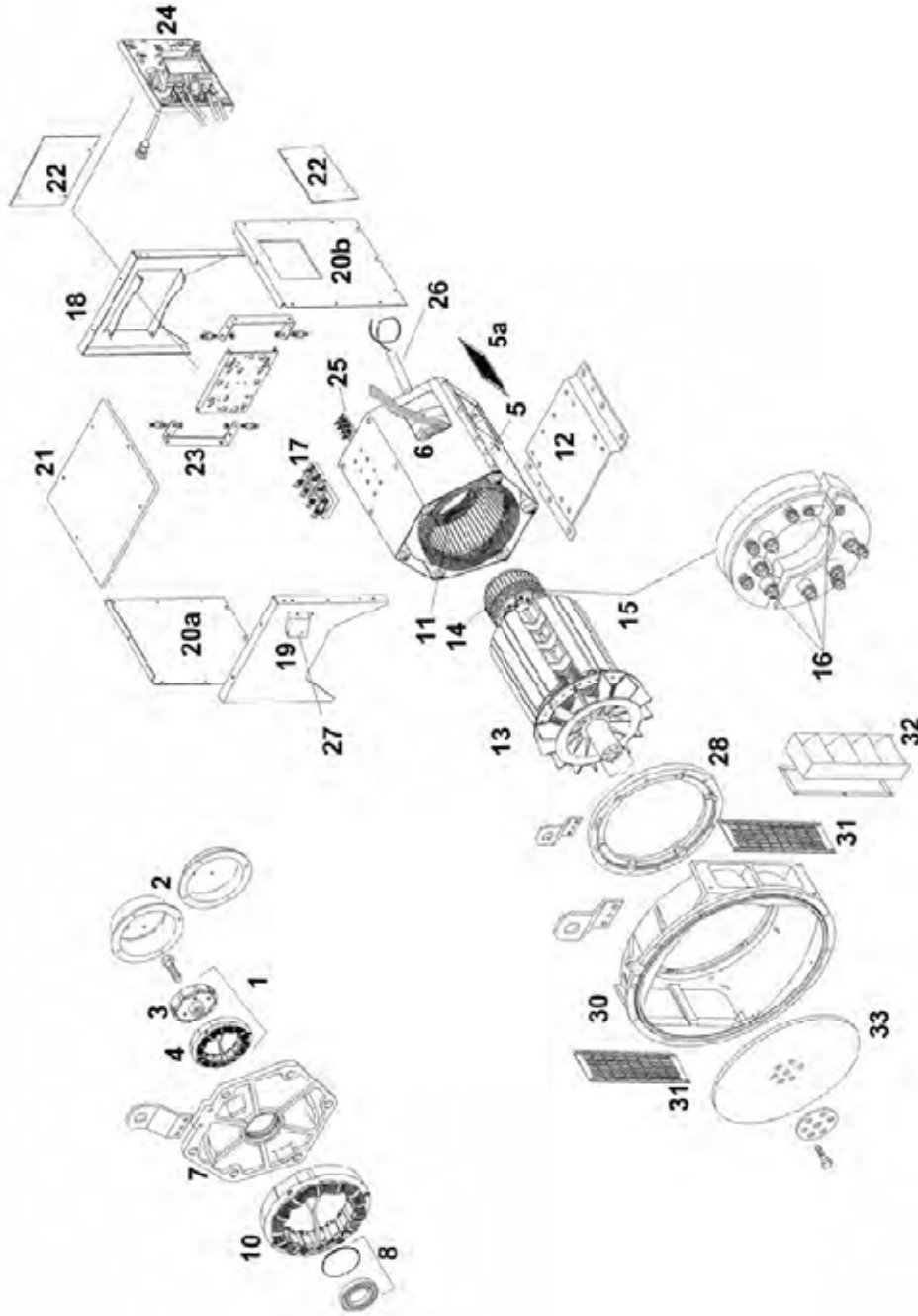
REF #	PART NUMBER	QTY	DESCRIPTION
1	99906-000	1	Voltage Selector Cover
2	99912-000S	1	Voltage Selector Bottom
3	99898-001	1	Voltage Selector Switch
4	99927-000	1	Voltage Selector Brace
5	Reference	1*	Handle
6	Reference	1*	Auxiliary Contact
7	80124-008	3	CT 500:5
*	Contact Winco		

ENGINE CONTROL PANEL ASSEMBLY



REF #	PART NUMBER	QTY	DESCRIPTION
1	94394-000	1	Knob
2	97517-001	1	Rheostat
3	63941-004	1	Warning Decal
4	95064-006	1	10 Amp Fuse
5	64089-000	1	Rocker Switch
6	95064-000	1	3 Amp Fuse
7	99783-001	1	E-Stop Push Pull Switch
8	351855-1	1	Basler DGC-2020 Control
9	99937-001	1	Control Box
10	99783-002	1	E-Stop Contact Block
11	59944-002	1	SPDT Relay, 12VDC, 10 Amp
12	96925-006	1	16 Pin Connector
13	96925-003	1	16 Pin Connector
14	96925-002	1	14 Pin Connector
NI	45853-000	1	Grommet
NI	300542	1	Lithium Coin Type Battery
NI	92495-000	4	1/4-20 Retained Square Nut
NI	2489-001	2	Fuse Holder
NI	Not Illustrated		

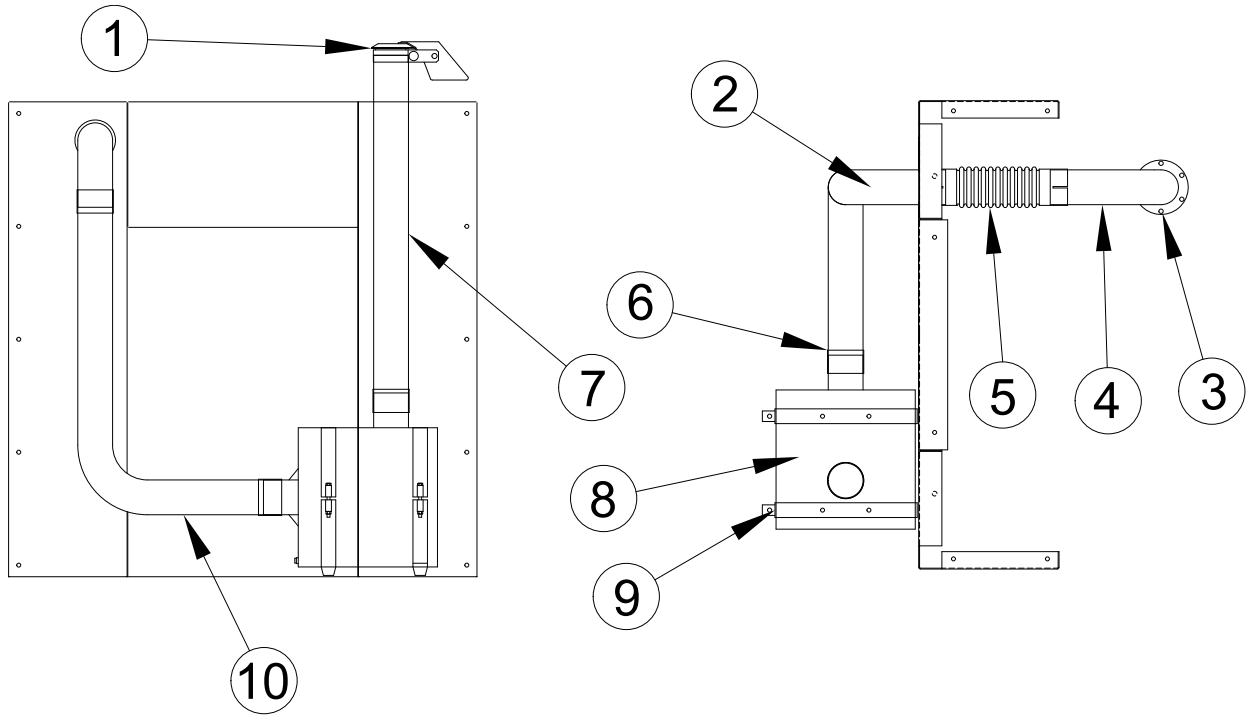
GEN-END ASSEMBLY



REF #	PART NUMBER	QTY	DESCRIPTION
Ref.	350003-704	1	Complete Generator End
Ref.	350818	1	Voltage Regulator SX460
	or		
Ref.	350818-2	1	Voltage Regulator AS440 UL

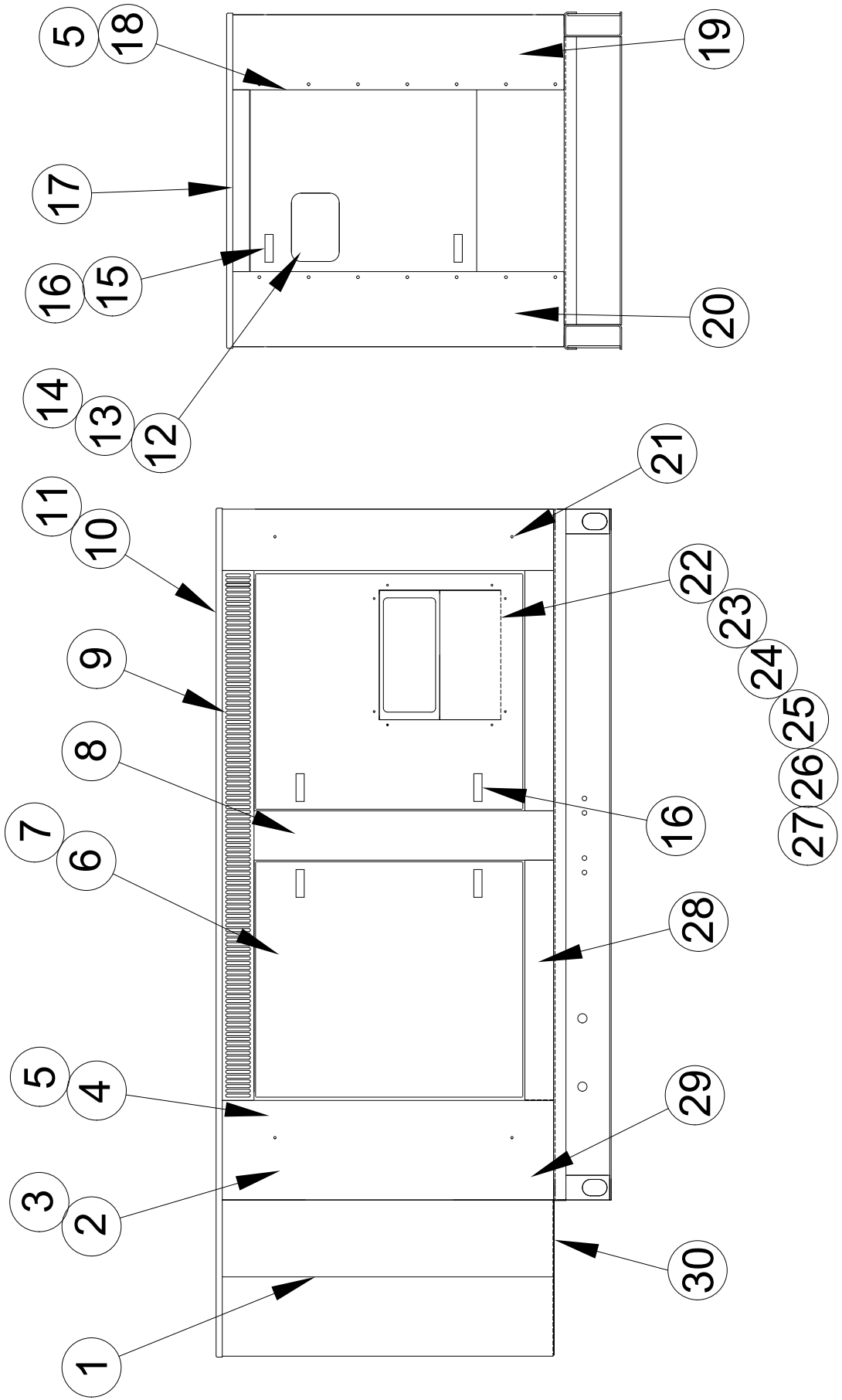
For a complete operators manual and parts list contact Stamford Newage:
<https://www.cumminsgeneratortechnologies.com/en/>

EXHAUST ASSEMBLY



REF #	PART NUMBER	QTY	DESCRIPTION
1	53111-008	1	3" Rain Cap
2	99885-003	1	90° Elbow
3	300541	1	Gasket
4	99885-004	1	Exhaust Outlet
5	16016-004	1	3" Flex Exhaust
6	93489-001	5	3" Muffler Clamp
7	99885-006	1	Tailpipe
8	99884-001	1	Muffler
9	93484-002	2	Mounting Bracket
10	99885-005	1	Elbow
NI	97274-000	11 FT	Exhaust Wrap
NI	Not Illustrated		

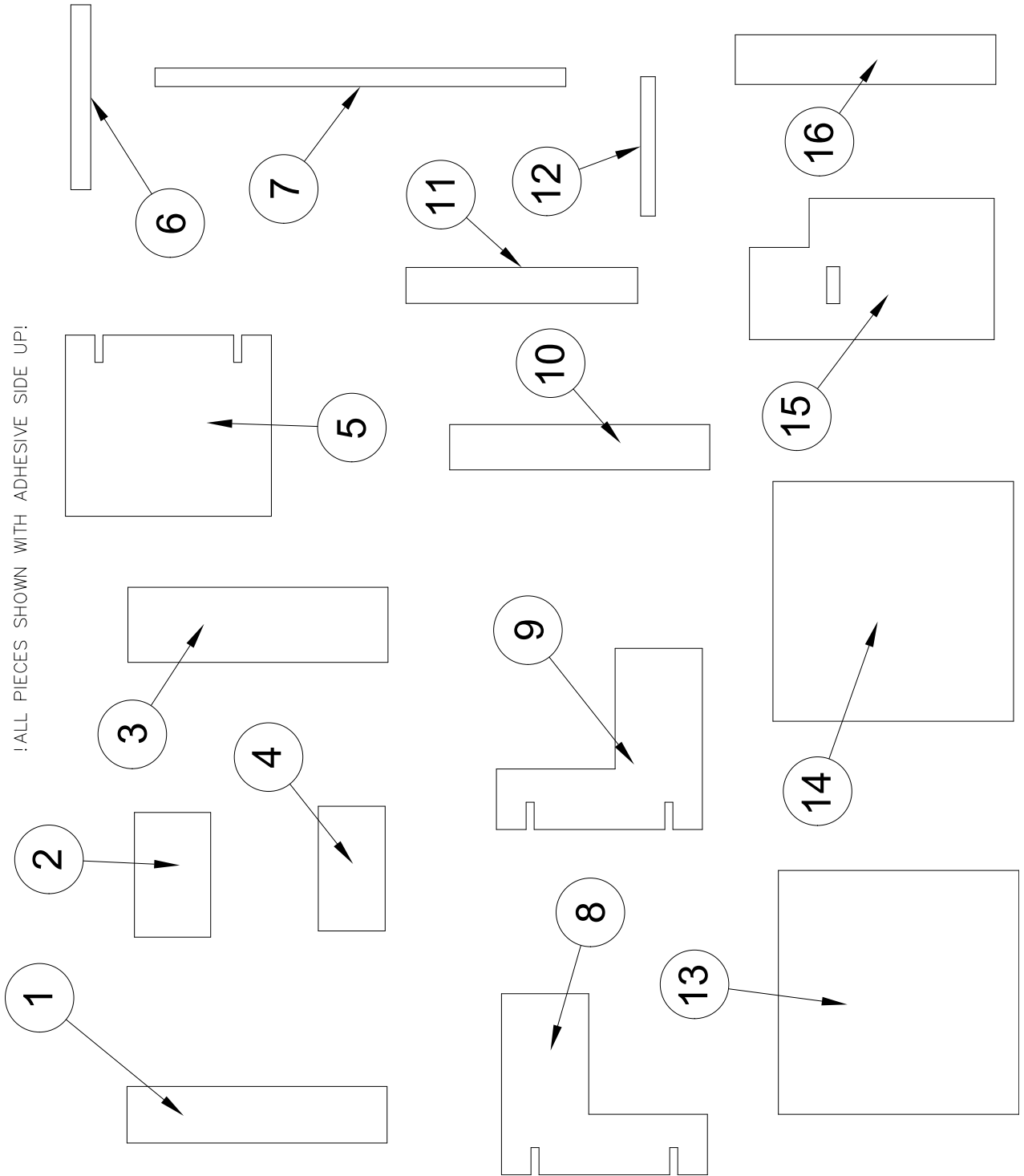
HOUSING ASSEMBLY



REF #	PART NUMBER	QTY	DESCRIPTION
1	99891-002	1	Front Extension
2	99888-003	1	Left Front Corner Post
3	99891-005	1	Radiator Top
4	99901-000	4	Door Hinge
5	62912-001	39.1 FT	.875" Wide Foam Strip
6	99892-000S	2	Front Door
7	99902-000	4	Door Stop
8	99890-000S	2	Middle Door Housing
9	99894-000S	1	Left Door Top
10	99900-002	1	Roof
11	99923-000S	1	Radiator Cap Access Panel
12	351556-1	1	Window Panel
13	351597-1	2.1 FT	Window Locking Strip
14	351597	2.1 FT	Window Weather Strip
15	99892-003S	1	Rear Door
16	95229-005	10	Door Latch
17	99889-001S	1	Top Rear Door
18	99901-001	1	Rear Hinge
19	99899-001	1	Right Rear Corner Post
20	99899-000	1	Left Rear Corner Post
21	15424-000	10	Rubber Foot
22	99892-001S	1	Left Rear Door
23	99895-000S	2	Side Baffle
24	99895-001S	2	Side Baffle
25	99895-002S	2	Rear Baffle
26	99909-000	2	Intake Screen
27	99910-000	2	Screen Holder
28	99889-000S	4	Bottom Door
29	99891-004	1	Radiator Bottom
30	99893-002	1	Snorkel Bottom
NI	99888-004	1	Right Front Corner Post
NI	99894-001S	1	Right Door Top
NI	99911-000	1	Foam Kit
NI	99892-002S	1	Right Rear Door
NI	99895-007S	2	Top Baffle
NI	99895-019S	1	Bottom Radiator Baffle
NI	99895-020S	2	Side Radiator Baffle
NI	99895-021S	1	Top Radiator Baffle
NI	Not Illustrated		

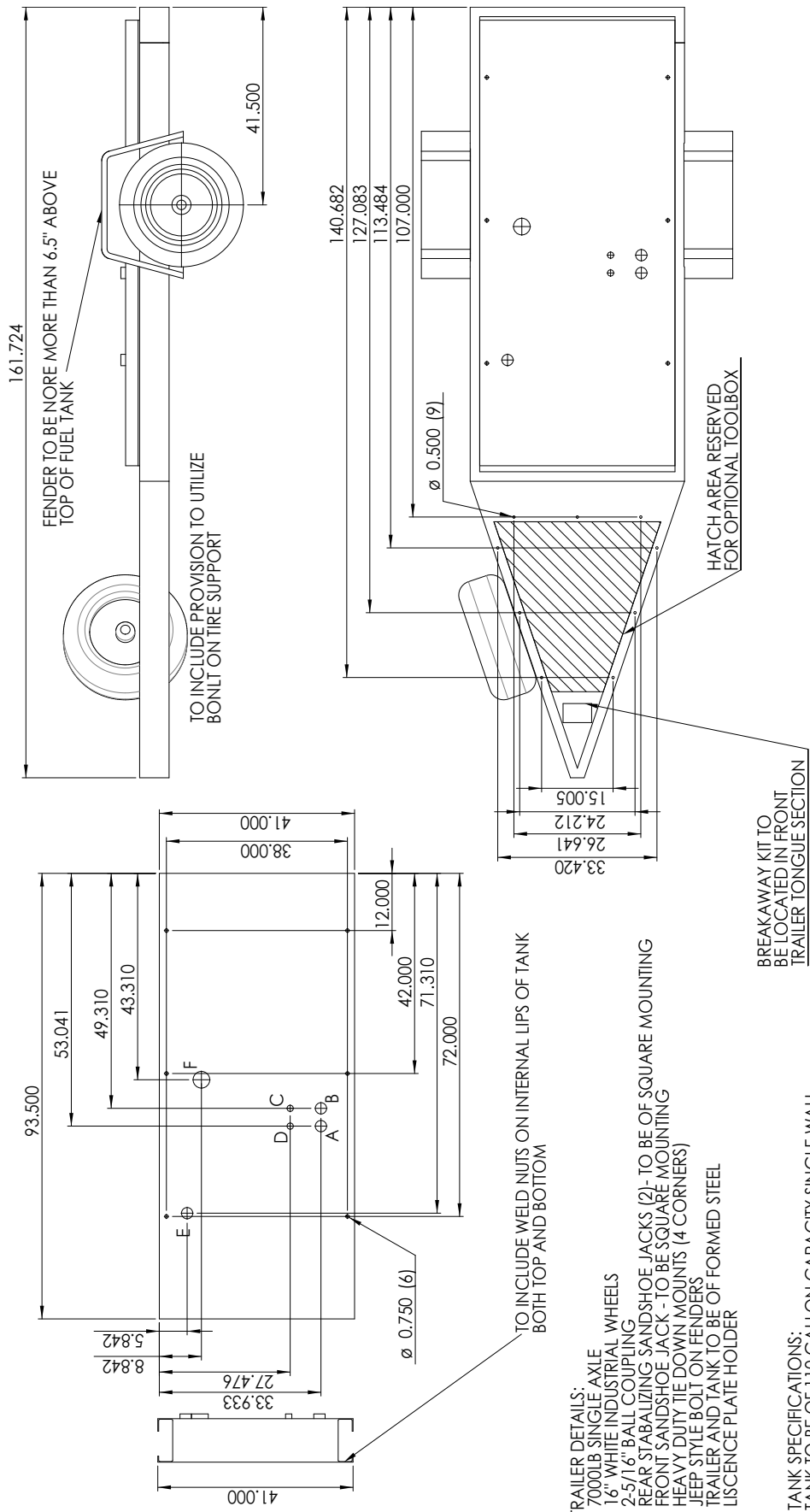
FOAM PARTS

!ALL PIECES SHOWN WITH ADHESIVE SIDE UP!



REF #	PART NUMBER	QTY	DESCRIPTION
1	99911-001S	2	Front Corner Post Foam
2	99911-002S	1	Radiator Bottom Foam
3	99911-004S	2	Front Side Foam
4	99911-003S	1	Radiator Top Foam
5	99911-005S	2	Front Door Foam
6	99911-009S	4	Bottom Door Foam
7	99911-008S	2	Top Door Sill Foam
8	99911-006S	1	Left Side Door Foam
9	99911-007S	1	Right Side Door Foam
10	99911-010S	2	Rear Side Foam
11	99911-011S	2	Mid. Door Foam
12	99911-017S	1	Top Rear Door Foam
13	99911-013S	1	Front Roof Foam
14	99911-014S	1	Rear Roof Foam
15	99911-015S	1	Rear Control Foam
16	99911-016S	2	Rear Corner Post Foam

TRAILER ASSEMBLY 99933-003



- TRAILER DETAILS:**
- 7000LB SINGLE AXLE
 - 16" WHITE INDUSTRIAL WHEELS
 - 2-5/16" BALL COUPLING
 - REAR STABILIZING SANDSHOE JACKS (2) - TO BE OF SQUARE MOUNTING
 - FRONT SANDSHOE JACK - TO BE SQUARE MOUNTING
 - HEAVY DUTY TIE DOWN MOUNTS (4 CORNERS)
 - JEEP STYLE BOLT ON FENDERS
 - TRAILER AND TANK TO BE OF FORMED STEEL
 - LICENCE PLATE HOLDER

- TANK SPECIFICATIONS:**
- TANK TO BE OF 110 GALLON CAPACITY SINGLE WALL
 - A: 2" NPT FOR FUEL LEVEL GAUGE W/ELECTRONIC SENDER
 - B: 2" NPT FOR FUEL FILL
 - C: 1" NPT X .50 NPT FOR FUEL SUPPLY W/ DIP TUBE
 - D: 1" NPT X .50 NPT FOR FUEL RETURN
 - E: 2" NPT NORMAL VENT
 - F: 3" NPT BUNG FOR OPTIONAL 3" E-VENT

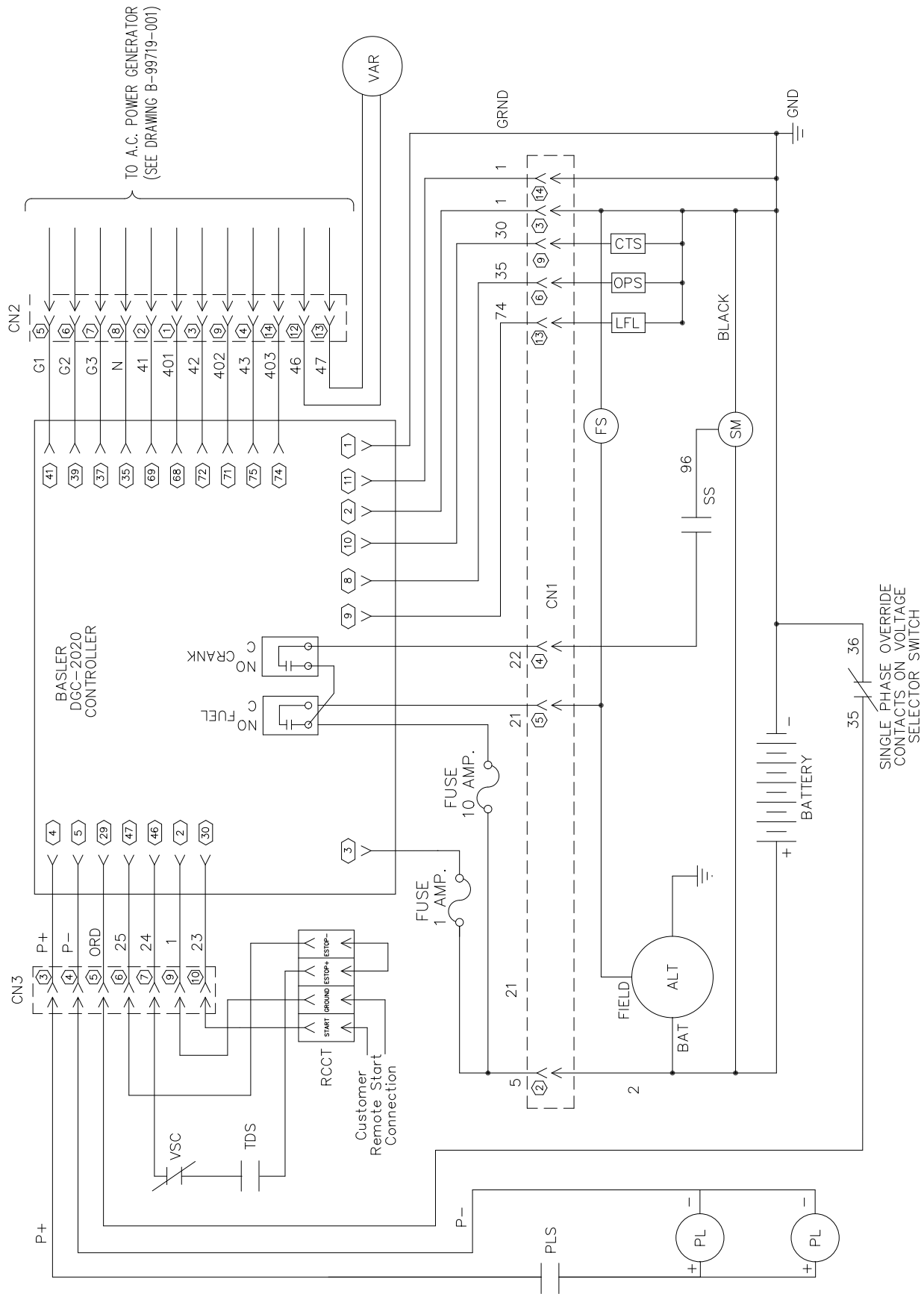
DC ELECTRICAL SCHEMATIC LEGEND

LEGEND

AFI	AIR FILTER INDICATOR
ALT	ALTERNATOR
CN1	16 PIN (LARGE CONNECTOR) ENGINE CONTROL HARNESS
CN2	14 PIN GENERATOR HARNESS
CN3	16 PIN (SMALL CONNECTOR) CONTROL PANEL HARNESS
CTS	COOLANT TEMPERATURE SENDER
ESS	EMERGENCY STOP SWITCH
FS	FUEL SOLENOID
GRD	GROUND (CHASSIS OR FRAME)
GP	ENGINE GLOW PLUGS
GPR	ENGINE GLOW PLUGS RELAY(50AMP)
LCL	LOW COOLANT LEVEL
LFL	LOW FUEL LEVEL
OPS	OIL PRESSURE SENDER
RCCT	REMOTE CUSTOMER CONNECTION TERMINALS
RR	RUN RELAY
SM	ENGINE STARTER MOTOR
SS	START SOLENOID
VAR	VOLTAGE ADJUSTMENT RHEOSTAT
PR	PILOT RELAY
PS	POWER SWITCH
IA	AUX INPUT A
IB	AUX INPUT B
IC	AUX INPUT C
ID	AUX INPUT D
IE	AUX INPUT E
OE	AUX OUTPUT E
OF	AUX OUTPUT F
OG	AUX OUTPUT G
ESS R	EMERGENCY STOP RELAY

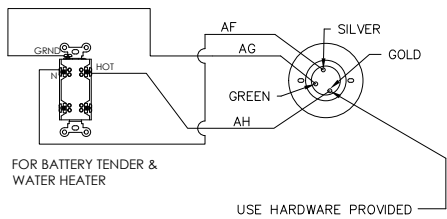
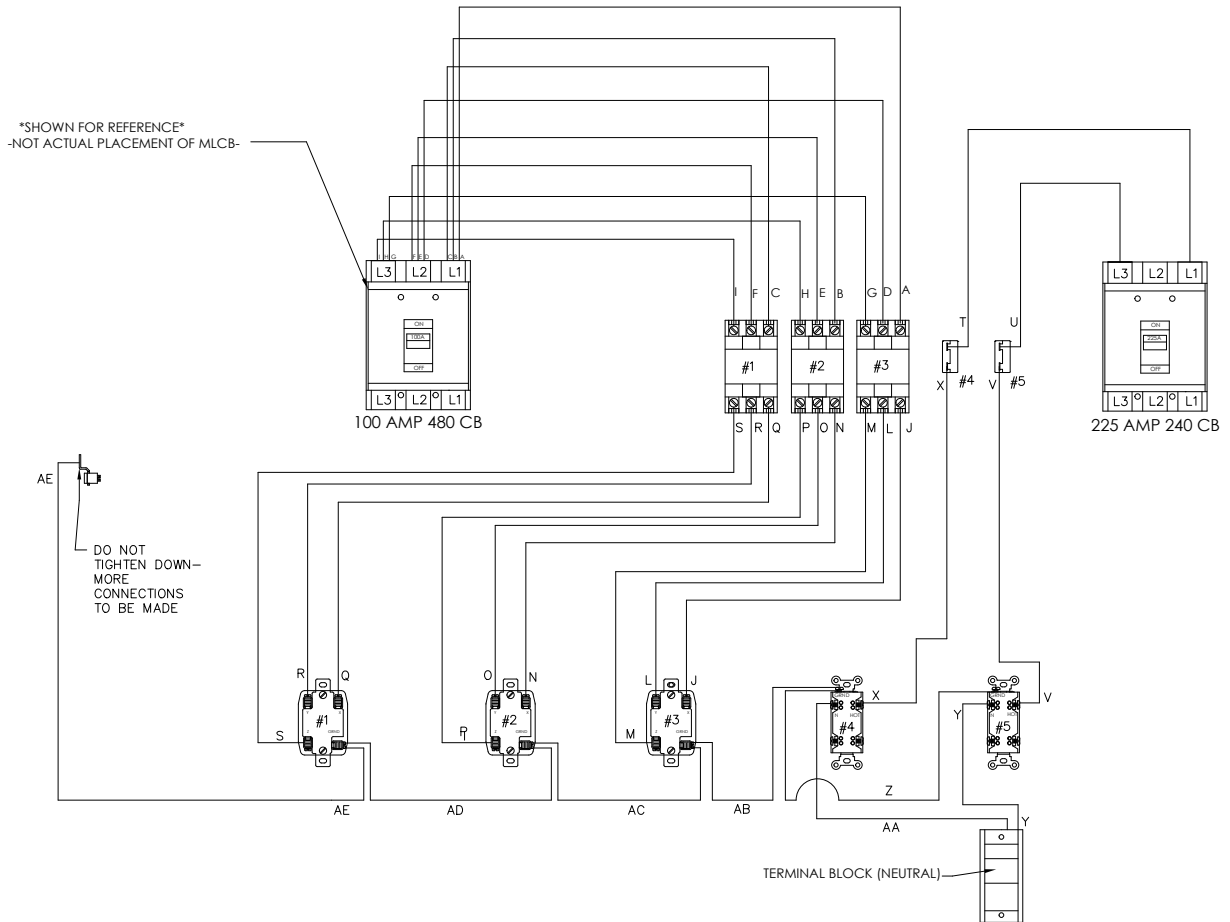
——— NORMALLY OPEN CONTACTS

DC ELECTRICAL SCHEMATIC

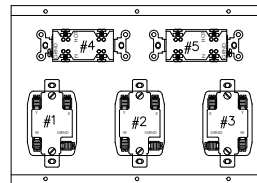


SINGLE PHASE OVERRIDE CONTACTS ON VOLTAGE SELECTOR SWITCH

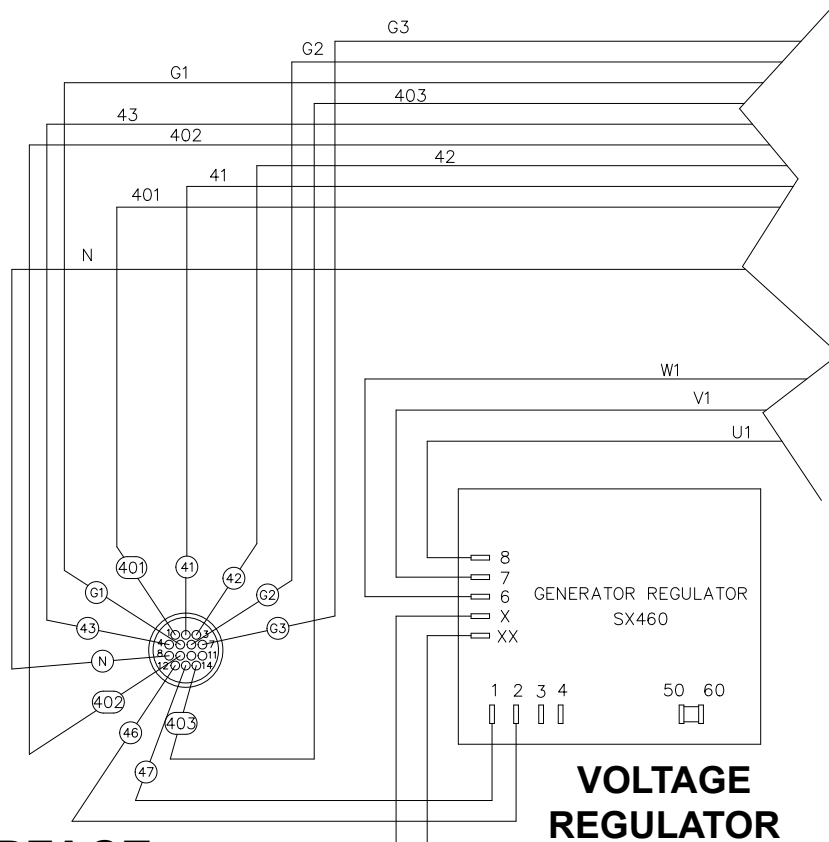
RECEPTACLE WIRING



SHOWN FROM BACK OF RECEPT BOX (FLAT SIDE UP)

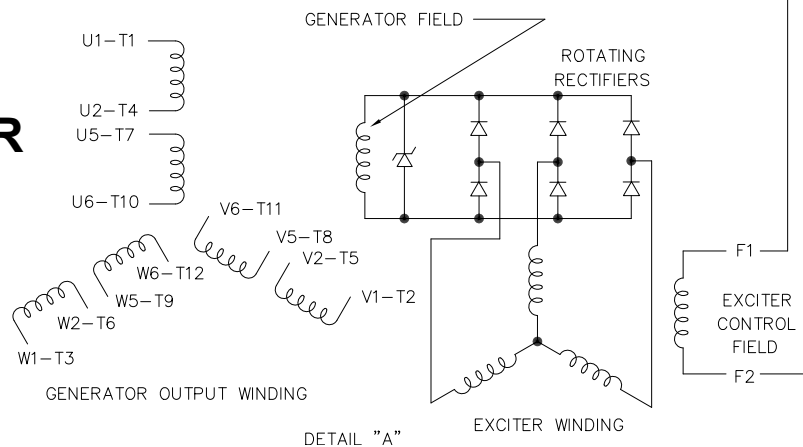


GENERATOR WIRING



**AC INTERFACE
CONNECTOR
TO DGC-2020**

GENERATOR WIRING DIAGRAM



DETAIL "A"

VOLTAGE SELECTOR SWITCH WIRING

