

150CDS-23RPT/A, MD190ST/A (98139-000)

SEQ		DESCRIPTION	PART #	QTY	SEQ
1	CAB	CONTROL CABINET ASSY COMP	97750-000	1	1
2	CAB	CONTROL CABINET	97650-000	1	2
3	CAB	CONTROL CABINET SIDE	98486-000	1	3
4	CAB	CONTROL CABINET BACK	98569-000	1	4
5	CAB	REAR SUPPORT, SWITCH	97651-000	1	5
6	CAB	TOP COVER, CONTROL CABINET	97652-000	1	6
7	CAB	COVER PLATE	97772-000	1	7
8	CAB	FRONT PANEL ASSY (WIRED)	97775-000	1	8
9	CAB	FRONT PANEL (BARE)	97640-000	1	9
10	CAX	SCHEMATIC LABEL	91649-028	1	10
11					11
12	CAM	CON. PAN. MOUNT LEG LF/RR	92129-001	2	12
13	CAM	CON. PAN. MOUNT LEG RF/LR	92129-002	2	13
14	CAM	REAR PANEL	97674-000	1	14
15	CAM	LEG-CONTROL PANEL -UPPER	97676-000	2	15
16					16
17	CAC	GROUND STRAP ASSY	95231-000	1	17
18	CAC	RECEPT NEMA 5-20R	50766-000	1	18
19	CAC	RECEPT NEMA L5-20R	56279-000	1	19
20	CAC	RECEPT NEMA L6-20R	56281-000	1	20
21	CAC	CIR.BRK.50A-2PL-240V	57030-000	1	21
22	CAC	CIR.BRK.20A-2PL-240V	57030-001	1	22
23	CAC	CIR.BRK.3A-2PL-240V <i>FEB</i>	81762-003	1	23
24	CAC	CIR.BRK.20A-1PL (PSH BTN)	91286-001	3	24
25	CAC	RECEPT 125/250V 50A	91889-000	1	25
26	CAC	CIR.BRK.15A 2PL <i>DEC B</i>	94387-702	1	26
27	CAC	PWR SELECTOR SWITCH 315A	97763-000	1	27
28					28
29	CAV	VOLT.REG.PREWIRING	95690-003	1	29
30	CAV	KNOB, AVR ADJ.	94394-000	1	30
31	CAV	VOLTMETER AC 0-600V	95742-000	1	31
32	CAV	POTENTIOMETER, AVR ADJ.	97517-002	1	32
33	CAV	VOLT REG APR125-5X	97516-002	1	33
34					34
35	CCB	LWR TERM. COVER PLATE	97672-000	1	35
36	CCB	TERMINAL BLOCK - 4PT REM	22148-000	1	36
37	CCB	MARKER STRIP - '4321'	45801-007	1	37
38	CCB	GROUND LUG	48043-000	1	38
39	CCB	CIR.BRK.225A-3PL-480	81097-014	1	39
40	CCB	CIR.BRK.450A-3PL-600 (240)	97973-001	1	40
41	CCB	HASP	95585-001	1	41
42	CCB	INTERLOCK BAR	95586-002	1	42
43	CCB	C.B. MOUNTING PLATE	97675-000	1	43
44	CCB	TERM BLOCK 1 POLE 350MCM	97753-001	1	44
45	CCB	TERM BLOCK 3 POLE 350MCM	97753-003	1	45
46	CCB	CIR.BRKR.COVER PLATE	98179-000	1	46
47	CCX	WIRING DIAG/TERM ASY	95684-002	1	47

150CDS-23RPT/A, MD190ST/A (98139-000)

SEQ	DESCRIPTION	PART #	QTY	SEQ
48				48
49	CDC DC WIRING&HARN.TERM	97774-000	1	49
50	CDC RELAY 120 VAC SPDT	59944-001	1	50
51	CDC WIRE HARNESS-C.CAB	95699-001	1	51
52	CDC ELAP.TIME MTR.4-40DC	58166-006	1	52
53	CDC CIR.BKR. 15A 1PL (DCCB)	94387-002	1	53
54	CDC RUN/REM SW-DPDT X-O-X (S1)	94388-401	1	54
55	CDC P. LT SWITCH-SPST O-X (S3)	94388-402	1	55
56	CDC L.TEST SW-SPST O-(X) (S4)	94388-404	1	56
57	CDC VOLTMETER DC 8-16 (VM2)	94395-000	1	57
58	CDC OIL PRESURE GAUGE (OPG)	94396-000	1	58
59	CDC COOLANT TEMP GAUGE (CTG)	94397-000	1	59
60	CDC LAMP SOCKET	94982-000	4	60
61	CDC LAMP 14V	94983-000	8	61
62	CDC LENS-OVERSPEED	94984-001	1	62
63	CDC LENS-LOW OIL PRESS	94984-002	1	63
64	CDC LENS-OVERCRANK	94984-004	1	64
65	CDC LENS-HIGH COOL TEMP	94984-007	1	65
66	CDC LAMP HOLDER	94987-000	1	66
67	CDC LAMP 14V	94988-000	1	67
68	CDC FUEL GAUGE (FG)	95648-000	1	68
69				69
70	CEC ENGINE CONT PREWIRE	95689-001	1	70
71	CEC ENG.CONTROL MODULE (ECM)	72190-411	1	71
72	CEC FUSE .75 AMP ACG-3	95064-002	1	72
73				73
74				74
75	DEC DECAL ASSY	98311-000	1	75
76	DEC HIGH VOLTAGE STICKER	91498-000	1	76
77	DEC DECAL-OPERATING INST	97338-001	1	77
78	DEC DECAL-MAINTENANCE	97344-001	1	78
79	DEC DECAL-WARNING	97738-000	1	79
80	DEC DECAL-CONNECT.DIAG.	97796-000	1	80
81	DEC DECAL,WARN-AUTO STAR	97813-000	8	81
82	DEC DECAL-WARNING	97830-000	2	82
83	DEC DECAL-LOGO 8IN	98314-000	2	83
84	DEC DECAL-MD190ST	98413-008	2	84
85	DEC DECAL,STRIPPING 8IN	98445-000	25	85
86				86
87				87
88	EAA ENG-CUMMINS 6CTA8.3	97963-000	1	88
89	EAA GUARD WELDMENT	97793-000	1	89
90	EAA SHOCKMOUNT	92327-002	6	90
91	EAM ENGINE MTG FOOT WELD, LH	98030-001	1	91
92	EAM ENGINE MTG FOOT WELD, RH	98030-002	1	92
93	EAX SCHEMATIC, ENG.CONNNECT.	95705-004	1	93
94				94

150CDS-23RPT/A, MD190ST/A (98139-000)

SEQ		DESCRIPTION	PART #	QTY	SEQ
95	EAC	RESTRICTION GAUGE	97279-000	1	95
96	EAC	AIR CLEANER ASSY	98151-000	1	96
97	EAC	AIR CLEANER TUBE	95150-000	1	97
98	EAC	STRAIGHT HUMP 4X5.25	96213-003	1	98
99	EAC	AIR FILTER DRY	97275-006	1	99
100	EAC	MOUNTING BANDS	97276-013	2	100
101	EAC	AIR INLET HOOD	97277-018	1	101
102	EAC	EL-90D MOLDED 4ID	97278-006	1	102
103	EAC	MOUNTING BRACKET-PAINTED	93484-002	3	103
104	EAC	SPACER TUBE	98080-000	3	104
105	EAC	STRAP CLAMP 4	98273-001	2	105
106					106
107	EBA	HARDWARE-BAT.HOLD	75112-000	2	107
108	EBA	BATTERY 12V 155A	80765-002	1	108
109	EBA	BAT.CABL.AS 2/0GA (+) 29"	96580-006	1	109
110	EBA	BAT.CABL.AS 2/0GA (-) 18"	96580-007	1	110
111	EBA	BATT HOLD DOWN (MODIFIED)	97961-000	1	111
112	EBA	BATTERY TRAY	98171-000	1	112
113					113
114	EBH	PRESSURE SWITCH	71792-001	1	114
115	EBH	ENG.BLOCK HTR.MOD.	93048-005	1	115
116	EBH	PRE HTR.1250W/115V	80781-008	1	116
117	EBX	DECAL-BLK.HTR.VOLTG.	94913-001	1	117
118					118
119	EEF	FUEL SOLENOID	95864-003	1	119
120	EEF	BRACKET, F. SOL MTG	98385-000	1	120
121	EEF	FUEL TANK-127 GAL W/SENDER	97987-000	1	121
122	EEF	FUEL TANK-127 GAL	97987-001	2	122
123	EEF	FUEL TANK MTG ANGLE	98073-000	9	123
124					124
125	EES	ETHER START KIT INST	96129-002	1	125
126	EES	KBI ETHER CANISTER	95660-002	1	126
127	EES	CYLINDER CLAMP	96124-002	1	127
128	EES	NYLON TUBING	96124-004	1	128
129	EES	KBI BLOCKOR FITTING	96124-006	1	129
130	EES	KBI COUPLING DIRT ELIMIN	96124-007	1	130
131	EES	KBI INJECTOR ORIFICE	96124-008	1	131
132	EES	ENGINE TEMP SW MODIFIED	96127-000	1	132
133	EES	ENGINE TEMP SWITCH	96124-003	1	133
134	EES	VALVE ASSY (MOD PER 96128)	96124-001	1	134
135					135
136	EEX	DECAL, INFORMATIONAL	96124-009	1	136
137	EEX	DECAL, WARNING	96124-010	1	137
138	EEX	HIGH TEMP WOVEN TAPE	97274-000	50	138
139	EEX	IND.MUFFLER-PAINTED	97401-005	1	139
140	EEX	GUILLOTINE CLAMP 4OD	97556-002	3	140
141	EEX	EXH.FLANGE GASKET	97986-001	2	141

150CDS-23RPT/A, MD190ST/A (98139-000)

SEQ		DESCRIPTION	PART #	QTY	SEQ
142	EEX	HEAT DEFLECTOR	98081-000	1	142
143	EEX	EXHAUST PIPE WELD	98196-000	1	143
144	EEX	EXHAUST ELBOW 90D	98277-001	1	144
145	EEX	EXHAUST RAIN SHIELD	98282-001	1	145
146	EEX	FLEX EXHAUST 4ID	98347-000	1	146
147	EEX	SS FLEX TUBING 4ID	97984-001	1	147
148	EEX	EXHAUST FLANGE WELD	98348-000	1	148
149	EEX	TUBING-ALUM 23-7/8	98349-001	1	149
150	EEX	EXHAUST ELBOW ALTER.	98350-000	1	150
151					151
152	EFT	SHUT-OFF COCK 1/2NPT	95654-000	2	152
153	EFT	FILTER VENT, FUEL TANK	98359-000	3	153
154					154
155	EOD	OIL DRAIN ADAPTER	93079-002	1	155
156	EOD	SHUT-OFF COCK 1/2NPT	95654-000	1	156
157					157
158	ERA	PETCOCK VALVE	93824-003	1	158
159	ERA	RADIATOR	95167-001	1	159
160	ERA	RAD.HOSE 2.25IDX22	95168-001	2	160
161	ERA	SHOCKMOUNT	95169-000	10	161
162	ERA	LOWER RAD BARRIER	97677-000	1	162
163	ERA	UPPER RAD BARRIER	97678-000	1	163
164	ERA	RADIATOR SUPPORT RH	98074-000	1	164
165	ERA	RADIATOR SUPPORT LH	98075-000	1	165
166	ERA	PUSHER FAN-26IN.	95166-001	1	166
167	ERA	FAN SHROUD SPACER	98088-000	2	167
168	ERA	FAN SHROUD	98089-000	1	168
169	ERA	AIR CHAMBER PANEL	98166-000	1	169
170	ERA	FAN SHROUD	98354-000	1	170
171	ERA	FAN SPACER	98052-000	1	171
172					172
173	ESC	OIL PRESSURE SWITCH	72254-002	1	173
174	ESC	WATER TEMP SWITCH	72255-002	1	174
175	ESC	START SOLENOID 12VDC	80980-000	1	175
176					176
177	EWA	ENG.WIRE HARNESS ASY	97395-002	1	177
178	EWA	DIODE-RESISTOR ASSY	71898-003	1	178
179	EWA	RESISTOR 2W 180 OHM	58584-004	1	179
180	EWA	DIODE	71899-001	1	180
181	EWA	CONNECTOR, ALTERNATOR	96114-000	1	181
182					182
183					183
184	GEN	COVER, ROT RECT ASSY	91411-001	1	184
185	GEN	RETAINER ASSY COMP	91413-000	1	185
186	GEN	RETAINER ASSY	91412-000	1	186
187	GEN	RECTIFIER W/GLYPTOL	91452-000	2	187
188	GEN	SPACER #10-32 X 3/4	91454-001	3	188

150CDS-23RPT/A, MD190ST/A (98139-000)

SEQ		DESCRIPTION	PART #	QTY	SEQ
189	GEN	SUPPRESSOR ASSY	91473-000	1	189
190	GEN	SURGE SUPRESSOR	91455-000	1	190
191	GEN	KEY 7/8 X 1/4	91430-000	1	191
192	GEN	EXCITER ROTOR-WOUND	91442-001	1	192
193	GEN	EXCITER STATOR ASSY	91665-000	1	193
194	GEN	RETAINER BAR, EXCITER	93616-000	1	194
195	GEN	MACHINED END BRACKET	92760-000	1	195
196					196
197	GEN	DRIVE DISK-SP111	93505-000	3	197
198	GEN	COMPLETE ROTOR ASSY	92884-004	1	198
199	GEN	BEARING	92820-000	1	199
200					200
201	GEN	GROMMET CONTINUOUS	91843-003	1	201
202	GEN	COVER- (BELLY BAND)	92894-000	1	202
203	GEN	STA AS + BAR/RING AS	92916-004	1	203
204					204
205	GEN	TOP COVER	93146-001	1	205
206	GEN	WELDED BOX ASSY	93149-002	1	206
207	GEN	LWR GEN END COVER W/VENTS	98214-000	1	207
208					208
209					209
210	HSA	HOUSING ASSY	98254-000	1	210
211	HSG	DOOR JAMB RH	98076-000	1	211
212	HSG	DOOR JAMB LH	98077-000	1	212
213	HSG	SIDE PNL-AIR CHAMBER	98078-000	1	213
214	HSG	SIDE PNL-AIR CHAMBER	98079-000	1	214
215	HSG	RUBBER FOOT - DOOR STOP	61660-000	14	215
216	HSG	COVER, RAD FILL ACCESS	62026-000	1	216
217	HSG	NEOP. SEAL, ROOF SEAM	62493-003	5.	217
218	HSG	WEATHER STRIP, ROOF SEAM	94054-000	11	218
219	HSG	SILL, ABOVE SIDE DOORS	95263-001	6	219
220	HSG	HINGE - RIGHT SIDE	95719-001	8	220
221	HSG	HINGE W/PIN - RIGHT SIDE	95719-002	8	221
222	HSG	HINGE - LEFT SIDE	95719-003	6	222
223	HSG	HINGE W/PIN - LEFT SIDE	95719-004	6	223
224	HSG	WINDOW PANEL - REAR DOOR	96448-001	1	224
225	HSG	DOOR STRAP, SIDE DOORS	96902-002	12	225
226	HSG	DOOR STRAP, REAR DOOR	96902-003	2	226
227	HSG	ROOF SUPPORT ANGLE	97794-001	2	227
228	HSG	NEOPRENE STRIP, DOOR SEAL	97808-001	50	228
229	HSG	SIDE DOOR	98096-000	6	229
230	HSG	MULLION, LEFT SIDE	98097-000	2	230
231	HSG	MULLION, RIGHT SIDE	98097-001	2	231
232	HSG	REAR CORNER, LEFT SIDE	98149-000	1	232
233	HSG	REAR CORNER, RIGHT SIDE	98150-000	1	233
234	HSG	REAR DOOR, BARE	98152-000	1	234
235	HSG	HEADER-REAR DOOR	98153-000	1	235

150CDS-23RPT/A, MD190ST/A (98139-000)

SEQ		DESCRIPTION	PART #	QTY	SEQ
236	HSG	INSUL. BUSHING 2.5X2.812	92600-000	4	236
237	HSG	REAR SILL WELD	98156-000	1	237
238	HSG	DOOR, POWER CONNECTION	98157-000	1	238
239	HSG	ANGLE, AIR CHAMBER ROOF	98202-000	1	239
240	HSG	FOAM KIT	98260-000	1	240
241	HSG	FOAM, RAW	95706-000	0.	241
242	HSG	HOUSING KIT	98254-001	1	242
243	HSG	SILL-SIDE	98147-000	2	243
244	HSG	FRONT PANEL, HSG A.C.	98167-000	1	244
245	HSG	ROOF, AIR CHAMBER	98203-000	1	245
246	HSG	ROOF, GENERATOR END (REAR)	98204-000	1	246
247					247
248	HSL	LATCH <i>Flush - SIDE w/ LOCK</i>	95229-002	7	248
249	HSL	LATCH <i>F HAD C</i>	95229-002	1	249
250			<i>92413-0</i>		250
251	HSX	EMBLEM-TURBO	95980-001	1	251
252	HSX	EMBLEM-DIESEL	95980-002	1	252
253	HSX	DECAL-DIESEL FUEL	97381-000	3	253
254					254
255	HTA	BUMPER CRG BOLT 1/2-13X4	61603-004	4	255
256	HTA	LUNETTE EYE	95776-000	1	256
257	HTA	CHAIN-#10 ROUND BEAD X 5'	96004-000	1	257
258	HTA	BUMPER WELDMENT	98192-000	2	258
259	HTA	TRAILER ASSY	98252-000	1	259
260	HTA	RUBBER STRIP	62493-003	36	260
261	HTA	CHAIN HOOK	92061-000	2	261
262	HTA	TIRE-WHEEL ASSY	92477-002	4	262
263	HTA	JACK WELDMENT	97768-001	1	263
264	HTA	BRAKES-HYD. SURGE-RH	97970-001	2	264
265	HTA	BRAKES-HYD. SURGE-LH	97970-002	2	265
266	HTA	HUB DRUM	97971-000	4	266
267	HTA	DROP AXLE-6000 LB (98267)	97969-000	2	267
268	HTA	AXLE SHACKLE WELD	98036-000	2	268
269	HTA	BACKING PLATE	98045-000	2	269
270	HTA	HITCH WELD	98048-000	1	270
271	HTA	CHAIN 60 IN.	98038-001	2	271
272	HTA	ACTUATOR WELD	98051-000	1	272
273	HTA	FRAME WELD	98083-000	1	273
274	HTA	STOP & TURN LIGHT	95710-000	2	274
275	HTA	LICENSE LIGHT	95807-000	1	275
276	HTA	SEALED LAMP-AMBER	97339-001	2	276
277	HTA	SEALED LAMP-RED	97339-002	5	277
278	HTA	GROMMET MTG. KIT 2-1/2"	97341-000	7	278
279	HTA	GROMMET 11/16IDX1	98271-000	6	279
280	HTA	CHROME HUB CAP	98272-000	4	280
281	HTA	FENDER WELDMENT	98162-000	2	281
282					282

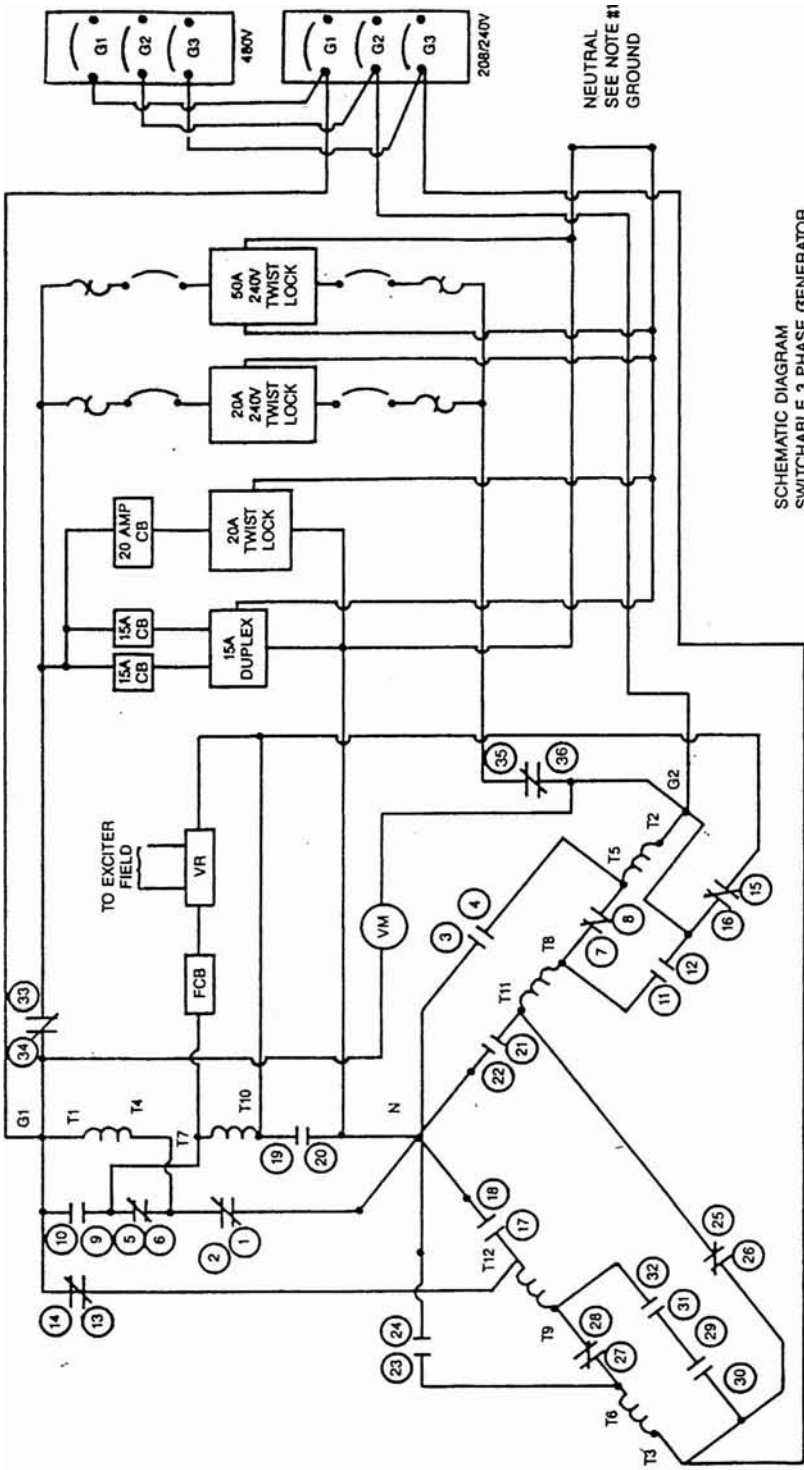
150CDS-23RPT/A, MD190ST/A (98139-000)

SEQ	DESCRIPTION	PART #	QTY	SEQ
283				283
284				284
285				285
286	XREF OP.MAN-MD100/125/190	60706-093	1	286
287	XREF RPL -MD190ST/A	60700-099	1	287
288	XREF ADAPTER PARTS INSTAL	93526-002	1	288
289	XREF BAR & RING ASSY MACH	92878-000	1	289
290	XREF BLOCK HEATER INSTAL	98257-000	1	290
291	XREF BRAKE LINE KIT INST	97766-001	1	291
292	XREF BRAKE LINE KIT-TANDOM	95821-001	1	292
293	XREF CERT ORIGIN-MD190ST	98372-006	1	293
294	XREF COMB. LAMP KIT-AMBER	97348-001	2	294
295	XREF COMB. LAMP KIT-RED	97348-002	5	295
296	XREF COMP GEN PARTS	97730-004	1	296
297	XREF CONTROL BOX ASSY	97741-001	1	297
298	XREF COOLING SYSTEM INST	98082-000	1	298
299	XREF C.B. MTG. PLATE ASSY	98256-000	1	299
300	XREF DROP AXLE ASY 6000LB	97992-000	2	300
301	XREF DROP AXLE MODIFIED	98267-001	2	301
302	XREF ENGINE ASSY-CUMMINS	98095-000	1	302
303	XREF ETHER INSTR BOOKLET	96124-011	1	303
304	XREF EXHAUST SYSTEM INST	98255-000	1	304
305	XREF FUEL LINE INSTALL	98270-000	1	305
306	XREF FUEL SOLENOID INST	98384-000	1	306
307	XREF GEN.PARTS - MD190	92917-004	1	307
308	XREF HINGE ASSY	95718-001	8	308
309	XREF HINGE ASSY	95718-002	6	309
310	XREF LIGHT KIT INSTALL	98258-000	1	310
311	XREF NAME PLATE BLANK	91713-000	1	311
312	XREF OIL DRAIN ASSY	98253-000	1	312
313	XREF SELECTOR SW PREWIRE	95664-001	1	313
314	XREF SILL ASSY-REAR DOOR	98159-000	1	314
315	XREF STATOR ASSY WOUND	92900-000	1	315
316	XREF VALVE ASSY MODIFICAT	96128-000	1	316

150CDS-23RPT/A, MD190ST/A (98139-000)

SEQ	DESCRIPTION	PART #	QTY	SEQ
-----	-------------	--------	-----	-----

UNIT MODEL SERIES	MD190ST (R)
AC RESIDUAL VOLTS-LO	35 VAC L-L
AC RESIDUAL VOLTS-HI	60 VAC L-L
12 VDC SEP. EX.-LO	200 VAC L-L
EXCITER FIELD RESIST.	25.5 OHMS
EXCITER ARM PER PHASE	0.46 OHMS
MAIN FIELD RESISTANCE	4.05 OHMS
MAIN STATOR PER COIL	0.022 OHMS
EXC.-WINDING SPEC (SS#)	1439
MAIN-WINDING SPEC (SS#)	1438
ARM CONNECTION (AC#)	350

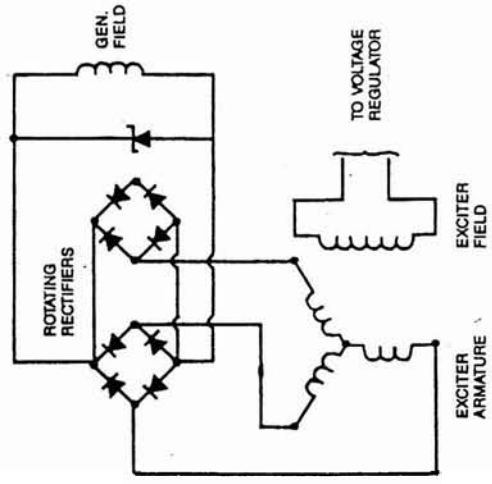


NEUTRAL
SEE NOTE #1
GROUND

SCHEMATIC DIAGRAM
SWITCHABLE 3 PHASE GENERATOR
480/277 VOLT WYE
208/120 VOLT WYE-WYE
240/120 VOLT DELTA

GENERATOR STATOR

GENERATOR IS CONNECTED IN DELTA WHEN SWITCH
CONTACTS ARE IN POSITION SHOWN.

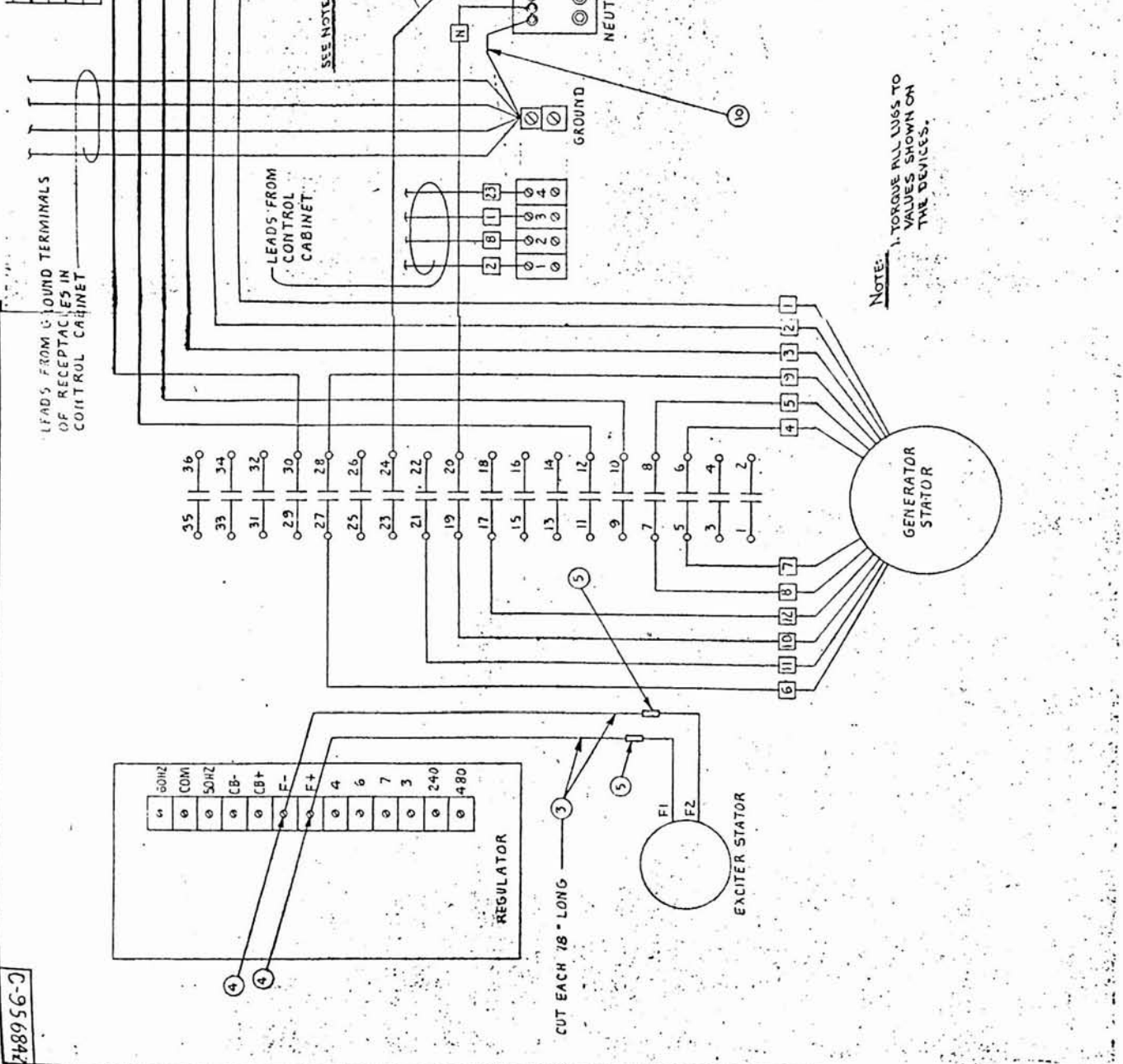


- NOTES:**
1. REMOVE JUMPER FOR ISOLATED NEUTRAL APPLICATIONS.
 2. ANY CHANGES ON THIS DRAWING MUST BE CARRIED THRU ON LABEL DRAWING B-91649-25.
 3. THE NUMBER CIRCLED INDICATES THE SELECTOR SWITCH TERMINAL WHERE THE CONNECTION IS MADE.

MD125
MD190

C-956842

NAME	ECD	DISCUSSION	DATE	BY
1		ORIGINAL		



ITEM	PART NO.	QUAN.	DESCRIPTION	REVISION
13	B-355A1-15	3	LEAD WIRE	
12	B-355A1-14	3	LEAD WIRE	
11	B-355A1-13	9	LEAD WIRE	
10	B-355A2-9	1	LEAD WIRE ASSY	
9	A-49375	24	CABLE TIE	
8	B-24862-3	3	LEAD I.D. TAPE 63	
7	B-24862-2	3	LEAD I.D. TAPE 62	
6	B-24862-1	3	LEAD I.D. TAPE 61	
5	A-58077	2	CONNECTOR	
4	A-7777	2	TERMINAL LUG	
3	A-12124	36	LEAD WIRE	
2				
1				

ITEM	PART NO.	QUAN.	DESCRIPTION	REVISION
1				
2				
3				
4				
5				
6				
7				
8				
9				
10				
11				
12				
13				

ITEM	PART NO.	QUAN.	DESCRIPTION	REVISION
1				
2				
3				
4				
5				
6				
7				
8				
9				
10				
11				
12				
13				

ENERGY

WIRING DIAGRAM AND TERMINATION

C-956842

DATE: 1-18-80

BY: [Signature]

ENERGY CORP.

REVISION

DATE: 1-18-80

BY: [Signature]