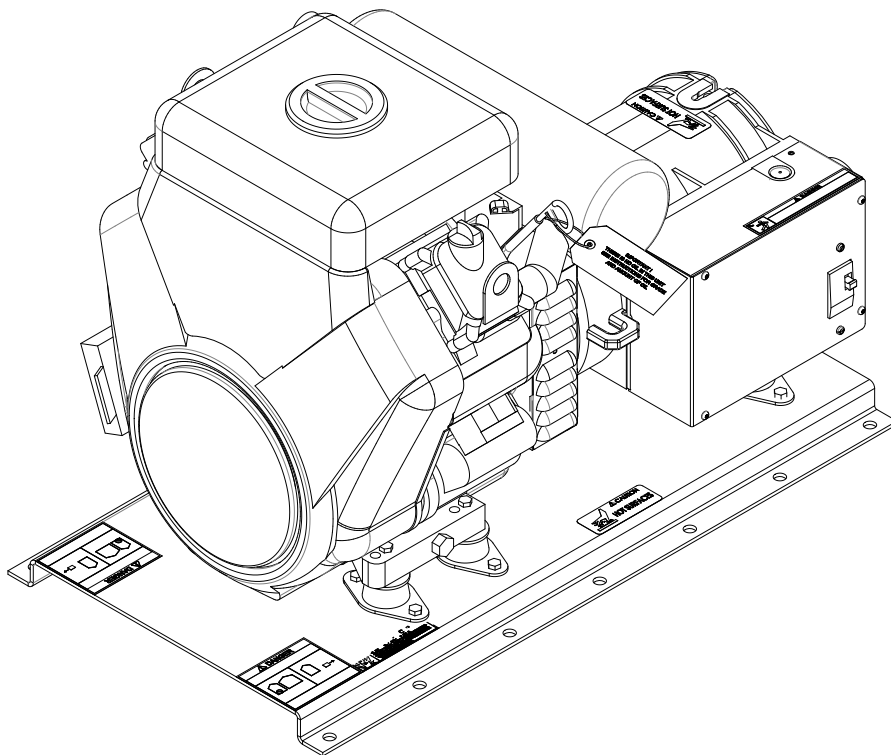


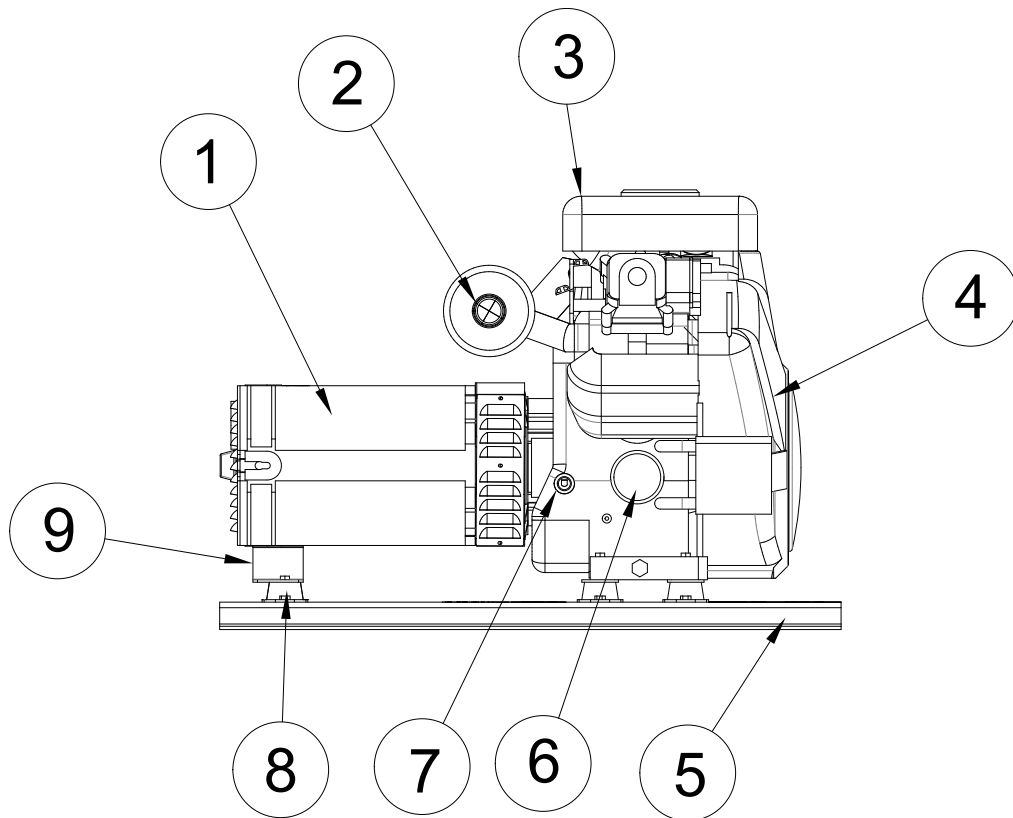


# ILLUSTRATED PARTS LIST EC1800VE/D



WINCO INC.  
225 S. CORDOVA AVE.  
LE CENTER, MN 56057  
(507) 357-6821  
SERVICE DEPT.  
(507) 357-6831  
wincogen.com

# ENGINE / GENERATOR ASSEMBLY

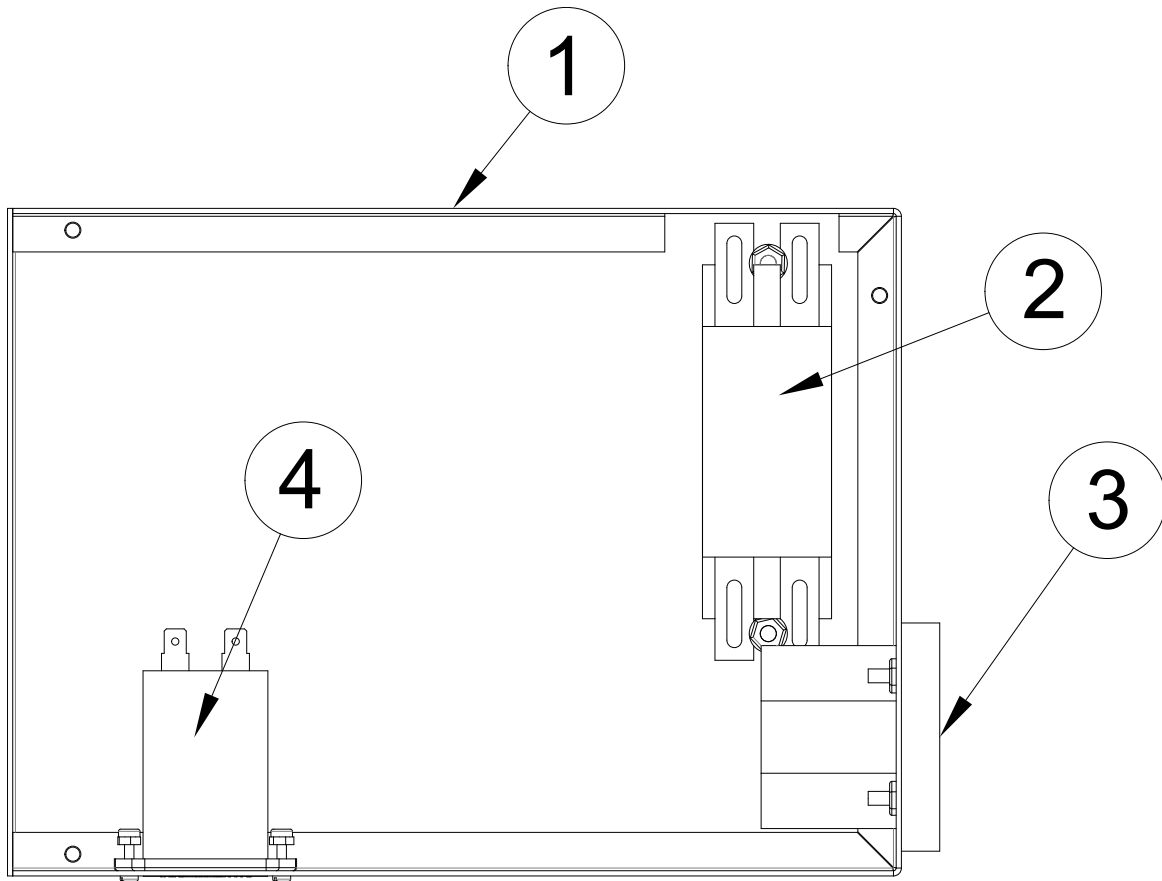


| REF # | PART NUMBER            | QTY  | DESCRIPTION                                       |
|-------|------------------------|------|---|
| 1     | 16428-002              | 1    | Generator Mecc Alte<br>Model: S20F-230/A          |
| 2     | 16237-002              | 1    | Spark Arrestor                                    |
| 3     | 692519                 | 1*   | Air Filter  |
| 4     | 16427-005              | 1    | Engine Briggs & Stratton<br>Model: 543477-2141-G1 |
| 5     | 19018-100              | 1    | Base  |
| 6     | 842921                 | 1*   | Oil Filter  |
| 7     | 841281                 | 1*   | Oil Pressure Switch                               |
| 8     | 98807-000              | 6    | Shock Mount                                       |
| 9     | 16335-006              | 1    | Generator Support                                 |
| NI    | 300349                 | 1    | Oil Drain Valve                                   |
| NI    | 300349-1               | 1    | Oil Drain Valve Adapter                           |
| NI    | 62286-000              | 1 FT | ½" Hose   |
| NI    | 15144-014              | 1    | Engine Baffle                                     |
| NI    | Not Illustrated        |      |   |
| *     | Briggs & Stratton Part |      |   |

For more information on the engine go to:

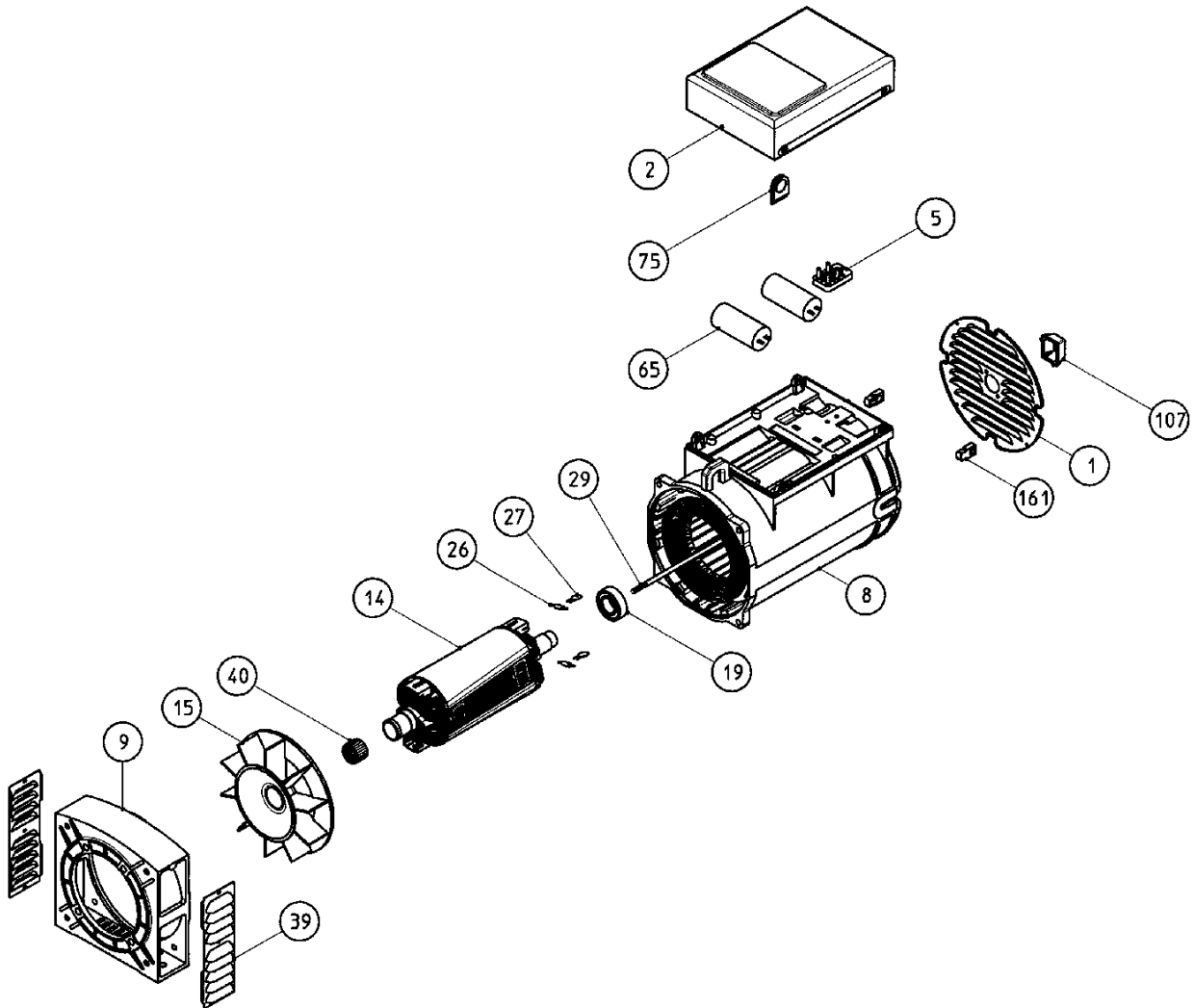
[http://www.wincogen.com/Engine\\_Support](http://www.wincogen.com/Engine_Support)

# RECEPTACLE PANEL ASSEMBLY



| REF # | PART NUMBER     | QTY | DESCRIPTION                   |
|-------|-----------------|-----|-------------------------------|
| 1     | 19018-204       | 1   | Receptacle Box                |
| 2     | 57030-005       | 1   | 60 Amp 2-Pole Circuit Breaker |
| 3     | 300136          | 1   | 60 Amp Receptacle             |
| 4     | 58166-001       | 1   | Running Time Meter            |
| NI    | 19018-205       | 1   | Receptacle Box Cover          |
| NI    | Not Illustrated |     |                               |

# GENERATOR END



| REF # | PART NUMBER | QTY | DESCRIPTION                 |
|-------|-------------|-----|-----------------------------|
|       | 16428-002   | 1   | Complete Generator Assembly |
| 19    | 54665-000   | 1   | Bearing                     |
| 26    | 300323-207  | 2   | Diode                       |
| 27    | 300323-208  | 2   | Varistor                    |
| 65    | 300323-112  | 1   | 31.5µ 425VAC Capacitor      |
| 65    | 300323-212  | 2   | 35µ 425VAC Capacitor        |

Individual parts not listed here may be obtained from [www.meccalte.com](http://www.meccalte.com).  
Winco Inc. sells the complete generator end or the individual parts listed above.

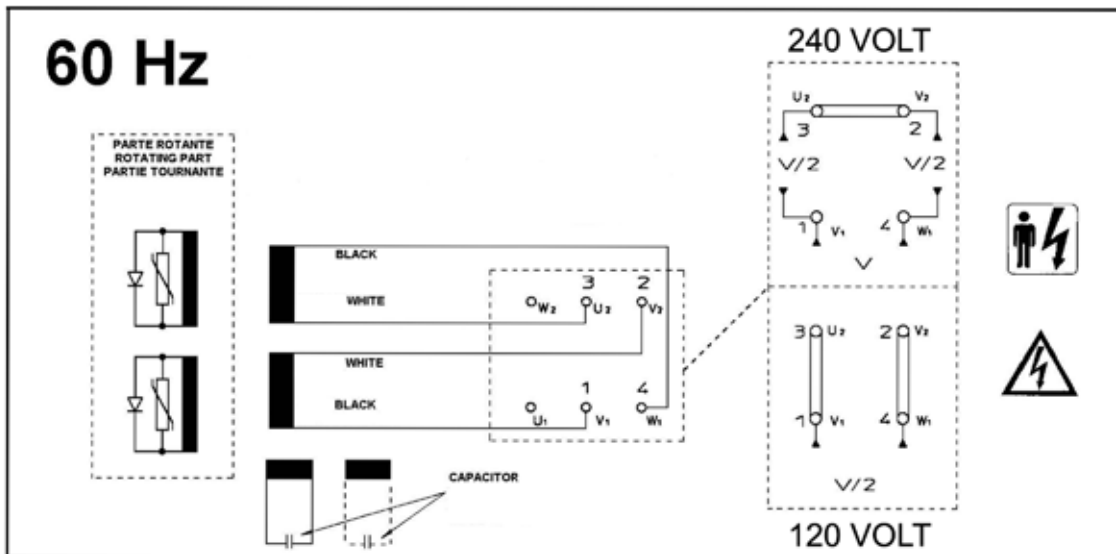
## RESISTANCE VALUES:

**STATOR:** 0.056 OHMS  
**ROTOR:** 8.04 OHMS  
**CAP LEADS:** 0.41 OHMS

# DECALS

| REF # | PART NUMBER | QTY | DESCRIPTION              |
|-------|-------------|-----|--------------------------|
| 1     | 15209-013   | 1   | Fuel Type Gasoline Decal |
| 2     | 63941-001   | 2   | Hot Surfaces Decal       |
| 3     | 64918-000   | 2   | CO Danger Decal          |
| 4     | 15209-000   | 1   | Decal Set                |

## GENERATOR END SCHEMATIC



# WIRING DIAGRAM

