

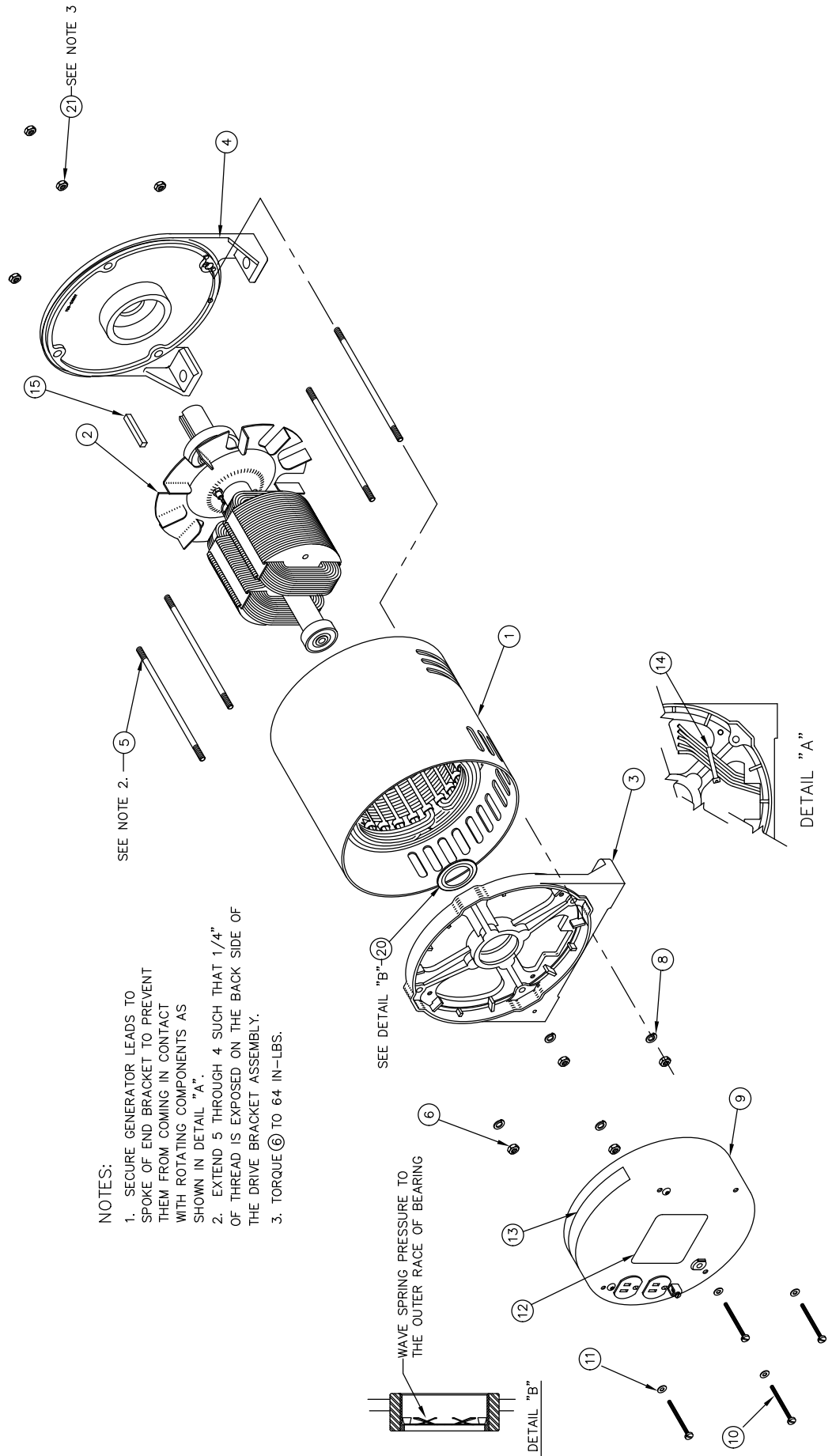


ILLUSTRATED PARTS LIST

TB2400C/D

225 S. CORDOVA AVE.
LECENTER, MN 56057
507-357-6821
SERVICE DEPT.
507-357-6831
wincogen.com

COMPLETE ASSEMBLY



NOTES:

1. SECURE GENERATOR LEADS TO SPOKE OF END BRACKET TO PREVENT THEM FROM COMING IN CONTACT WITH ROTATING COMPONENTS AS SHOWN IN DETAIL "A".
2. EXTEND 5 THROUGH 4 SUCH THAT 1/4" OF THREAD IS EXPOSED ON THE BACK SIDE OF THE DRIVE BRACKET ASSEMBLY.
3. TORQUE ⑥ TO 64 IN-LBS.

SEE NOTE 2. — ⑤

②①—SEE NOTE 3

WAVE SPRING PRESSURE TO THE OUTER RACE OF BEARING

DETAIL "B"

SEE DETAIL "B"—②①

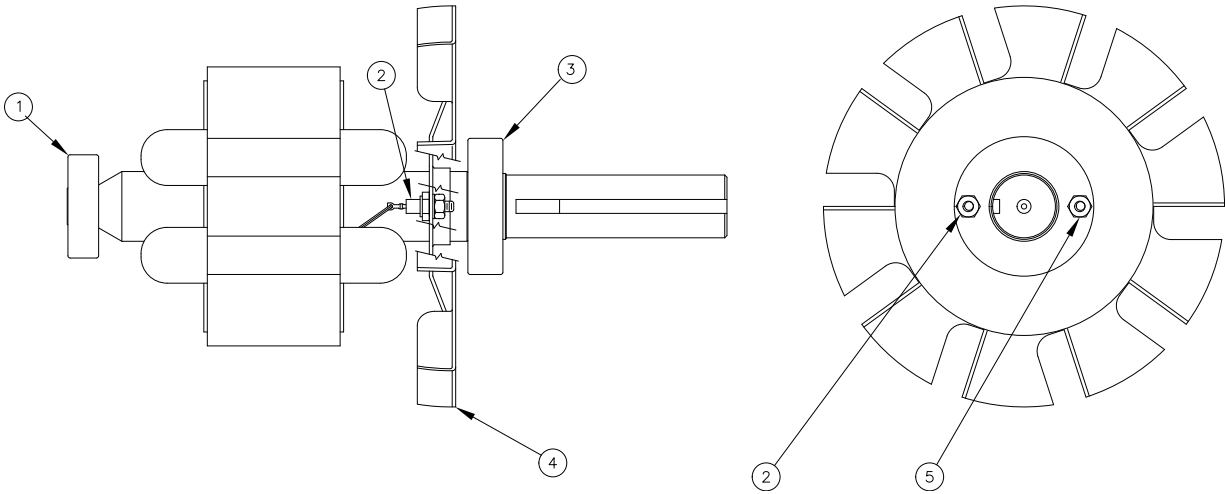
DETAIL "A"

REF #	PART NUMBER	QTY	DESCRIPTION
1	15572-000	1	Stator Assembly
2	15570-000	1	Rotor Assembly
3	15561-000	1	Bearing Bracket
4	15577-001	1	Drive End Bracket
5	15068-003	4	1/4"-20 Through Bolt
6	638-000	4	1/4"-20 Hex Nut
8	479-000	7	1/4" Split Lock Washer
9	15596-002	Reference	End Cover Assembly
10	15013-000	4	10-32 X 3.5" Screw
11	21975-000	4	# 10 Lock Washer
12	63966-007	1	Name Plate
13	15209-000	1	Danger Decal
14	49975-011	1	Cable Tie
15	44208-000	1	1/4" x 1.75" Square Key
20	16174-000	1	Wave Washer
21	16248-000	4	1/4"-20 Flange Nut
NI	15017-001	1	Bearing Insert
NI	Not Illustrated		

GENERATOR SPECIFICATIONS:

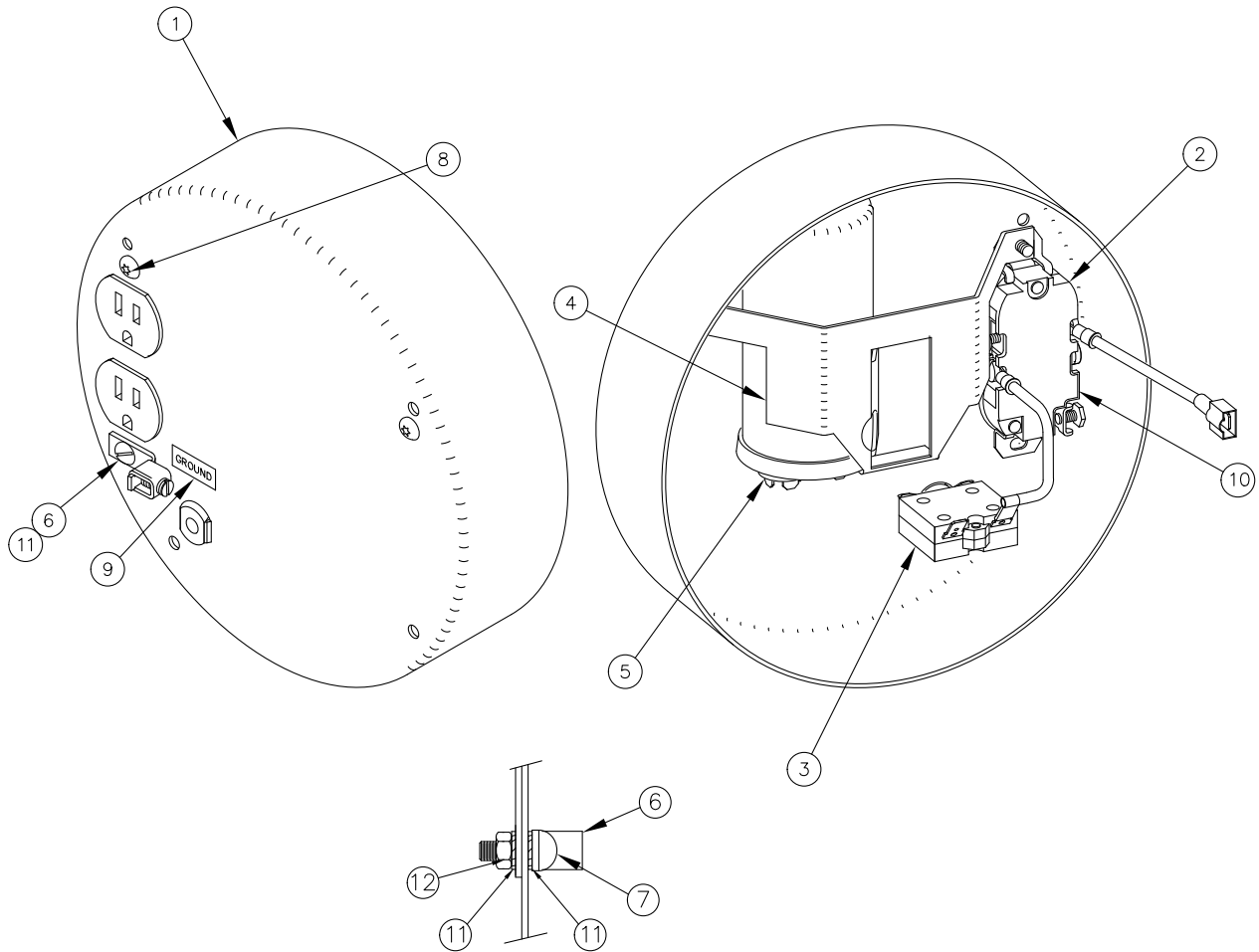
Stator Windings:	
G1 to N (Neutral)	.52 - .57 Ohms
Capacitor Leads	1.68 - 1.87 Ohms
Rotor Resistance	0.90 - 0.98 Ohms
Winding Spec. #	SS1548
AC Residual Volts	7.0 VAC G1 - N

ROTOR ASSEMBLY



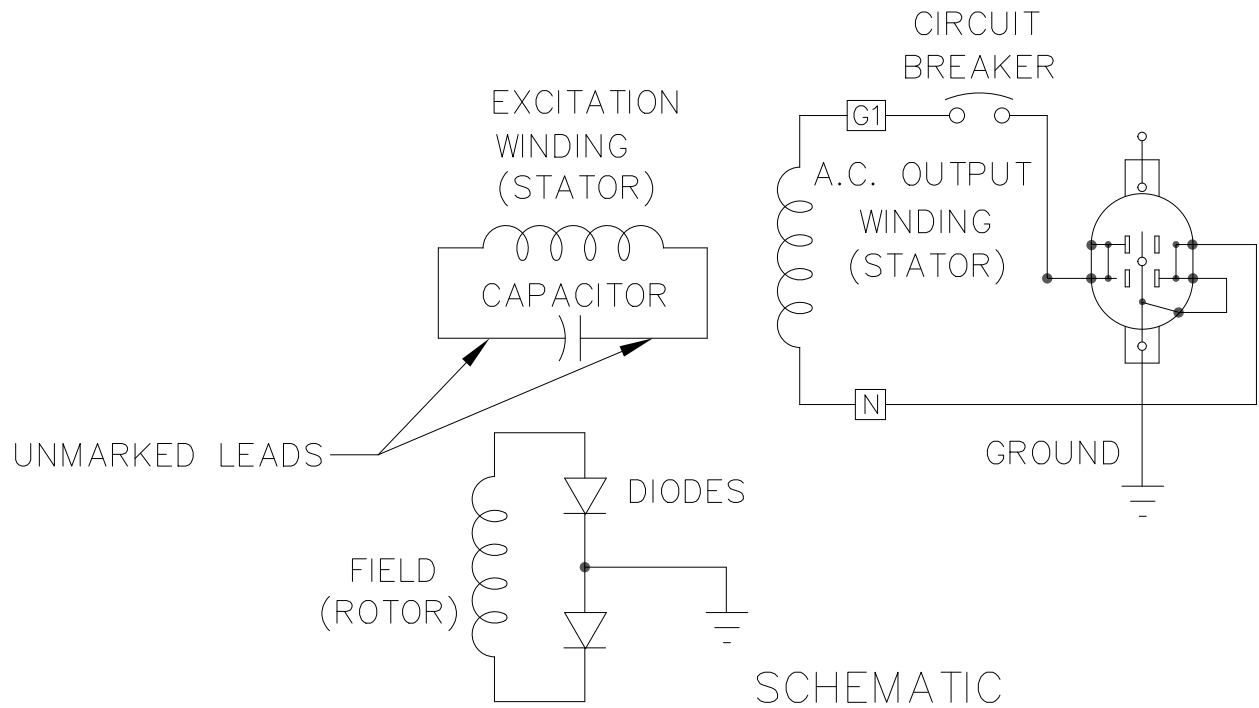
REF #	PART NUMBER	QTY	DESCRIPTION
1	50215-000	1	Bearing (6303)
2	15047-001	1	Standard Polarity Diode
3	64562-000	1	Bearing (6206)
4	15298-001	1	Fan
5	15047-002	1	Reverse Polarity Diode

END COVER ASSEMBLY



REF #	PART NUMBER	QTY	DESCRIPTION
1	15133-003	1	End Cover
2	50766-000	1	NEMA 5-20R Receptacle
3	91286-001	1	20 Amp Circuit Breaker
4	15088-000	1	Capacitor Strap
5	15051-000	1	40uf 370VAC Capacitor
6	48042-001	1	Ground Lug
7	24988-000	1	6-32 x 1/2" Screw
8	21698-001	2	# 10 x 3/8 Torx Screw
9	15750-000	1	Ground Decal
10	41387-009	1	Ground Strap
11	22989-000	2	Lock Washer
12	394-000	1	Hex Nut

WIRING SCHEMATIC



SCHEMATIC