

4KS2G

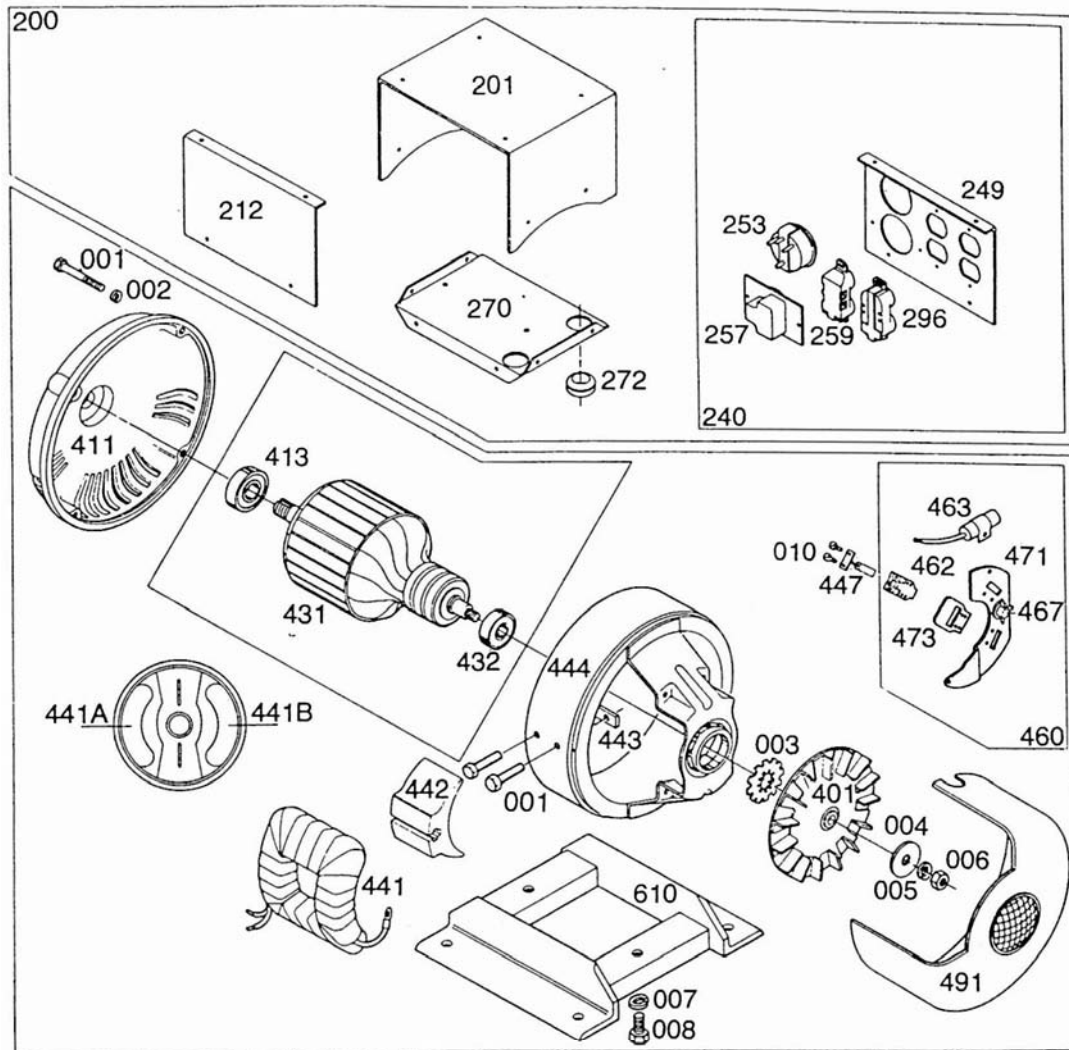


Figure 8 4KS2G

Replacement Parts List for 4KS2G

Ref. No.	Part No.	Qty.	Description	Ref. No.	Part No.	Qty.	Description
001	9416	8	Machine screw - 5/16-1	400	61374	1	Generator and base assy. (less box)
002	480	4	Lockwasher - 5/16 split	401	23404	1	Fan assembly
003	40552	1	Lockwasher - 11/16 int.	411	40097	1	End bracket
004	21867	1	Washer - 1/2 flat	413	8031	1	Bearing
005	20039	1	Lockwasher - 1/2 ext.	431	61046-000	1	Armature assembly - less bearings
006	9549	1	Nut - 1/2-20 x 3/8	432	46911	1	Bearing
007	481	2	Lockwasher - 3/8 split	441	—	—	See 441A and 441B
008	91658-1	2	Cap screw - 3/8	441A	55361	1	Field coil
010	40746	12	Machine screw - #6-32 - 5/16	441B	55361-1	1	Field coil
200	61382-5	1	Control box assy. (complete)	442	23207	2	Pole shoe
201	60940	1	Cover	443	23208	2	Pole shoe retainer
212	60938	1	Rear panel	444	59067	1	Field shell and brkt.
240	61380-1	1	Front panel assy.	447	23607	6	Brush A.C. (1/4 x 3/8)
248	24749	1	Receptacle - 120V/15 amp (5-15R)	460	55247	1	Brush rack assembly
249	60937-1	1	Front panel only	462	59690	6	Brush holder A.C.
253	52490	1	Voltmeter	463	41221	3	Capacitor A.C.
257	57325	1	Receptacle - 250V/50 amp (X-50R)	467	91452	1	Rectifier
259	24749	1	Receptacle - 120V/15 amp (5-15R)	468	41387-6	3	Ground strap - copper
270	60147	1	Saddle	473	59688	1	Barrier spacer
272	23917	1	Grommet	471	56960	1	Brush plate (bare)
296	40452	1	Receptacle - 240V/12 amp (6-15R)	491	55007	1	End cover
				610	24535	1	Base assembly

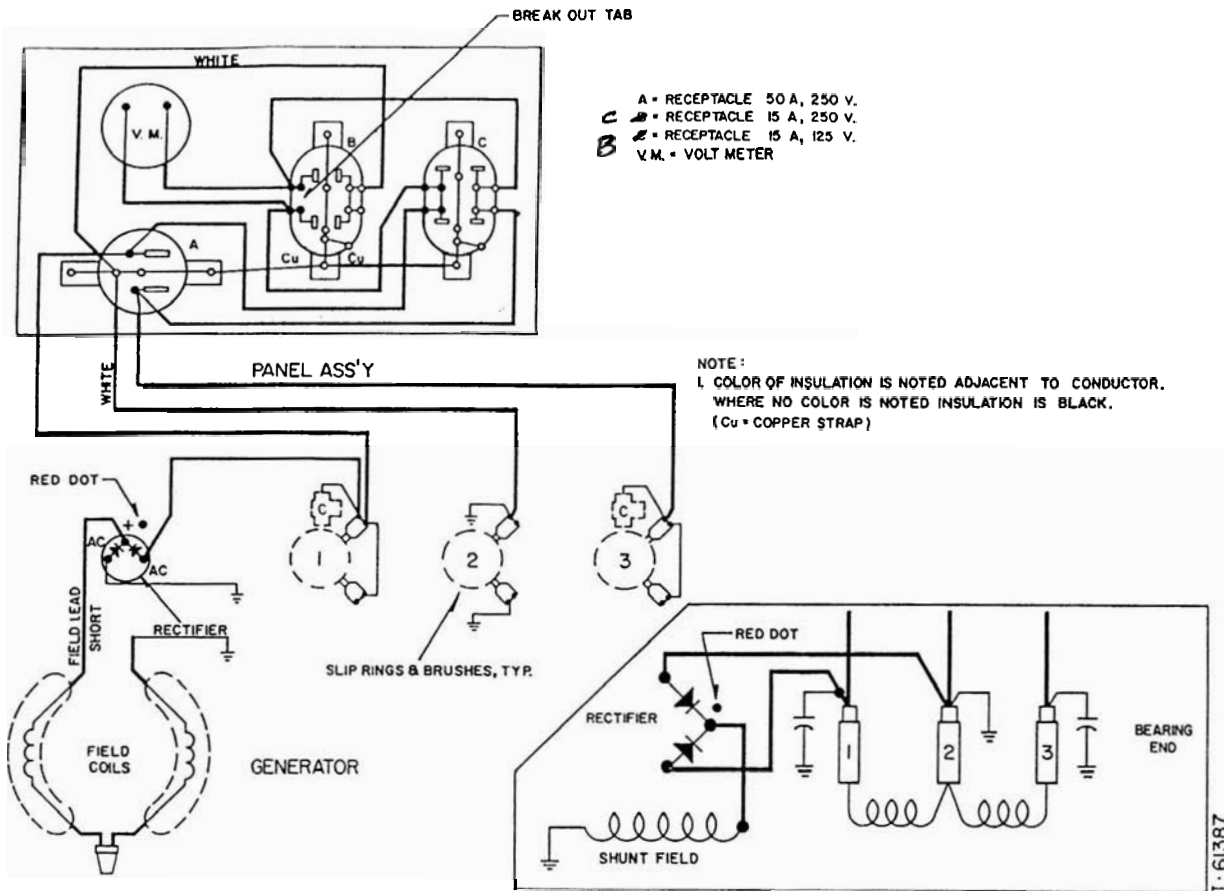


Figure 6 — Models 4, 8KS

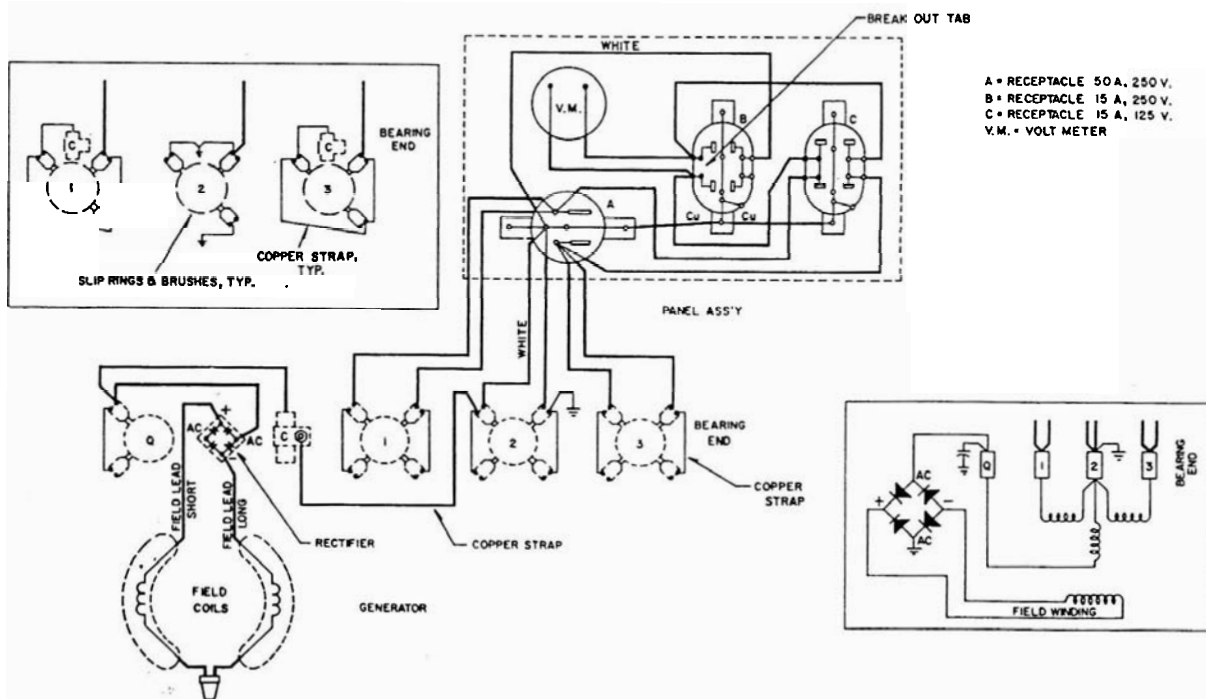


Figure 7 — Model 20KS