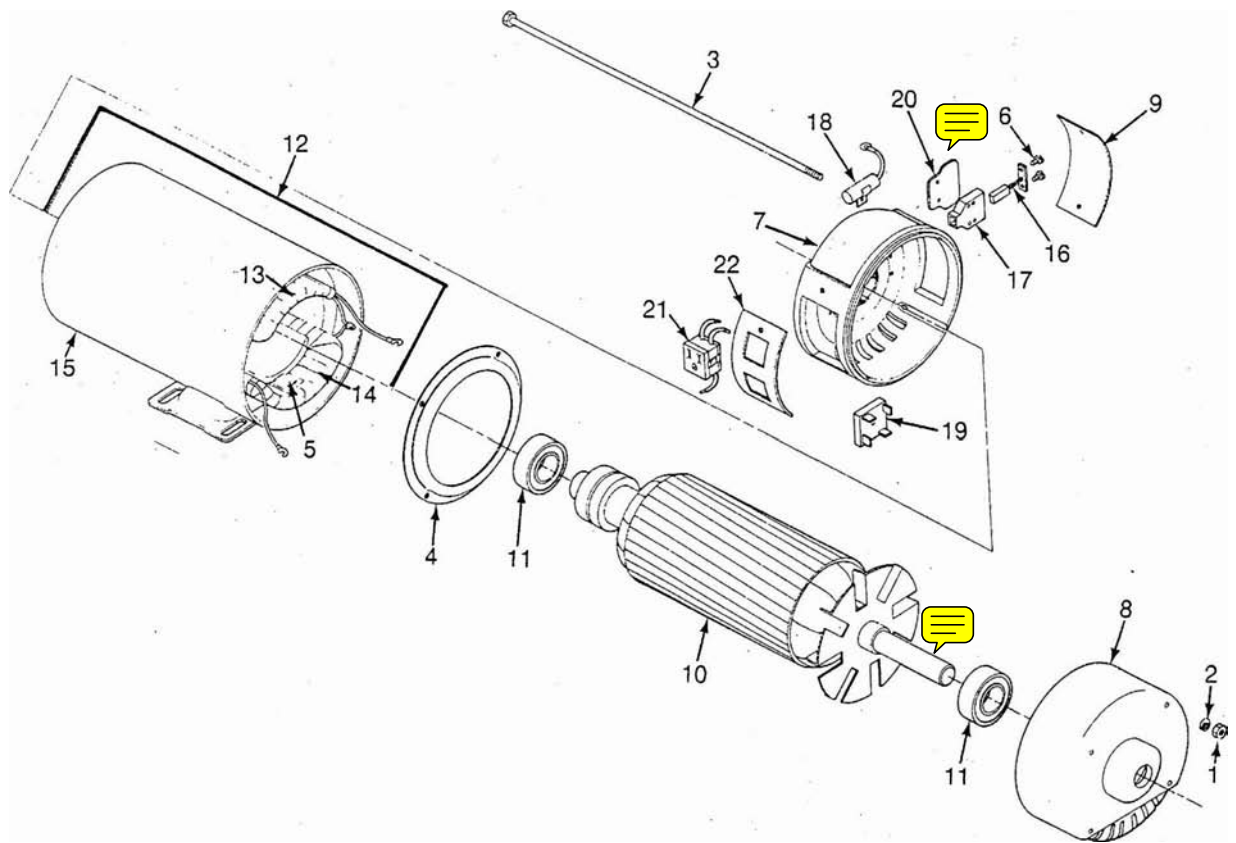


ILLUSTRATE PARTS LIST

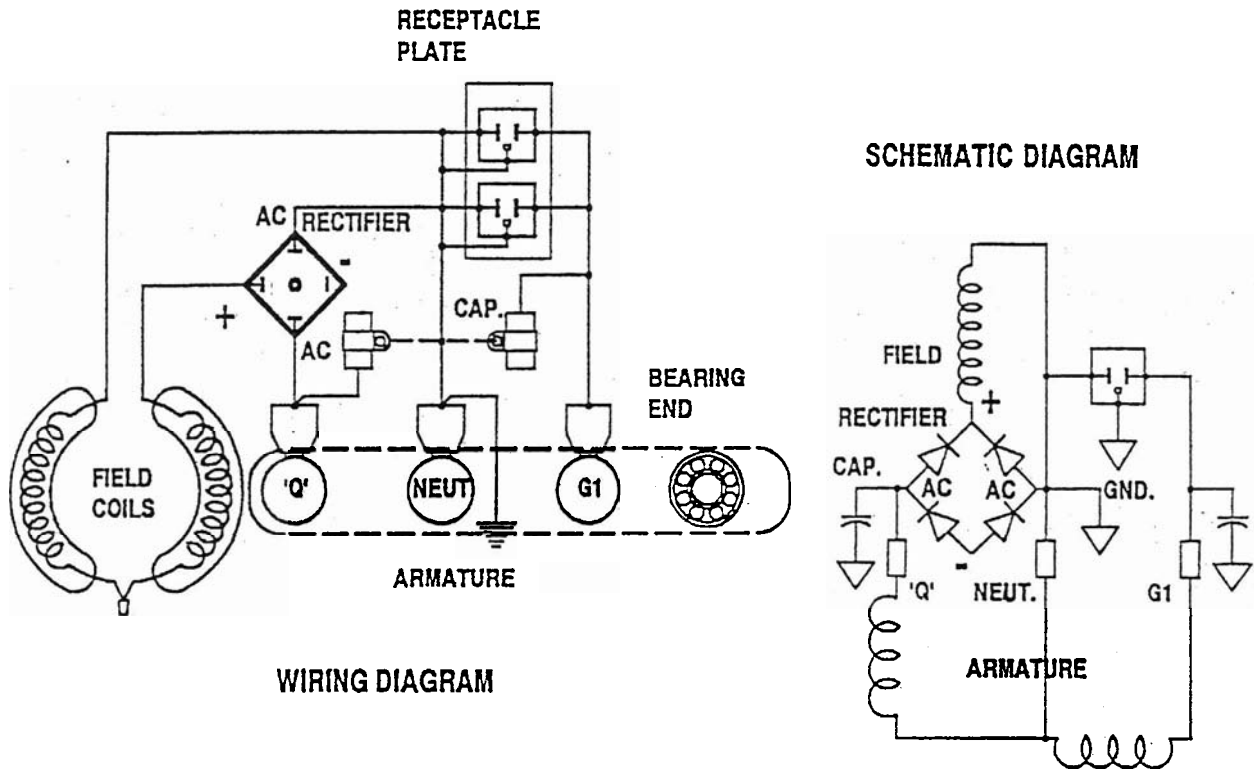
MODEL 2FSM2PC-1/A

PART NUMBER 61685-000



REF	PART NBR	QTY	DESCRIPTION	REF	PART NBR	QTY	DESCRIPTION
1	6372-000	4	#10-32 Nut	12	61687-000	1	Field Shell & Coil Assy
2	484-000	4	#10 LockWasher	13	60925-000	1	Upper Field Coil
3	20556-002	4	#10-32 Thru Bolt	14	60925-001	1	Lower Field Coil
4	7924-000	1	Baffle	15	61689-000	1	Field Shell
5	20557-000	2	Anchor Strap	16	23607-000	3	AC Brush
6	40746-000	6	#8-32 X 5/16 Screw	17	59690-000	3	Brush Holder
7	61686-000	1	Output End Bracket	18	41221-000	2	Capacitor
8	8929-000	1	Input End Bracket	19	91452-000	1	Rectifier
9	60928-000	1	Cover	20	59688-000	3	Barrier Spacer
10	61426-000	1	Armature w/Bearings	21	60960-000	2	Receptacle
11	55223-000	2	Bearing	22	60931-000	1	Receptacle Plate

WIRING DIAGRAM MODEL 2FSM2PC-1/A PART NUMBER 61685-000



TECHNICAL DATA

RESISTANCES

ARMATURE

"Q" TO "N"

0.28 - 0.30 OHMS

"G1 TO "N"

0.170 - 0.188 OHMS

FIELD COILS

13.2 - 14.6 OHMS

WINCO[®] INC
A Division of **DTP** Dyna Technology Inc
225 South Cordova Ave.
Le Center MN 56057
507-357-6821