

### GENERATOR SPECIFICATIONS

Armature Slip Rings:

G1 to Neutral .225 - .240 Ohms

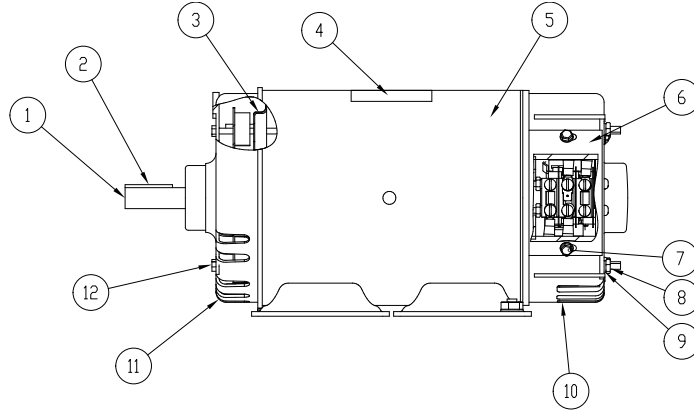
Q to Neutral .338 - .365 Ohms

Field Coils 12.8 - 14.1 Ohms  
(6.4 - 7.05 Ohms Per Coil)

AC Residual Volts 7.0 VAC G1 - N

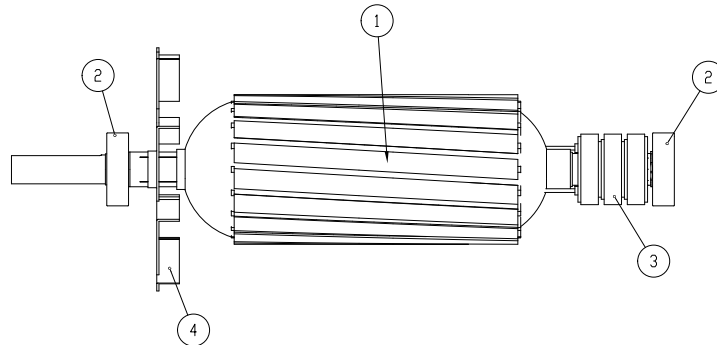
225 S. Cordova Ave Le Center, MN 56057  
Service Department 507-357-6831  
wincogen.com

# COMPLETE ASSEMBLY



REF #	PART NUMBER	QTY	DESCRIPTION
1	61426-013	1	Armature & Bearing Assembly
2	21361-000	1	3/16" Square Key
3	7924-000	1	Fan Baffle
4	63966-007	1	Nameplate
5	61687-003	1	Field Shell, Base Assembly
6	60928-000	1	Cover Plate
7	53644-000	4	10-24 x 3/8" Self Tapping
8	6372-000	4	#10-32 Hex Nut
9	484-000	4	#10 Split Lock Washer
10	61686-000	1	End Bracket Assembly
11	8929-000	1	End Bracket
12	20556-002	4	10-32 x 11 3/4" Through Bolt

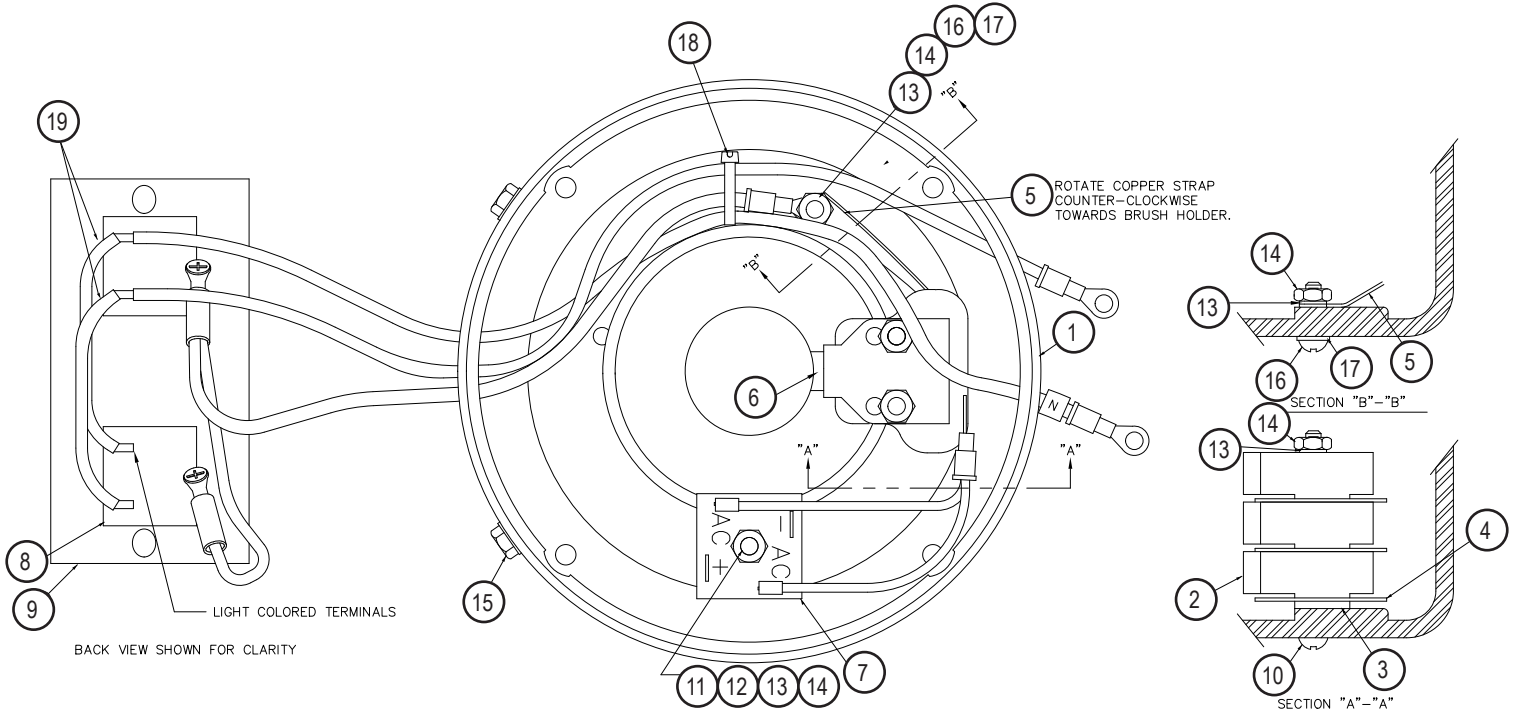
# ARMATURE & BEARING ASSEMBLY



REF #	PART NUMBER	QTY	DESCRIPTION
1	61426-013	1	Armature & Bearing Assembly
2	55223-000	2	Bearing
3	23585-000	1	Slip Ring - 3 Rings
4	64640-000	1	Fan

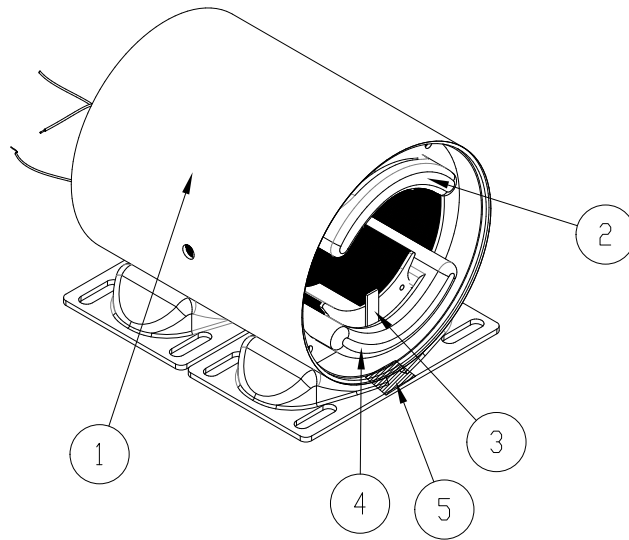
The Armature & Bearing Assembly part comes with all the parts listed.

# END BRACKET ASSEMBLY



REF #	PART NUMBER	QTY	DESCRIPTION
1	61427-000	1	End Bracket
2	59690-000	3	Brush Holder
3	23532-000	1	Spacer
4	59688-000	3	Barrier Spacer
5	41387-017	1	Copper Strap
6	23607-000	3	AC Brush
7	53976-000	1	Rectifier
8	60960-000	2	Receptacle
9	60931-000	1	Receptacle Plate
10	21977-000	2	# 8-32 x 2 1/4" Bolt
11	511-000	1	# 8 Flat Washer
12	23599-000	1	# 8-32 x 1" Bolt
13	6376-000	4	# 8 Split Lock Washer
14	5113-000	4	# 8-32 Hex Nut
15	53644-000	2	# 10 Screw
16	7614-000	1	# 8-32 x 3/4" Bolt
17	21976-000	1	External Star Washer
18	49975-000	1	Tie Wrap
19	46921-000	2	Sleaving

# FIELD SHELL AND COIL ASSEMBLY



REF #	PART NUMBER	QTY	DESCRIPTION
1	61687-003	1	Complete Field Shell & Coil Assembly
2	60925-004	1	Upper (top) Field Coil
3	20557-000	2	Anchor Strap
4	60925-005	1	Lower (bottom) Field Coil

## WIRING SCHEMATIC

