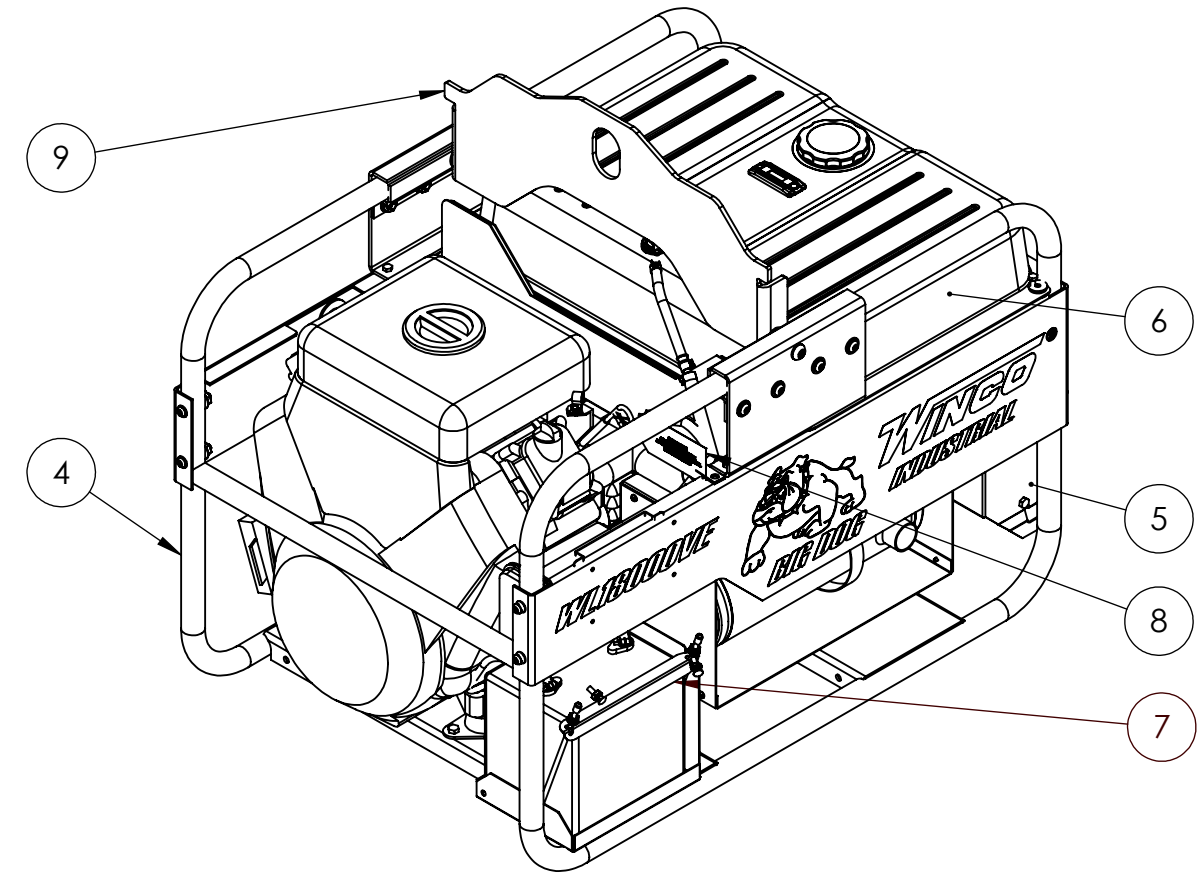
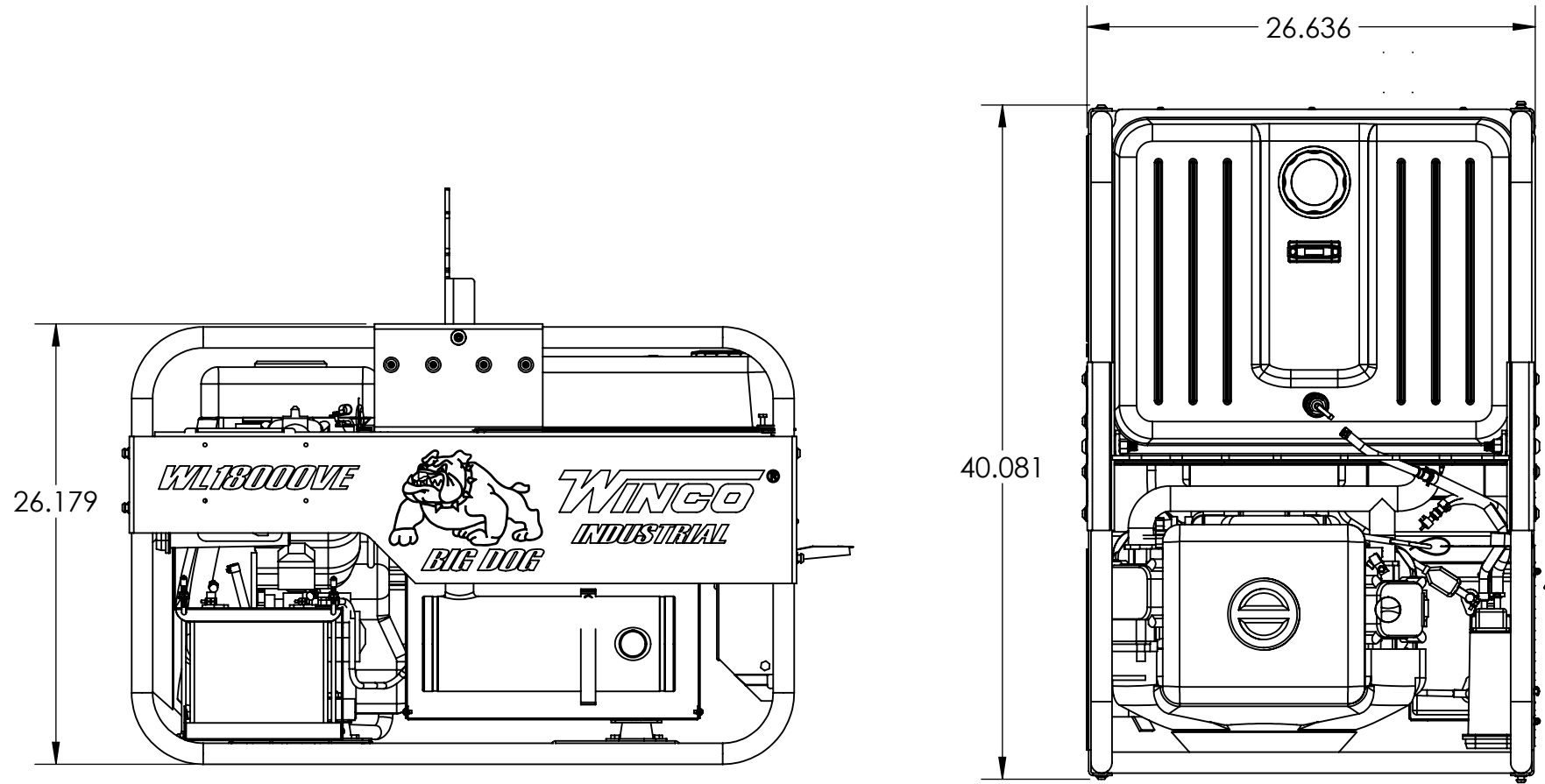


24018-002

REVISIONS					
REV.	IRN	DESCRIPTION	DATE	BY	APP'D
A	2883	LIFTING EYE ASSEMBLY WAS 300144-11	6/30/2014	KS	DRC



ITEM NO.	PartNo	DESCRIPTION	QTY.
1	15715-074	DECAL AND NAMEPLATE INSTALL	1
2	100047-742	CARTON	1
3	60706-239	OPR MANUAL WL18000	1
4	18000-002	ENGINE GENERATOR AND CRADLE	1
5	16176-046	RECEPTACLE BOX INSTALLATION	1
6	15163-072	FUEL TANK INSTALLATION	1
7	16175-029	BATTERY INSTALLATION	1
8	60710-018	OIL WARNING TAG	1
9	300144-14	LIFTING EYE ASSEMBLY	1

UNLESS OTHERWISE SPECIFIED					
FRACTIONS	ANGULAR	MACHINED SURFACE TEXTURE	ALL DIMENSIONS GIVEN IN INCHES WORK TO DIMENSIONS FLAT OUTSIDE VIEW SHOWN UNLESS NOTED -DO NOT SCALE-		
1 PLACE DEC. .1	1.5				
2 PLACE DEC. .015					
3 PLACE DEC. .005					
	DRAWN BY	DATE	CHK'D BY	DATE	ENG APPR.
	KS	6/30/2014			DRC
					DATE
					7/3/2014
	MATERIAL:	SEE TABLE	WEIGHT:		
	FINISH:	VARIOUS	TITLE:		
	TOTAL SURFACE AREA:	N/A	COMPLETE ASSEMBLY		
	FACE SURFACE AREA:	N/A			
	MODEL:	WL18000			
THIS DRAWING CONTAINS PROPRIETARY INFORMATION BELONGING TO WINGCO. UNAUTHORIZED USE IS PROHIBITED			PART NO. 24018-002		