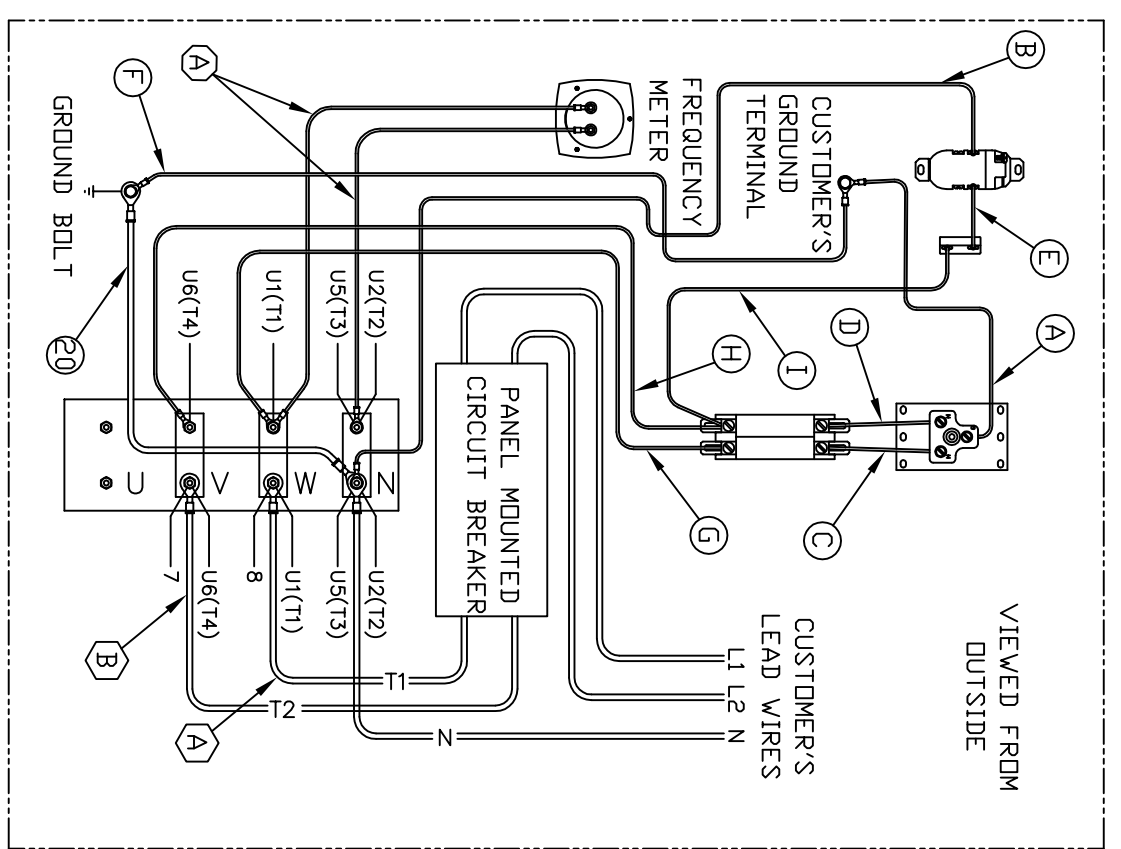


- NOTES:
1. LETTERS IN HEXAGON (B) ARE I.D. OF LEADS FROM DRAWING B-300173-2
 2. LETTERS IN CIRCLES (B) ARE I.D. OF LEADS FROM DRAWING B-300184
 3. LETTERS IN OCTAGON (A) ARE I.D. OF LEADS FROM DRAWING B-300171-1
 4. NUMBERS IN CIRCLE (20) ARE ITEMS IN PARTS LIST FROM THIS DRAWING



| ITEM | PART NO | QUAN. | DESCRIPTION |
|------|-----------|-------|---|
| 25 | 1744-000 | 4 | 1/2-13 HEXNUT (SHIPPING) |
| 24 | 21867-000 | 4 | 1/2 FLATWASHER (SHIPPING) |
| 23 | 61603-005 | 4 | 1/2-13 X 2-1/2 CARRIAGE BOLT (SHIPPING) |
| 22 | 60706-160 | 1 | OPERATOR'S MANUAL |
| 21 | 64894-005 | 1 | DECAL AND NAMEPLATE INSTALLATION |
| 20 | 52118-041 | 1 | LEAD WIRE ASSEMBLY |
| 19 | 300173-16 | 1 | MAIN LINE BREAKER PANEL INSTALLATION |
| 18 | 16249-000 | 4 | 5/16-18 HEX FLANGENUIT |
| 17 | 526-000 | 4 | 5/16 FLAT WASHER |
| 16 | 465-000 | 4 | 5/16-18 X 7/8 HEX HEAD BOLT |
| 15 | S-7606 | 1 | PTD SHAFT GUARD |
| 14 | 484-000 | 4 | # 10 SPLIT LOCKWASHER |
| 13 | 52464-002 | 4 | #10-32 X 1-1/2 ROUND HEAD SCREW |
| 12 | 6372-000 | 4 | NUT HEX #10-32 ZINC |
| 11 | 300105 | 1 | LOWER SHAFT GUARD |
| 10 | 91658-015 | 4 | 3/8-16 X 4 HEX HEAD BOLT |
| 9 | 62825-004 | 8 | SPACER |
| 8 | 300104 | 1 | PTD SHAFT GUARD SUPPRT PLATE |
| 7 | 300096 | 1 | SHAFT WASHER |
| 6 | 300106-1 | 1 | BELLEVILLE WASHER, 5/8" |
| 5 | 350096-35 | 1 | M16-2.00 X 35MM HEX HEAD BOLT |
| 4 | 97436-010 | 12 | M10 LOCKWASHER |
| 3 | 94282-035 | 12 | M10 X 1.50 X 35 MM HEX HEAD BOLT |
| 2 | 91099-004 | 1 | GEARCASE & ADAPTER ASSY |
| 1 | 351811-41 | 1 | GENERATOR |

| ISSUE | E.C.O. NO. | DESCRIPTION | DATE | BY | APPD |
|-------|------------|--------------------------------|------------|-----|------|
| D | 6389 | REMOVED AVR AS440 | 12/19/2016 | SJM | DRC |
| C | 6040 | CHANGED GENERATOR TO 351811-41 | 10/17/2016 | SJM | DRC |
| B | --- | CHANGE GENERATOR TO 351811-8 | 8/25/2016 | ZJF | ZJF |
| A | C3847 | ORIGINAL | 7/8/2016 | ZJF | ZJF |

| REVISION RECORD | | | | | |
|-----------------|------------|--------------------------------|------------|-----|------|
| ISSUE | E.C.O. NO. | DESCRIPTION | DATE | BY | APPD |
| D | 6389 | REMOVED AVR AS440 | 12/19/2016 | SJM | DRC |
| C | 6040 | CHANGED GENERATOR TO 351811-41 | 10/17/2016 | SJM | DRC |
| B | --- | CHANGE GENERATOR TO 351811-8 | 8/25/2016 | ZJF | ZJF |
| A | C3847 | ORIGINAL | 7/8/2016 | ZJF | ZJF |

| DRAWN BY | DATE | CHK'D BY | DATE | ENG APPR. | DATE |
|----------|----------|----------|------|-----------|----------|
| ZJF | 7/8/2016 | | | ZJF | 7/8/2016 |

| TITLE: | MODEL: | TOLERANCE: | UNAUTHORIZED USE IS PROHIBITED |
|------------------------|--------------|---|--|
| COMPLETE UNIT ASSEMBLY | W150PTOS-3/F | +/- 0.0625 DECIMAL +/- 1 DEG ANGULAR | THIS DRAWING CONTAINS PROPERTY INFORMATION BELONGING TO WINGCO. UNAUTHORIZED USE IS PROHIBITED |

| PART: | 64864-012 |
|-------|-----------|
|-------|-----------|