



# PARTS CATALOG

Published

2011/4 (Apr.)

---

0CR10-G71900

# Introduction

1. This parts catalog is a first edition of the L100V6EJ1G1HAS1 Diesel engine for PRAMAC-SDMO.

	Parts catalog No.	Date of issue	Remarks
First edition	000Y00R7190	Apr. , 2008	

2. This parts catalog does not contain the technical data needed for maintenance service.

3. The illustrations used in this parts catalog have been simplified for clarity.

4. The contents of this parts catalog are subject to change without notice.

5. Be sure to use only Yanmar genuine parts for repairs. If imitation parts are used, it may cause engine defects.

## Directions for the Parts Catalog.

1. The parts stipulated in this Parts Catalog are not necessarily standard equipped parts.
2. Parts may change without prior notice.
3. The following is an example of the Parts Catalog format.

REF.	LEV.	PARTS NO.	DESCRIPTION	Q'TY						I	R
				(A)	(B)	(C)	(D)	(E)	(F)		
1	1	729595-51390	FUEL INJECTION PUMP	1	1	1	1	1			1
1-1	1	729595-51391	FUEL INJECTION PUMP	1	1	1	1	1		N	1
		(A=E00185) (B=E00200)									
3	2	26022-060162	SCREW M 6X 16	9	9	9	9	9			
3-1	2	26022-060162	SCREW M 6X 16	4	4	4	4	4		K	
		(A=E00156) (B=E00156) (C=E00156) (D=E00156) (E=E00156)									
4	2	129470-51040	CAMSHAFT	1	1	1	1	1			
5	2	122710-51050	BEARING, ROLLER	2	2	2	2	2			
6	2	129470-51060	RETAINER	1	1	1	1	1			

Remarks
(1) BOOST COMPEMSATOR TYPE. OPTIONAL PART, TO E00155,(4JH-DT, 4JH-DTZ

### ① Ref. No.

The Ref. No. listed may not be in accordance with the illustration Ref. No.

(Ex.) Illustration No.

List Ref No.

1

1

(Before change)

1-1

(After change)

For interchangeable symbols N, R and K, illustrations for new parts may be abbreviated.

### ② Lev. (Level)

Level indication

The numbers below indicate the level of relativity towards the main part.

1 ----- Main parts (Assembly parts)

2 ----- Sub component included in " 1 ".

3 ----- Sub component included in " 2 ".

Note) Parts that are not for sale are partially illustrated but not listed.

### ③ Interchangeability Mark

When a part change takes place, one of the following interchangeability symbols is indicated beside the part.

Symbol	Interchangeability	Contents note
N	Old $\begin{matrix} \leftarrow \text{Yes} \\ \text{No} \rightarrow \end{matrix}$ New	New Part is interchangeable for Old Part but Old Part is not interchangeable for New Part.
Q	Old $\begin{matrix} \leftarrow \text{No} \\ \text{Yes} \rightarrow \end{matrix}$ New	New Part is not interchangeable for Old Part but Old Part is interchangeable for New Part.
R	Old $\begin{matrix} \leftarrow \text{Yes} \\ \text{Yes} \rightarrow \end{matrix}$ New	New/ Old Parts are both interchangeable.
S	Old $\begin{matrix} \leftarrow \text{No} \\ \text{No} \rightarrow \end{matrix}$ New	New/ Old Parts are both not interchangeable.
W		Part newly added.
Z		Part discontinued.
F		Not interchangeable by a single part but interchangeable together with related parts.
K		Changes only for used parts quantities.

### ④ Effective Machine No.

When a part changes, the effective Machine No. will be indicated in the (A)-(F) column.

Product Symbol	Product No.	Product Symbol	Product No.
C	Clutch No. Compressor No.	F	Machine No. (Agricultural Equip.)
D	Drive No.	M	Machine No.
E	Engine No.		

Note 1) A date may follow the symbol. (Ex.) 1996.01

Note 2) "XXXXX" and "ZZZZZ" are for parts that could not be predicted or for engine models that could not be identified.

Note 3) (A=E00185) is the E (Engine Serial Number) for the column (A) model (in this case 4JH-DT) after the parts design change.

### ⑤ Remarks Mark

Figures or alphabets (symbols) are entered in the remarks column.

The comments (remarks) on parts that are indicated at the bottom of the illustration are the same symbols as those stated above.

# CONTENTS

MODEL : L100V6EJ1C1HAS1

PC NO : 0CR10-G71900

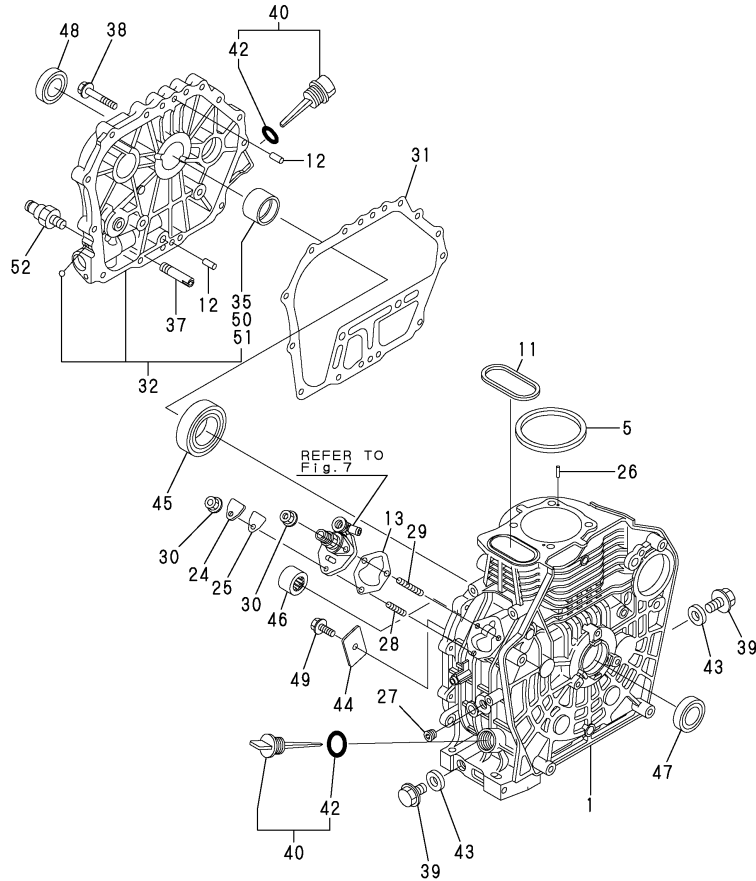
Fig.No. GROUP NAME

L100V6EJ1C1HAS1

1. CYLINDER BLOCK
2. CYLINDER HEAD & BONNET
3. AIR CLEANER & MUFFLER
4. CRANKSHAFT, PISTON & CAMSHAFT
5. LUB.OIL PUMP & GOVERNOR
6. COOLING & STARTING DEVICE
7. FUEL INJECTION PUMP & FUEL INJECTION VALVE
10. (7A)FUEL INJECTION PUMP & FUEL INJECTION VALVE
8. STARTING MOTOR & DYNAMO
9. TOOL, LABEL & GASKET SET

Fig.No. GROUP NAME

Fig.1. CYLINDER BLOCK



OCR10-G71900 1. CYLINDER BLOCK

(A)=L100V6EJ1C1HAS1

(B)=

(C)=

(D)=

(E)=

(F)=

REF.	LEV.	PARTS NO.	DESCRIPTION	Q'TY						I	R
				(A)	(B)	(C)	(D)	(E)	(F)		
1	1	114310-01010	BLOCK ASSY, CYLINDER	1							
5	1	114695-01330	GASKET ASSY,CYL.HEAD	1							
11	1	114699-01380	O-RING	1							
12	1	114299-01600	PIN, 8X12	2							
13	1	114299-01800	SHIM SET	1							
24	1	114299-01830	COVER,(FO PUMP	1							
25	1	114250-01841	GASKET, COVER	1							
26	1	22312-040080	PARALLEL PIN, M4X8	2							
27	1	23875-020000	PLUG PT1/4,STEEL	1							
28	1	26226-060182	STUD M 6X 18 PLATED	1							
29	1	26226-060222	STUD M 6X 22 PLATED	2							
30	1	26366-060002	NUT M 6	3							
31	1	114699-01410	GASKET, CRANK CASE	1							
32	1	114310-01450	COVER(D, CRANK CASE	1							
35	2	114650-02100	BEARING, MAIN	1							1
37	1	114299-35150	PIPE, L.O. INLET	1							
38	1	26106-080352	BOLT M 8X 35 PLATED	16							
39	1	114299-01690	PLUG M16	2							
40	1	114699-01760	CAP ASSY, LO SUPPLY	2							
42	2	114299-01950	O-RING	2							
43	1	22190-160002	WASHER, 16	2							
44	1	114299-02030	RETAINER, BEARING	1							
45	1	114650-02150	BALL BEARING	1							
46	1	24162-152220	NEEDLE, 152220	1							
47	1	24423-355008	SEAL, OIL	1							
48	1	24423-355008	SEAL, OIL	1							
49	1	26106-080122	BOLT M 8X 12 PLATED	1							
50	1	114650-02200	MAIN BEARING US=0.25	1							2
51	1	114650-02210	MAIN BEARING US=0.50	1							3
52	1	183250-39450	SWITCH, OIL PRESSURE	1							

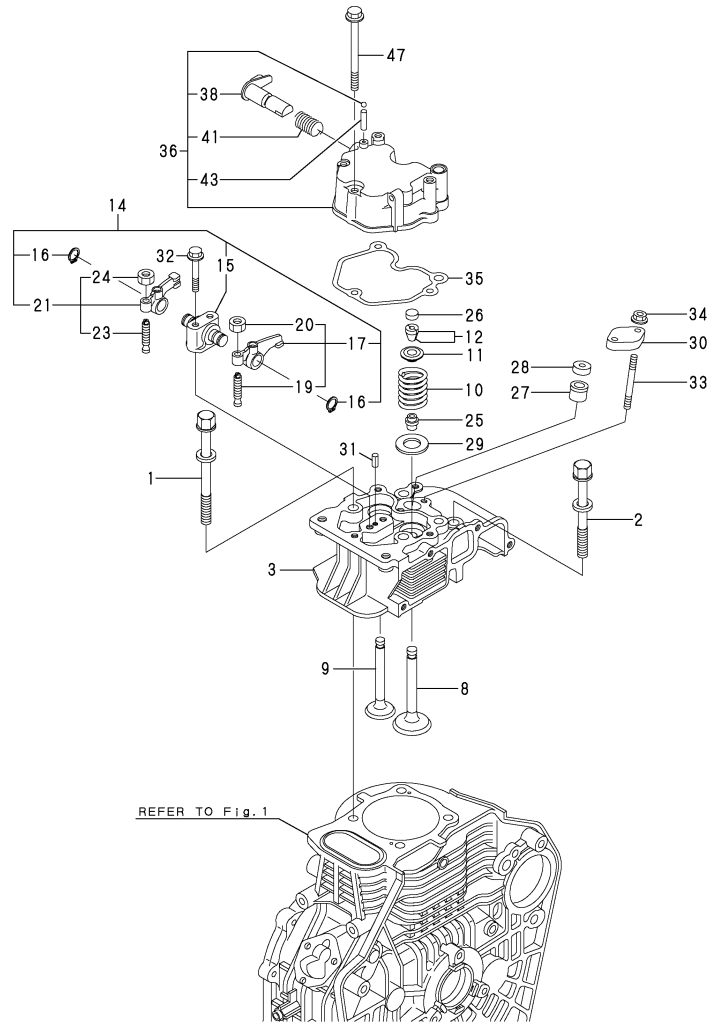
Remarks

(1)REPAIR PART.

(2)UNDER SIZED(U.S.=0.25)PART.

(3)UNDER SIZED(U.S.=0.50)PART.

Fig.2. CYLINDER HEAD & BONNET



(A)=L100V6EJ1C1HAS1

(B)=

(C)=

(D)=

(E)=

(F)=

REF.	LEV.	PARTS NO.	DESCRIPTION	Q'TY						I	R
				(A)	(B)	(C)	(D)	(E)	(F)		
1	1	114310-01200	BOLT, CYL.HEAD A	2							
2	1	114310-01210	BOLT, CYL.HEAD B	2							
3	1	114310-11020	HEAD ASSY, CYLINDER	1							
8	1	114310-11100	VALVE, INTAKE	1							
9	1	114310-11110	VALVE, EXHAUST	1							
10	1	114310-11120	SPRING, VALVE	2							
11	1	114310-11180	RETAINER, SPRING	2							
12	1	114310-11930	COTTER ASSY	2							
14	1	114310-11250	SUPPORT ASSY, ROCKER	1							
15	2	114310-11260	SUPPORT, ROCKER ARM	1							
16	2	114310-11280	C TYPE RETAINING RIN	2							
17	2	114310-11650	ARM ASSY, INTAKE	1							
19	3	114299-11240	SCREW, ADJUSTING	1							
20	3	26856-060002	NUT, M6	1							
21	2	114310-11660	ARM ASSY, EXHAUST	1							
23	3	114299-11240	SCREW, ADJUSTING	1							
24	3	26856-060002	NUT, M6	1							
25	1	114650-11340	SEAL, VALVE STEM	2							
26	1	104211-11370	CAP, VALVE	2							
27	1	114771-11461	GASKET, NOZZLE	1							1
28	1	114295-11470	SPACER, NOZZLE	1							1
29	1	114699-11600	WASHER	2							
30	1	114210-11901	RETAINER, NOZZLE	1							
31	1	22351-040008	SPRING PIN 4X 8	1							
32	1	26106-080502	BOLT M 8X 50 PLATED	2							
33	1	26226-060552	STUD M6X 55 PLATED	2							
34	1	26366-060002	NUT M 6	2							
35	1	114310-11310	GASKET, BONNET	1							
36	1	114310-11950	BONNET ASSY, HEAD	1							
38	2	114210-03590	DECOMPRESSION ASSY	1							
41	2	114299-03640	SPRING, DECOMP.	1							
43	2	22312-030160	PARALLEL PIN, M3X16	1							
47	1	26106-060652	BOLT M 6X 65 PLATED	3							

Remarks

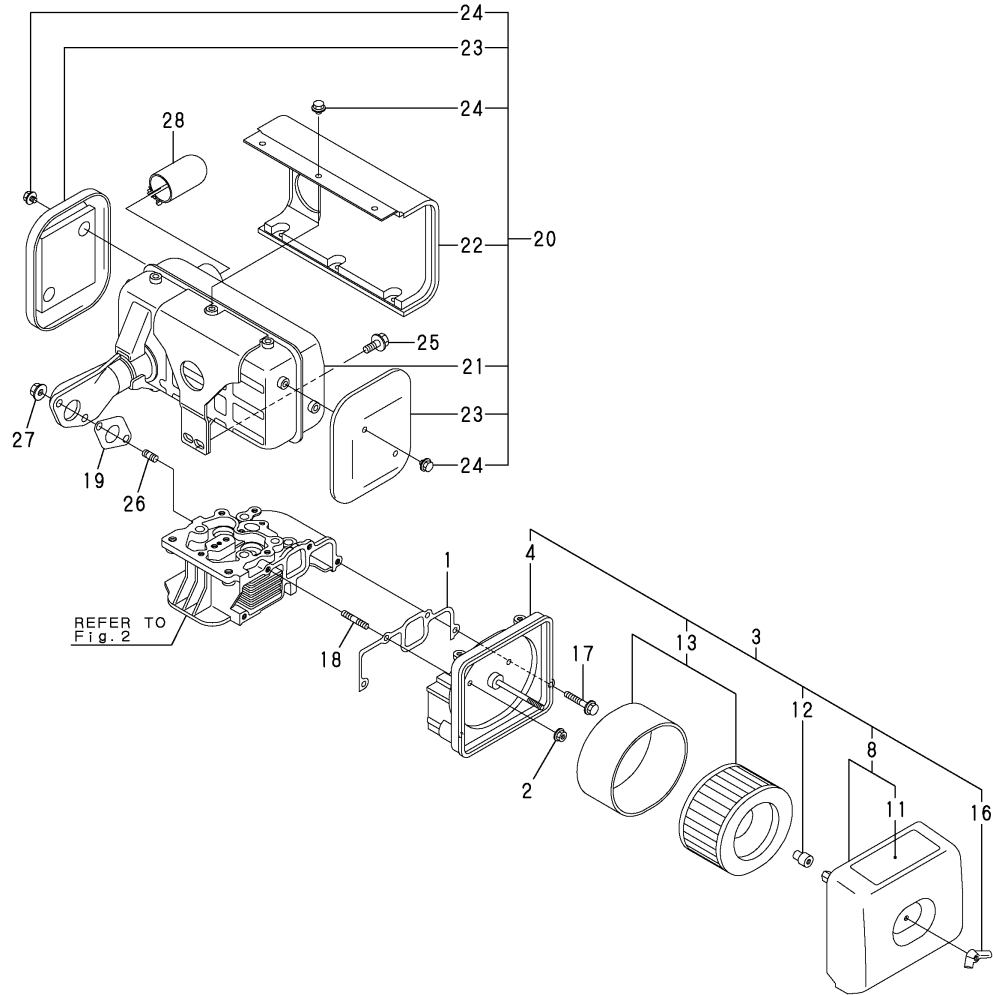
(1)This parts is applied up to the following engine number.

(A)=EM21531

Please refer to Fig.7A since above-mentioned engine number.

Interchangeable by simultaneous replacement with Fig.7A No1,33,63,67, 68 when changing to the new model.

Fig.3. AIR CLEANER & MUFFLER



OCR10-G71900 3. AIR CLEANER & MUFFLER

(A)=L100V6EJ1C1HAS1

(B)=

(C)=

(D)=

(E)=

(F)=

REF.	LEV.	PARTS NO.	DESCRIPTION	Q'TY						I	R
				(A)	(B)	(C)	(D)	(E)	(F)		
1	1	114310-12210	GASKET, AIR CLEANER	1							
2	1	114299-12300	U-NUT	3							
3	1	114310-12511	CLEANER ASSY, AIR	1							
4	2	114310-12010	BODY ASSY, AIR CLNR	1							
8	2	114210-12500	COVER ASSY, AIR CLNR	1							
11	3	114210-12610	LABEL, AIR CLEANER	1							
12	2	114210-12560	NUT, WING	1							
13	2	114210-12590	ELEMENT ASSY	1							
16	2	114210-12600	LOCKING KNOB	1							
17	1	26106-060402	BOLT M 6X 40 PLATED	1							
18	1	26226-060352	STUD M 6X 35 PLATED	3							
19	1	114310-13200	GASKET, MUFFLER	1							
20	1	114699-13552	MUFFLER ASSY	1							
21	2	114699-13562	MUFFLER	1							
22	2	114699-13700	COVER A, MUFFLER	1							
23	2	114699-13710	COVER B, MUFFLER	2							
24	2	114699-13720	BOLT, M6	10							
25	1	26106-080202	BOLT M 8X 20 PLATED	2							
26	1	26216-080182	STUD M 8X 18 PLATED	2							
27	1	26366-080002	NUT M 8	2							
28	1	114699-13800	EXTENSION, EXH.	1							

Fig.4. CRANKSHAFT, PISTON & CAMSHAFT

OCR10-G71900 4. CRANKSHAFT, PISTON & CAMSHAFT

(A)=L100V6EJ1C1HAS1

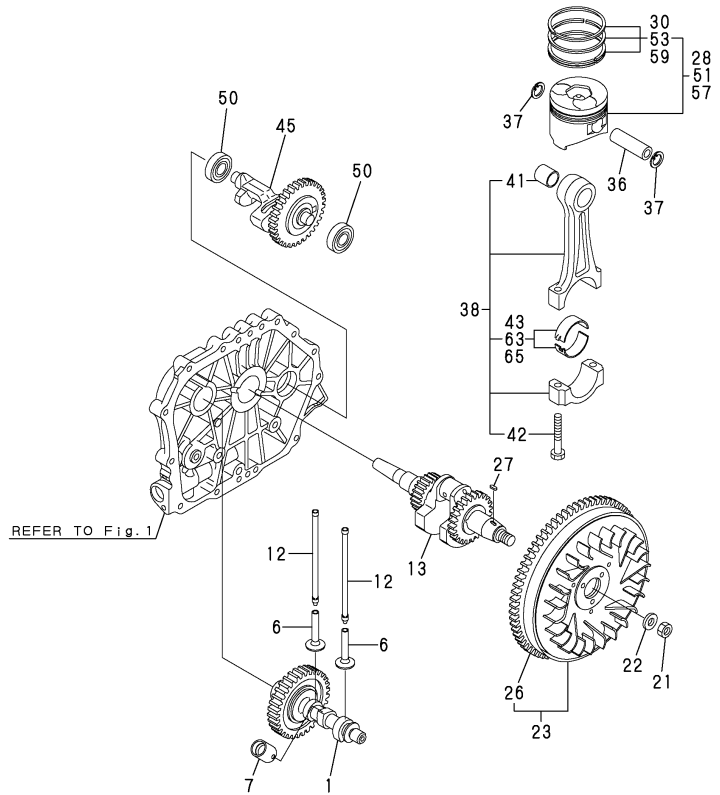
(B)=

(C)=

(D)=

(E)=

(F)=



REF.	LEV.	PARTS NO.	DESCRIPTION	QTY						I	R
				(A)	(B)	(C)	(D)	(E)	(F)		
1	1	714310-14580	CAMSHAFT ASSY	1							
6	1	114310-14200	TAPPET	2							
7	1	114210-14300	TAPPET ASSY, ROLLER	1							
12	1	114310-14400	ROD ASSY, PUSH	2							
13	1	714310-21710	CRANKSHAFT(E-DG ASSY	1							
21	1	114699-21220	NUT	1							
22	1	114699-21550	WASHER, FLYWHEEL	1							
23	1	114699-21600	FLYWHEEL ASSY, DE	1							
26	2	114699-21630	RING, GEAR	1							
27	1	22512-050140	KEY, 5X14	1							
28	1	714310-22720	PISTON W/RINGS (D	1							
30	2	714310-22500	RING SET, PISTON	1							
36	1	114699-22300	PIN, PISTON	1							
37	1	129792-22400	CIRCLIP, 23	2							
38	1	714310-23701	ROD ASSY, CONNECTING	1							
41	2	124060-23100	BUSH, PISTON PIN	1							
42	2	119810-23200	BOLT, CONNECTING ROD	2							
43	2	714650-23600	BEARING, CRANKPIN	1							
45	1	714310-28510	SHAFT ASSY, BALANCER	1							
50	1	24101-063040	BALL BEARING	2							
51	1	714310-22620	PISTON W/RING OS=.25	1							1
53	2	714310-22540	RING SET O.S.=0.25	1							1
57	1	714310-22580	PISTON W/RING OS=0.5	1							2
59	2	714310-22550	RING SET O.S.=0.50	1							2
63	1	714650-23610	BEARING,PIN(U.S.=0.25	1							3
65	1	714650-23620	BEARING,PIN(U.S.=0.50	1							4

Remarks

- (1)OVER SIZED(O.S.=0.25)PART.
- (2)OVER SIZED(O.S.=0.50)PART.
- (3)UNDER SIZED(U.S.=0.25)PART.
- (4)UNDER SIZED(U.S.=0.50)PART.



Fig.5. LUB.OIL PUMP & GOVERNOR

(A)=L100V6EJ1C1HAS1

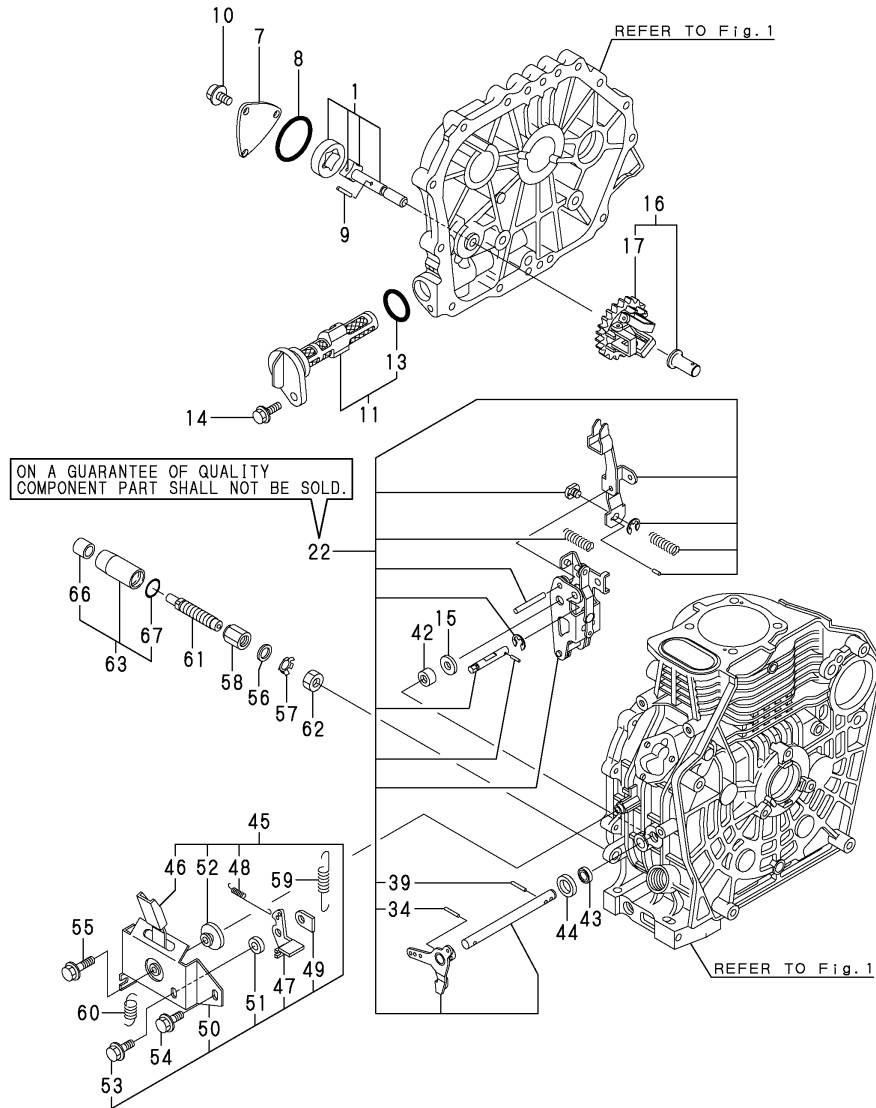
(B)=

(C)=

(D)=

(E)=

(F)=



REF.	LEV.	PARTS NO.	DESCRIPTION	QTY						I	R
				(A)	(B)	(C)	(D)	(E)	(F)		
1	1	114650-32010	PUMP ASSY, LUB.OIL	1							
7	1	114299-32070	COVER, LUB. OIL PUMP	1							
8	1	114299-32570	O-RING, COVER	1							
9	1	22312-030160	PARALLEL PIN, M3X16	1							
10	1	26106-060122	BOLT M 6X 12 PLATED	3							
11	1	114299-35110	FILTER CMP, LUB.OIL	1							
13	2	24341-000224	O-RING 1A S-22.4	1							
14	1	26106-060162	BOLT M 6X 16 PLATED	1							
15	1	114299-61190	WASHER, GOVERNOR	1							
16	1	714210-61701	GOVERNOR ASSY	1							
17	2	114210-61290	WEIGHT ASSY,GOVERNOR	1							
22	1	114310-61500	LEVER ASSY, GOVERNOR	1							
34	2	22322-030200	TAPER PIN, 3X20	1							
39	2	22322-030200	TAPER PIN, 3X20	1							
42	1	114295-61520	NEEDLE BEARING	2							
43	1	114299-61600	SEAL, OIL	1							
44	1	114770-61610	WASHER, THRUST	1							
45	1	114210-66510	BRACKET, REGULATOR	1							
46	2	114210-66300	HANDLE	1							
47	2	183250-66321	LEVER, LOCK	1							
48	2	183250-66331	SPRING, LEVER	1							
49	2	183250-66341	NUT	1							
50	2	114210-66350	BRACKET	1							
51	2	183250-66361	COLLAR, LEVER	1							
52	2	183250-66371	COLLAR	1							
53	2	26106-060162	BOLT M 6X 16 PLATED	1							
54	1	26106-060142	BOLT M 6X 14 PLATED	1							
55	1	26106-060202	BOLT M 6X 20 PLATED	1							
56	1	114295-61810	WASHER, PLAIN 14	1							
57	1	114771-61830	PLATE	1							
58	1	114295-61940	NUT	1							
59	1	114310-66010	SPRING, REGULATOR	1							
60	1	114299-66200	SPRING, RETURN	1							
61	1	114771-66600	LIMITER ASSY, FUEL	1							
62	1	114295-66690	NUT, M14X1.25	1							
63	1	114295-61990	PROTECTOR CMP	1							
66	2	114295-61960	SPACER	1							
67	2	24311-000180	O-RING 1A P-18.0	1							

Fig.6. COOLING & STARTING DEVICE

(A)=L100V6EJ1C1HAS1

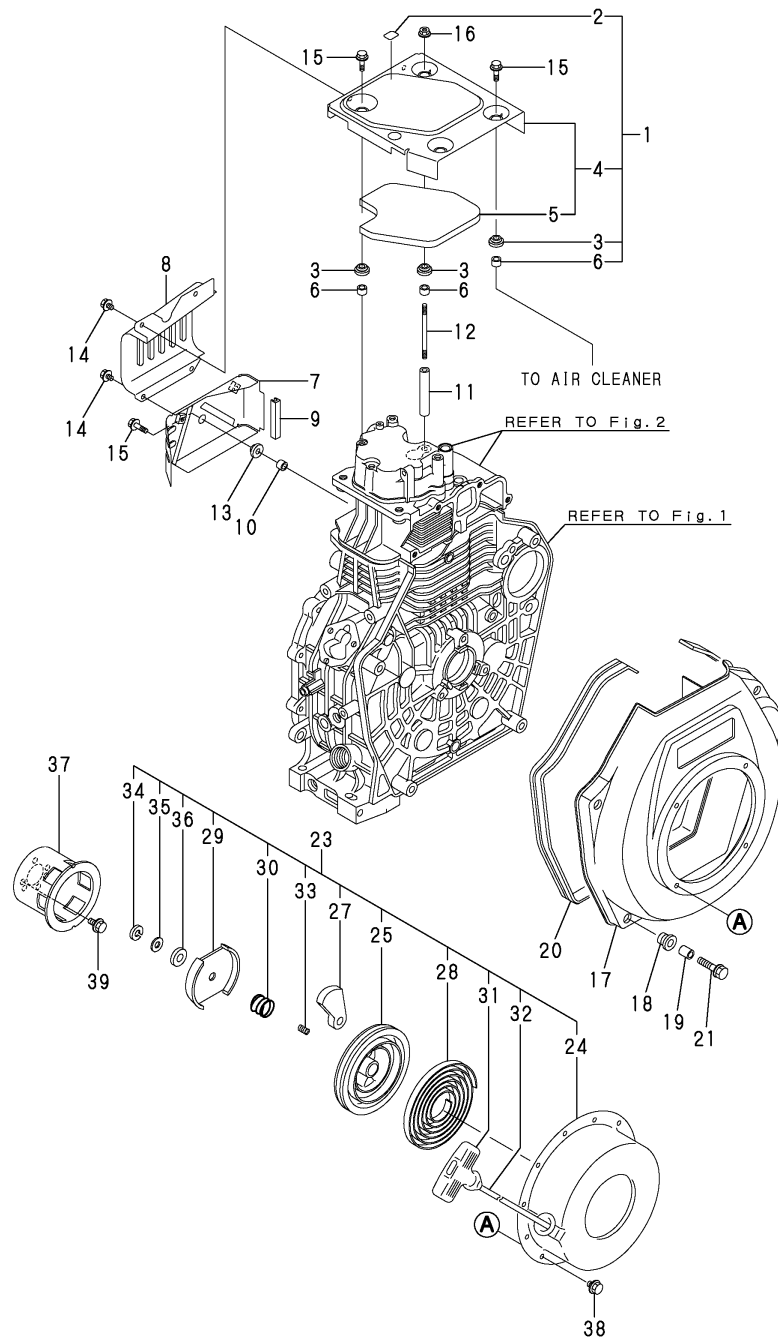
(B)=

(C)=

(D)=

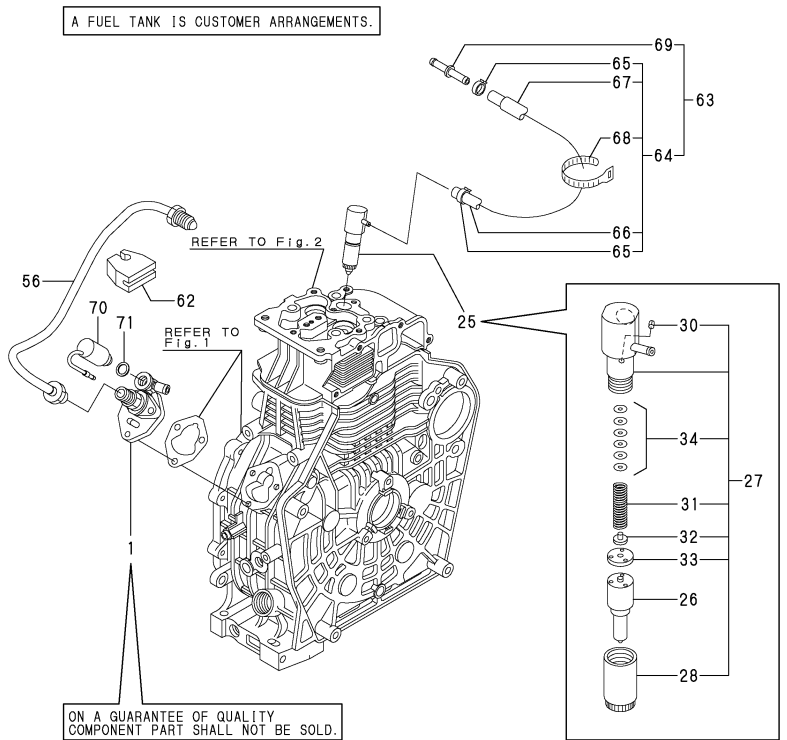
(E)=

(F)=



REF.	LEV.	PARTS NO.	DESCRIPTION	QTY						I	R
				(A)	(B)	(C)	(D)	(E)	(F)		
1	1	714310-45100	TOP COVER, ASSY	1							
2	2	114210-07200	LABEL, DECOMPRESSION	1							
3	2	114299-45220	GROMMET, TANK	4							
4	2	114310-45300	COVER, TOP(BLACK)(13)	1							
5	3	114310-45310	DAMPER	1							
6	2	114399-45340	COLLAR, CYL COVER	4							
7	1	114310-45260	COVER B, SIDE (13)	1							
8	1	114310-45270	COVER A, SIDE (13)	1							
9	1	114399-45320	RUBBER, SEAL	1							
10	1	114399-45340	COLLAR, CYL COVER	1							
11	1	114310-45350	SPACER, TOP COVER	1							
12	1	114310-45360	STUD BOLT, TOP COVER	1							
13	1	114299-45220	GROMMET, TANK	1							
14	1	26106-060082	BOLT M 6X 8 PLATED	4							
15	1	26106-060202	BOLT M 6X 20 PLATED	4							
16	1	26366-060002	NUT M 6	1							
17	1	114310-45100	FAN CASE(SILVER)(17)	1							
18	1	114299-45301	RUBBER, CUSHION	4							
19	1	114299-45310	COLLAR, FAN CASE	4							
20	1	114699-45330	SEAL, FAN CASE	1							
21	1	114299-45350	BOLT, FAN CASE	4							
23	1	114699-76251	RECOIL ASSY	1							
24	2	114699-76510	CASE, STARTER	1							
25	2	114699-76521	REEL, RECOIL	1							
27	2	114699-76531	RATCHET	2							
28	2	114399-76540	SPRING, SPIRAL	1							
29	2	114699-76551	GUIDE, RATCHET	1							
30	2	114699-76560	SPRING, FRICTION	1							
31	2	114399-76620	KNOB, STARTER	1							
32	2	114699-76630	ROPE, STARTER	1							
33	2	114699-76650	SPRING, RETURN	1							
34	2	114699-76660	RETAINING RING	1							
35	2	114699-76670	WASHER	1							
36	2	114699-76680	WASHER IN NYLON	1							
37	1	114699-76592	PULLEY, STARTER	1							
38	1	26106-060082	BOLT M 6X 8 PLATED	4							
39	1	26106-060122	BOLT M 6X 12 PLATED	3							

# Fig.7. FUEL INJECTION PUMP & FUEL INJECTION VALVE



# OCR10-G71900 7. FUEL INJECTION PUMP & FUEL INJECTION VALVE

(A)=L100V6EJ1C1HAS1 (D)=  
 (B)= (E)=  
 (C)= (F)=

REF.	LEV.	PARTS NO.	DESCRIPTION	QTY						I	R
				(A)	(B)	(C)	(D)	(E)	(F)		
1	1	714310-51140	FUEL INJECTION PUMP	1							1
25	1	714310-53100	FUEL INJECTOR	1							1
26	2	114310-53000	NOZZLE ASSY	1							
27	2	114210-53100	HOLDER ASSY,NOZZLE	1							
28	3	114210-53080	NUT,NOZZLE	1							
30	3	114210-53330	PIN	1							
31	3	114210-53120	SPRING,NOZZLE	1							
32	3	114210-53130	SEAT,SPRING	1							
33	3	114210-53140	SPACER ASSY,VALVE	1							
34	3	114210-53400	SHIM SET	1							
56	1	114310-59800	PIPE ASSY, INJECTION	1							
62	1	114699-59850	SUPPORT, PIPE	1							
63	1	114310-59320	PIPE ASSY(A. RETURN	1							1
64	2	114310-59300	PIPE ASSY, RETURN	1							
65	3	124722-59050	CLIP, HOSE	2							
66	3	114310-59060	PIPE, FUEL RETURN	1							
67	3	114310-59310	HOSE, PROTECT	1							
68	3	121750-59890	CLAMP 140	1							
69	2	114210-59710	JOINT,FUEL OIL	1							
70	1	114110-76900	VALVE ASSY, F/O CUT	1							
71	1	114299-83020	GASKET, 10X1.2	1							

**Remarks**

(1)This parts is applied up to the following engine number.  
 (A)=EM21531  
 Please refer to Fig.7A since above-mentioned engine number.  
 Interchangeable by simultaneous replacement with Fig.7A No1,33,63,67, 68 when changing to the new model.

Fig.10. (7A)FUEL INJECTION PUMP & FUEL INJECTION VALVE

(A)=L100V6EJ1C1HAS1

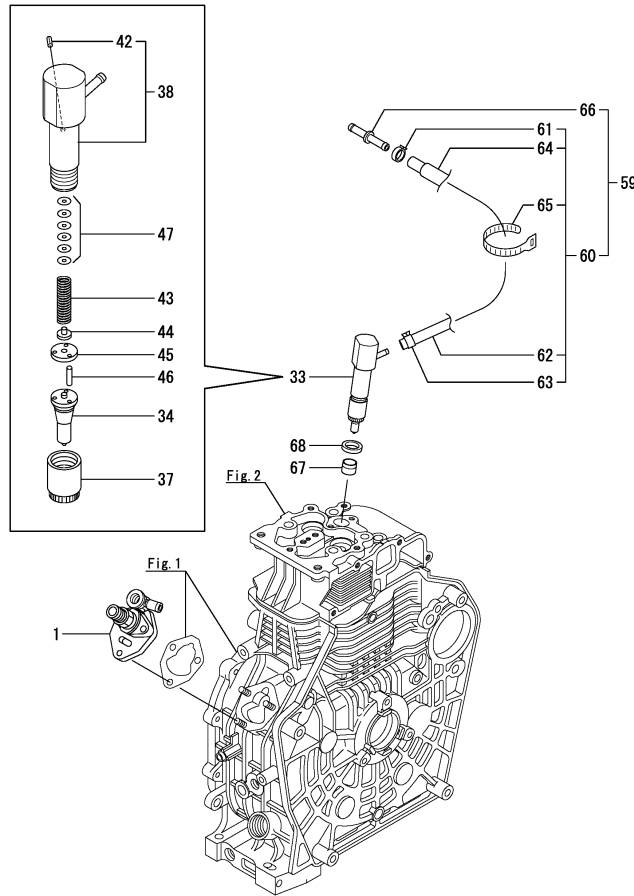
(B)=

(C)=

(D)=

(E)=

(F)=



REF.	LEV.	PARTS NO.	DESCRIPTION	QTY						I	R	
				(A)	(B)	(C)	(D)	(E)	(F)			
1	1	714349-51600 (A=EM21532)	F.I.PUMP ASSY	1							W	1
33	1	714349-53100 (A=EM21532)	FUEL INJECTOR	1								W
34	2	114339-53000	NOZZLE ASSY	1								
37	2	114250-53080	NUT, CASE	1								
38	2	114339-53100	HOLDER ASSY, NOZZLE	1								
42	3	22351-025005	SPRING PIN 2.5AX 6	1								
43	2	114250-53120	SPRING, NOZZLE	1								
44	2	114250-53130	SEAT, SPRING	1								
45	2	114250-53140	PLATE, STOP	1								
46	2	114250-53210	PIN	2								
47	2	114250-53400	SHIM SET	1								
59	1	114339-59350 (A=EM21532)	PIPE ASSY(A, RETURN)	1								W
60	2	114339-59300 (A=EM21532)	PIPE ASSY, RETURN	1								W
61	3	124722-59050	CLIP, HOSE	1								W
62	3	114310-59060 (A=EM21532)	PIPE, FUEL RETURN	1								W
63	3	124066-59100 (A=EM21532)	CLIP, HOSE	1								W
64	3	114310-59310	HOSE, PROTECT	1								W
65	3	121750-59890 (A=EM21532)	CLAMP 140	1								W
66	2	114210-59710 (A=EM21532)	JOINT,FUEL OIL	1								W
67	1	114240-11450 (A=EM21532)	PROTECTOR, NOZZLE	1								W
68	1	114240-11550 (A=EM21532)	SEAT, NOZZLE	1								W

Remarks

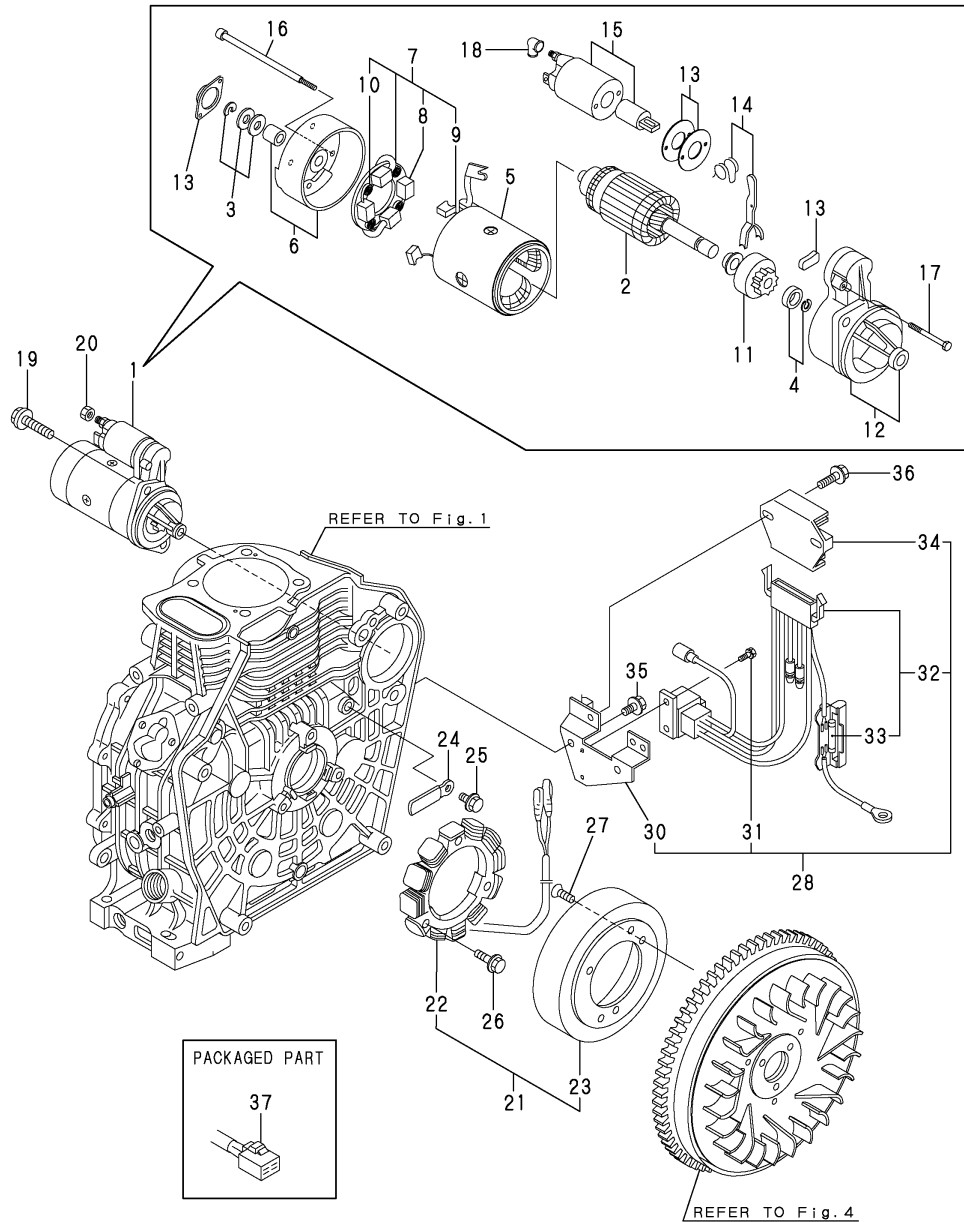
\*Parts of this figure are executed since the following engine number.

\*(A)=EM21532

\*Please refer to Fig.7 before above-mentioned engine number.

(1)On a guarantee of quality component part shall not be sold.

Fig.8. STARTING MOTOR & DYNAMO



(A)=L100V6EJ1C1HAS1

(B)=

(C)=

(D)=

(E)=

(F)=

REF.	LEV.	PARTS NO.	DESCRIPTION	QTY						I	R
				(A)	(B)	(C)	(D)	(E)	(F)		
1	1	114362-77011	STARTER	1							
2	2	114381-77110	ARMATURE	1							
3	2	X2114811000	WASHER KIT, THRUST	1							
4	2	X2114715500	STOPPER SET, PINION	1							
5	2	114381-77130	COIL ASSY, FIELD	1							
6	2	114381-77140	COVER, REAR	1							
7	2	114371-77160	HOLDER ASSY, BRUSH	1							
8	3	114371-79040	BRUSH (-)	2							
9	3	114371-79050	BRUSH (+)	1							
10	3	114371-79060	SPRING, BRUSH	4							
11	2	X211485016	PINION ASSY	1							
12	2	114381-77151	HOUSING ASSY, GEAR	1							
13	2	114371-77170	COVER KIT, DUST	1							
14	2	114371-77180	SHIFT LEVER KIT	1							
15	2	124298-77020	SWITCH, MAGNET	1							
16	2	124195-77770	THROUGH BOLT	2							
17	2	114371-79070	BOLT M 6X 37	2							
18	2	X2114274200	COVER, TERMINAL	1							
19	1	26106-100302	BOLT M10X 30 PLATED	2							
20	1	26716-080002	NUT M 8	1							
21	1	114399-78260	DYNAMO ASSY	1							
22	2	114399-78730	STATOR ASSY	1							
23	2	114399-78740	WHEEL, DYNAMO	1							
24	1	160710-78710	CLAMP, CORD	1							
25	1	26106-060122	BOLT M 6X 12 PLATED	1							
26	1	26106-060202	BOLT M 6X 20 PLATED	3							
27	1	26577-060142	SCREW M 6X 14	3							
28	1	114399-77550	REG. & HARNESS ASSY	1							
30	3	114399-77400	BRACKET, HARNESS	1							
31	3	26023-040102	SCREW, M4X10	2							
32	3	114399-77540	HARNESS, WIRE	1							
33	4	114399-78000	FUSE(20A	2							
34	2	114399-77710	REGULATOR	1							
35	1	26106-060122	BOLT M 6X 12 PLATED	2							
36	1	26106-060202	BOLT M 6X 20 PLATED	2							
37	1	114351-77520	JOINT	1							



## Part Number Index

All parts are stipulated in the order of part numbers.

(Depending on the area in which the part is used.)

This index will display the location of the part according to each part number.

## PARTS No. INDEX

PARTS No.	Fig.	Ref.No.
104211-11370	2	26
114110-07760	9	1
114110-76900	7	70
114210-03590	2	38
114210-07200	6	2
114210-11901	2	30
114210-12500	3	8
114210-12560	3	12
114210-12590	3	13
114210-12600	3	16
114210-12610	3	11
114210-14300	4	7
114210-53080	7	28
114210-53100	7	27
114210-53120	7	31
114210-53130	7	32
114210-53140	7	33
114210-53330	7	30
114210-53400	7	34
114210-59710	7	69
	10	66
114210-61290	5	17
114210-66300	5	46
114210-66350	5	50
114210-66510	5	45
114240-11450	10	67
114240-11550	10	68
114250-01841	1	25
	9	22
114250-53080	10	37
114250-53120	10	43
114250-53130	10	44
114250-53140	10	45
114250-53210	10	46
114250-53400	10	47
114295-11470	2	28
114295-61520	5	42
114295-61810	5	56
114295-61940	5	58
114295-61960	5	66
114295-61990	5	63
114295-66690	5	62
114299-01600	1	12
114299-01690	1	39
114299-01800	1	13
114299-01830	1	24
114299-01950	1	42
	9	24
114299-02030	1	44
114299-03640	2	41

PARTS No.	Fig.	Ref.No.
114299-07110	9	2
114299-07160	9	3
114299-11240	2	19
		23
114299-12300	3	2
114299-32070	5	7
114299-32570	5	8
	9	31
114299-35110	5	11
114299-35150	1	37
114299-45220	6	3
		13
114299-45301	6	18
114299-45310	6	19
114299-45350	6	21
114299-61190	5	15
114299-61600	5	43
114299-66200	5	60
114299-83020	7	71
114299-92590	9	8
114299-92600	9	9
114299-92710	9	10
114299-92720	9	11
114299-92730	9	12
114299-92740	9	13
114310-01010	1	1
114310-01200	2	1
114310-01210	2	2
114310-01450	1	32
114310-11020	2	3
114310-11100	2	8
114310-11110	2	9
114310-11120	2	10
114310-11180	2	11
114310-11250	2	14
114310-11260	2	15
114310-11280	2	16
114310-11310	2	35
	9	28
114310-11650	2	17
114310-11660	2	21
114310-11930	2	12
114310-11950	2	36
114310-12010	3	4
114310-12210	3	1
	9	29
114310-12511	3	3
114310-13200	3	19
	9	30
114310-14200	4	6

PARTS No.	Fig.	Ref.No.
114310-14400	4	12
114310-45100	6	17
114310-45260	6	7
114310-45270	6	8
114310-45300	6	4
114310-45310	6	5
114310-45350	6	11
114310-45360	6	12
114310-53000	7	26
114310-59060	7	66
	10	62
114310-59300	7	64
114310-59310	7	67
	10	64
114310-59320	7	63
114310-59800	7	56
114310-61500	5	22
114310-66010	5	59
114339-53100	10	38
114339-59300	10	60
114339-59350	10	59
114349-53000	10	34
114351-77520	8	37
114362-77011	8	1
114371-77160	8	7
114371-77170	8	13
114371-77180	8	14
114371-79040	8	8
114371-79050	8	9
114371-79060	8	10
114371-79070	8	17
114381-77110	8	2
114381-77130	8	5
114381-77140	8	6
114381-77151	8	12
114399-45320	6	9
114399-45340	6	6
		10
114399-76540	6	28
114399-76620	6	31
114399-77400	8	30
114399-77540	8	32
114399-77550	8	28
114399-77710	8	34
114399-78000	8	33
114399-78260	8	21
114399-78730	8	22
114399-78740	8	23
114650-02100	1	35
114650-02150	1	45

PARTS No.	Fig.	Ref.No.
114650-02200	1	50
114650-02210	1	51
114650-11340	2	25
	9	26
114650-32010	5	1
114695-01330	1	5
	9	15
114699-01380	1	11
	9	21
114699-01410	1	31
	9	23
114699-01760	1	40
114699-11600	2	29
114699-13552	3	20
114699-13562	3	21
114699-13700	3	22
114699-13710	3	23
114699-13720	3	24
114699-13800	3	28
114699-21220	4	21
114699-21550	4	22
114699-21600	4	23
114699-21630	4	26
114699-22300	4	36
114699-45330	6	20
114699-59850	7	62
114699-76251	6	23
114699-76510	6	24
114699-76521	6	25
114699-76531	6	27
114699-76551	6	29
114699-76560	6	30
114699-76592	6	37
114699-76630	6	32
114699-76650	6	33
114699-76660	6	34
114699-76670	6	35
114699-76680	6	36
114770-61610	5	44
114771-11461	2	27
	9	27
114771-61830	5	57
114771-66600	5	61
119810-23200	4	42
121750-59890	7	68
	10	65
124060-23100	4	41
124066-59100	10	63
124195-77770	8	16
124298-77020	8	15



MODEL : L100V6EJ1C1HAS1  
PC NO : 0CR10-G71900

## PARTS No. INDEX

PARTS No.	Fig.	Ref.No.
124722-59050	7	65
	10	61
129792-22400	4	37
160710-78710	8	24
183250-07480	9	4
183250-39450	1	52
183250-66321	5	47
183250-66331	5	48
183250-66341	5	49
183250-66361	5	51
183250-66371	5	52
714210-61701	5	16
714310-14580	4	1
714310-21710	4	13
714310-22500	4	30
714310-22540	4	53
714310-22550	4	59
714310-22580	4	57
714310-22620	4	51
714310-22720	4	28
714310-23701	4	38
714310-28510	4	45
714310-45100	6	1
714310-51140	7	1
714310-53100	7	25
714310-92640	9	14
714349-51600	10	1
714349-53100	10	33
714650-23600	4	43
714650-23610	4	63
714650-23620	4	65
X2114274200	8	18
X2114715500	8	4
X2114811000	8	3
X211485016	8	11

PARTS No.	Fig.	Ref.No.
-----------	------	---------

PARTS No.	Fig.	Ref.No.
-----------	------	---------

PARTS No.	Fig.	Ref.No.
-----------	------	---------



***YANMAR CO.,LTD.***