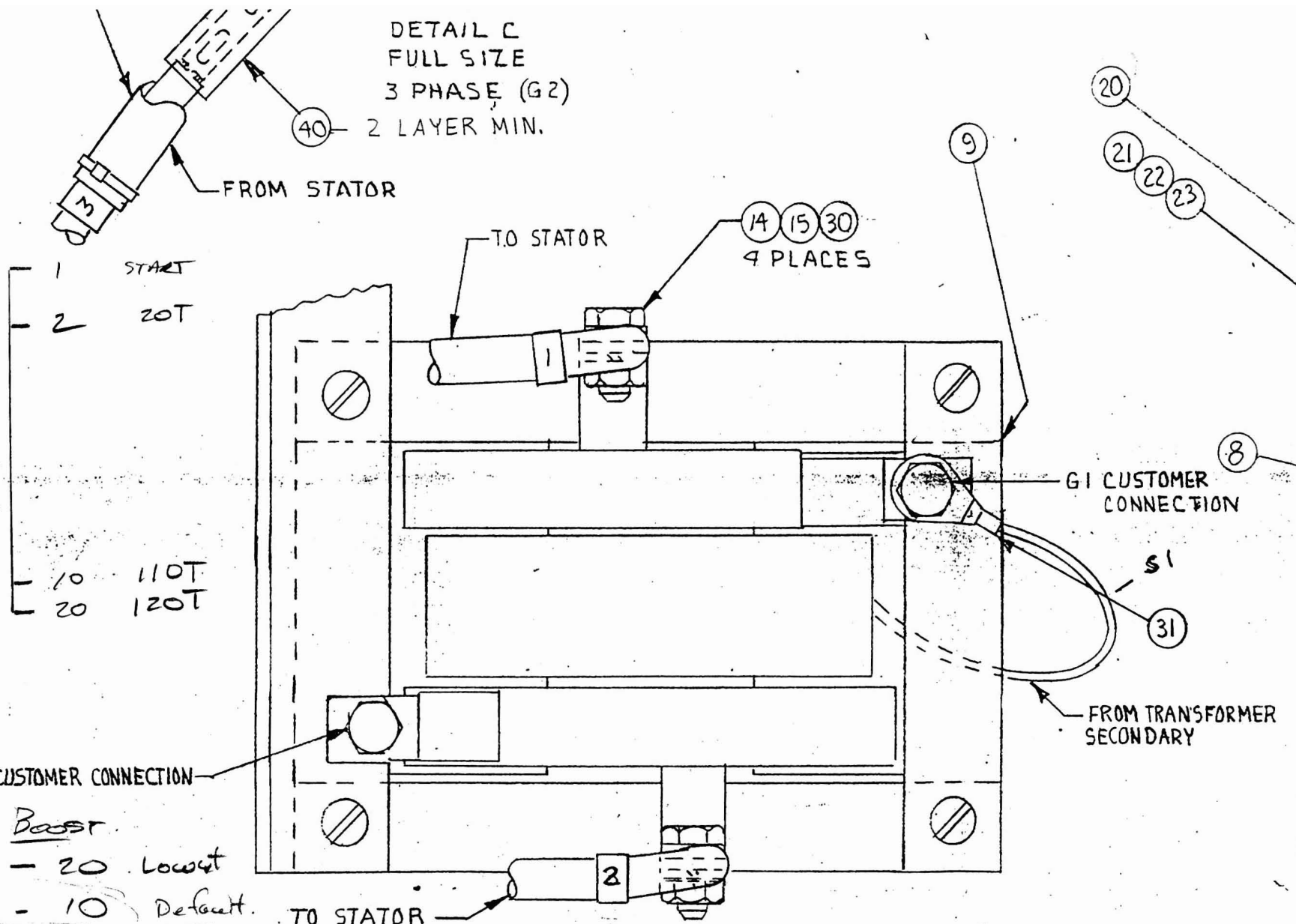


TEST INSTRUCTION

4. If only the no load voltage is low, increase the transformer air gap. If the full load voltage is low or if the no load and full load voltage are low, change the tap on the transformer. The full load voltage can be increased in four steps by using the transformer taps as follows:

- a) Taps 20 and 1 lowest full load voltage
- b) Taps 10 and 1
- c) Taps 20 and 2-
- d) Taps 10 and 2 highest full load voltage

The schematic for the single phase and 3 phase PTO units are shown on the next page.



DETAIL A (FULL SIZE)

TYPICAL LEAD TO TRANSFORMER - PRIMARY CONNECTION

- Boost
- S1 - 20 Lowest
 - S1 - 10 Default
 - S2 - 20
 - S2 - 10 Highest