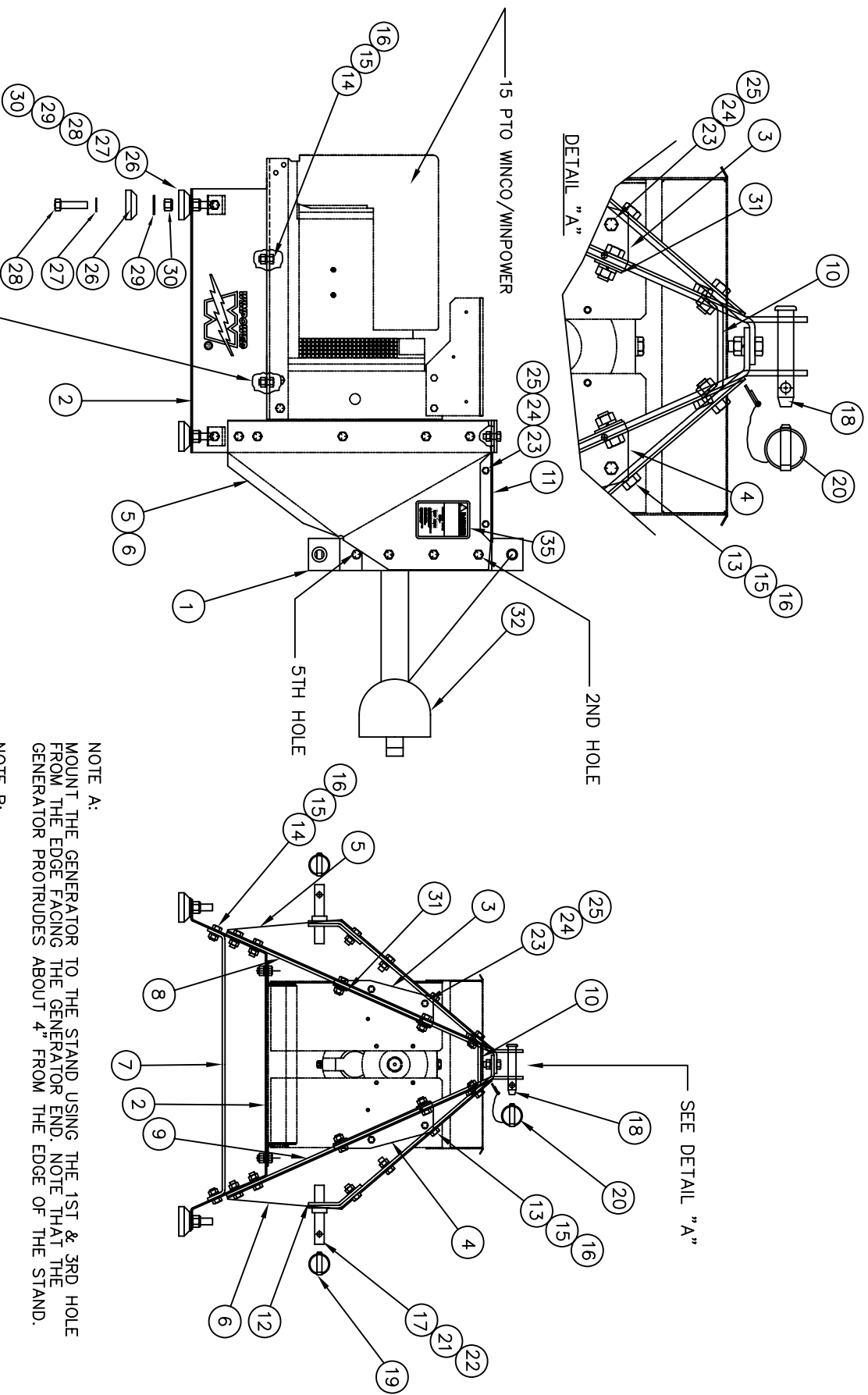


ISSUE	E.C.O. NO.	DESCRIPTION	DATE	BY	APPR.
A	---	ORIGINAL	---	---	---
B	1018-05	ADDED INSTRUCTIONS LINE 5.	11-05-03	MTH	MTH
C	1227-06	ADDED NOTE A, B, C & D. LINE(3) WAS(4). ADDED LINE(9). EDITED LINES (6)-(8) (11)-(14) (6) & (7) ADDED TO INSTRUCTIONS. EDITED GEN DWG, SHOWED LOCATION OF HOLES & PTO INFO ON SIDE VIEW. SHOWED (2) (5) & (6) ON FRONT VIEW. EDITED RUBB ISOLATOR ASSY ON DWG. 12-18-06	12-18-06	DGM	PJT
D		ITEM 33 WAS 100054-629	12/03/07	RJB	

- ASSEMBLY INSTRUCTIONS: - REFERENCE NOTE > LEFT / RIGHT AS VIEWED FROM BEHIND GENERATOR <
- ASSEMBLE (4) RUBBER ISOLATORS (2) TO STAND (2) W/ (4) 5/8 X 1 1/2 HHCS, (4) ELASTIC STOP NUTS 5/8"-11 NC, (4) 5/8" WASHERS & (4) FLAT WASHERS.
  - ASSEMBLE (2) THE STRAPS (7) TO STAND (2) W/ (4) 1/2 X 1 HHCS - NUTS & LW.
  - REMOVE AND DISCARD PTO GUARD AND HARDWARE FROM GENERATOR ASSEMBLY.
  - ASSEMBLE GENERATOR TO STAND (2) W/ (4) 1/2 X 1 HHCS - NUTS & LW. SEE NOTE "A".
  - IDENTIFY ITEMS (8) & (9) - THEY ARE SHAPED THE SAME, BUT ITEM (8) IS 1/4" LONGER THAN ITEM (9).
  - JOIN RT. (8) & LT. (9) MOUNTING BRACKETS TO RT. (8) & LT. (9) REAR STRAPS W/ (4) 1/2 X 1 1/4 HHCS - NUTS & LW. SEE NOTE "B".
  - MOUNT THE COMBINATION OF RT. (8) & LT. (9) MOUNTING BRACKETS TO STAND (2) W/ (4) 1/2 X 1 1/4 HHCS - NUTS & LW. SEE NOTE "B".
  - ATTACH RT. (8) & LT. (9) REAR MFG. STRAPS TO EACH OTHER AT THE TOP W/ (1) 1/2 X 1 1/4 HHCS - NUT & LW. SEE NOTE "B". THE HOLES WILL ALIGN AT THE TOP.
  - TORQUE THE ASSEMBLY TO THE GENERATOR USING RT. (8) & LT. (9) MOUNTING BRACKETS W/ (4) 3/8 X 1 HHCS - NUTS & LW. SEE LINE 10 FOR TORQUE INSTRUCTIONS.
  - TORQUE HARDWARE: 29-31 FOOT-POUNDS
  - 3/8" HARDWARE: 70-75 FOOT-POUNDS
  - 1/2" HARDWARE: 70-75 FOOT-POUNDS
  - INSTALL RT. (6) & LT. (5) TRANSITION PCS ON RT. (8) & LT. (9) REAR STRAPS W/ (10) 1/2 X 1 1/4 HHCS - NUTS & LW. SEE NOTE "B" & "C".
  - INSTALL (2) FRONT MOUNTING STRAPS (1) TO TRANSITION PCS (8) & (9) W/ (6) 1/2 X 1 1/4 HHCS - NUTS & LW. SEE NOTE "B" & "D".
  - INSTALL (2) FILTERS (2) ON LOWER INSIDE SURFACE OF FRT. MFG. STRAPS (1) W/ (2) 1/2 X 1 1/4 HHCS - NUTS & LW. SEE NOTE "B".
  - MOUNT COVER (1) ON THE INSIDE SURFACE OF FRONT STRAP (1) W/ (4) 3/8 X 1 HHCS - NUTS & LW AND FRONT FRAME TIE (10) USING 1/2 BOLTS.
  - TORQUE HARDWARE:
  - 3/8" HARDWARE: 29-31 FOOT-POUNDS
  - 1/2" HARDWARE: 70-75 FOOT-POUNDS
  - INSTALL LOWER LIFT PINS (17) W/ LATCH PINS (19) PROVIDED FOR EACH SIDE AS SHOWN ON DRAWING.
  - INSTALL TOP LINK PIN (18) W/ CHAINED LATCH PIN (20) ANCHORED W/ COTTER PIN IN HOLE PROVIDED ON FRONT MOUNTING STRAP (1) AS SHOWN ON DETAIL "A".



NOTE A:  
MOUNT THE GENERATOR TO THE STAND USING THE 1ST & 3RD HOLE FROM THE EDGE FACING THE GENERATOR END. NOTE THAT THE GENERATOR PROTRUDES ABOUT 4" FROM THE EDGE OF THE STAND.

NOTE B:  
MOUNT LOOSELY AND DO NOT TIGHTEN.

NOTE C:  
AN EXTRA PERSON MAY BE NEEDED FOR ASSEMBLY. RT. (8) & LT. (9) TRANSITION PCS SHOULD BE THE MOST OUTER.

NOTE D:  
ALL THE HOLES MAY NOT BEING USED. BOLT ONLY THE 2ND & 5TH HOLE FROM TOP. SHOWN IN THE SIDE VIEW.

ITEM	PART NO	QUAN.	DESCRIPTION
36*	A-TPH130-101	1	INSTRUCTION SHEET
35	300235	1	DECAL INSTALLATION
34	300062-7	1	SHIPPING CARTON
33*	BS6	1	BAG (8 X 10)
32	300228	1	TUMBLE BAR
31*	21867-000	4	WASHER, 1/2
30*	95468-000	4	HN, ELASTIC STOP 5/8-11NC
29*	515-000	4	WASHER 5/8
28*	A-91083-001	4	HHCS 5/8-11 X 1 1/2
27*	A-97627-001	4	WASHER, FLAT
26**	300212	4	ISOLATOR, RUBBER
25*	A-92914-000	8	HN 3/8-16NC
24*	A-481-000	8	SLW 3/8
23*	A-91658-001	8	HHCS 3/8-16 X 1
22**	REF.	2	HN 7/8-14NF (350470)
21**	REF.	2	SLW 7/8 (350020)
20**	300211	1	PIN, LYNCH W/CHAIN
19**	300210	2	PIN, LYNCH
18**	300209	1	PIN, TOP LINK
17**	300208	2	PIN, DRAW
16*	1744-000	27	HN 1/2-13NC
15*	636-000	27	SLW 1/2
14*	48178-000	8	HHCS 1/2-13 X 1
13*	A-1516-000	19	HHCS 1/2-13 X 1-1/4
12**	300207	2	FILLER
11**	300206	1	COVER
10**	300205	1	TIE, FRONT FRAME
9	300204	1	STRAP, REAR LEFT SIDE - (SHORTER - 27")
8	300203	1	STRAP, REAR RIGHT SIDE - (LONGER - 27-1/4")
7	300202	2	STRAP, TIE
6	300201-2	REF	TRANSITION, RIGHT
5	300201-1	REF	TRANSITION, LEFT
4**	300200-2	REF	BRACKET, MFG. LT.
3**	300200-1	REF	BRACKET, MFG. RT.
2	300199	1	STAND
1	300197	2	STRAP, FRONT

UNLESS OTHERWISE SPECIFIED	FRACTIONS ±	ANGULAR	MACHINED SURFACE TEXTURE	ALL DIMENSIONS GIVEN IN INCHES
1. PLACE DEC. ±	.1	± 1.5°		WORK TO DIMENSIONS
2. PLACE DEC. ±	.015			- DO NOT SCALE -
3. PLACE DEC. ±	.005			

DRAWN BY		DATE	CHK'D BY	DATE	APP'D BY	DATE	SCALE
R.D.L.		3-29-99	SV	4-16-99	SV	4-16-99	1=14
MATERIAL:		TITLE					
FINISH		KIT, PTO - CAT.1 - 3PT					
ASS'Y		SMALL PTO'S					
MODEL		PART NO. B-TPH130-101					

THIS DRAWING CONTAINS PROPRIETARY INFORMATION BELONGING TO WINPOWER. UNAUTHORIZED USE IS PROHIBITED.

ALL ITEMS NOTED WITH \* ARE INCLUDED IN A BAG OF BOLTS, P/N TPH130-1.  
ALL ITEMS NOTED WITH \*\* ARE INCLUDED IN A BAG OF PARTS, P/N TPH130-2.  
\*\*\* REFER TO KIT 300200  
\*\*\*\* REFER TO KIT 300201