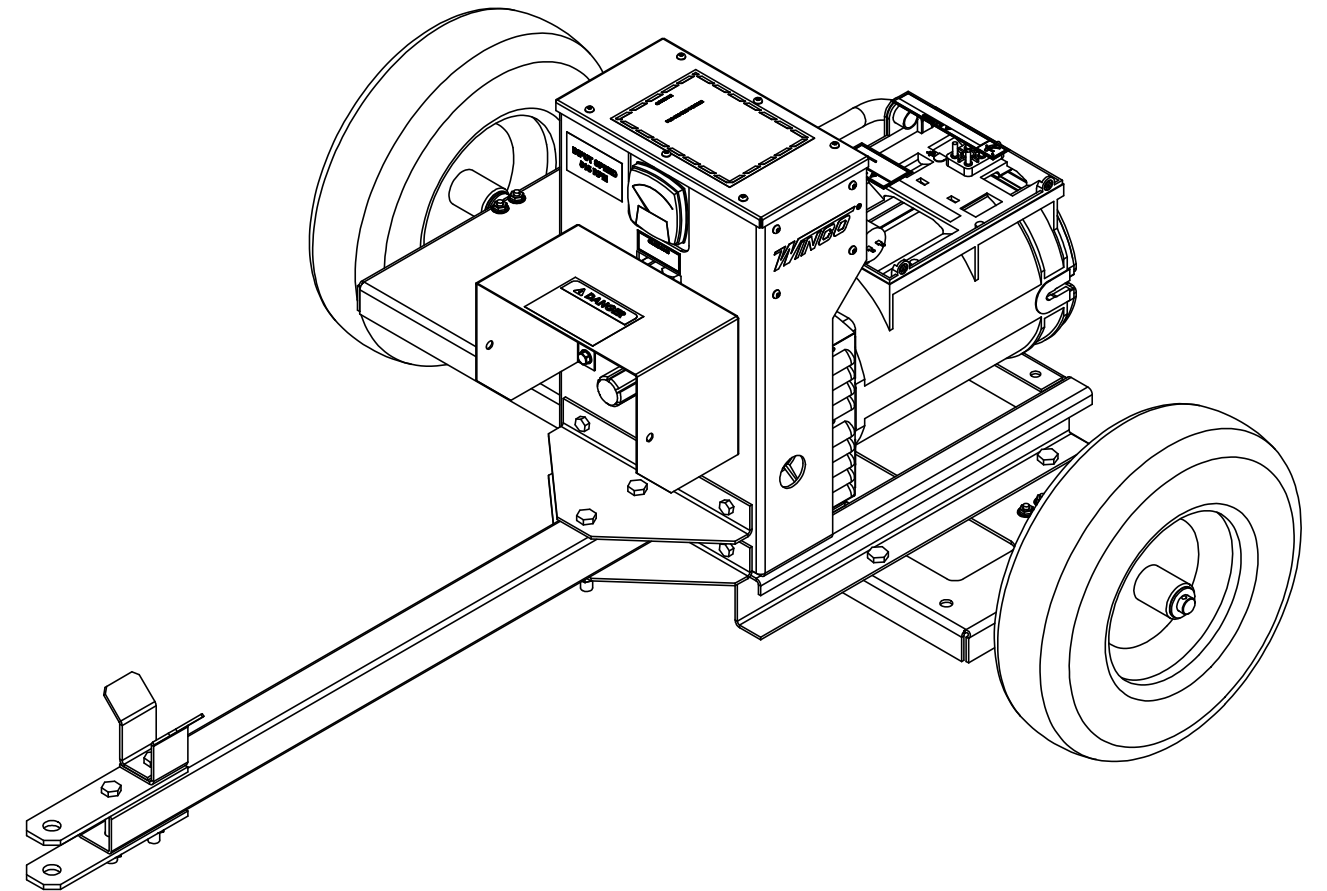
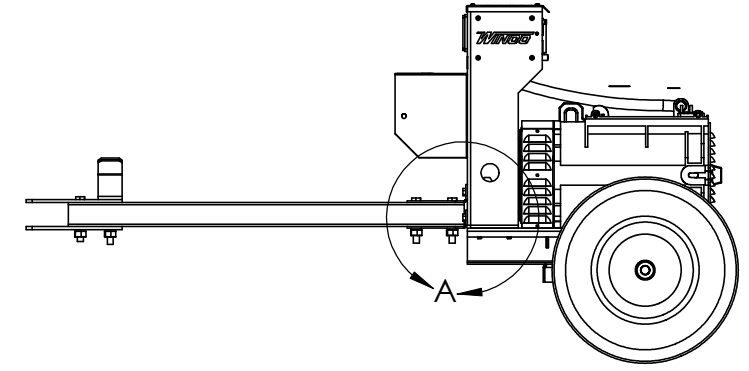
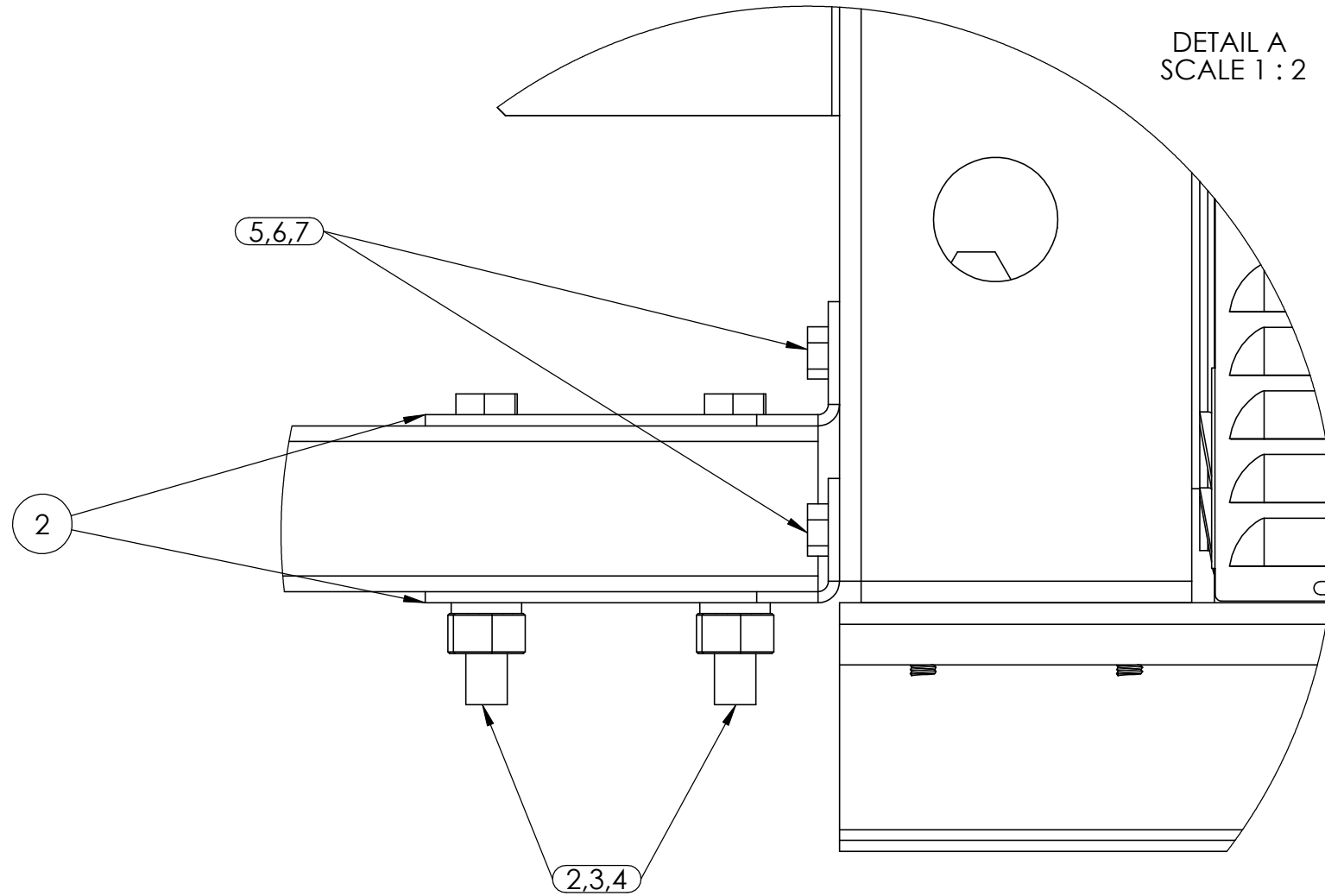


300081-2 SHT2



ITEM NO.	PartNo	DESCRIPTION	QTY.
1	300081-2	TONGUE SUPPORT	2
2	57580-002	HHCS .5-13X3.5	2
3	636-000	LOCK WASHER .5 SPLIT	2
4	1744-000	HEX NUT .5-13	2
5	91658-001	HHCS .375-16X1	4
6	481-000	LOCK WASHER .375 SPLIT	4
7	92914-000	HEX NUT .375-16	4

UNLESS OTHERWISE SPECIFIED				MACHINED SURFACE TEXTURE		ALL DIMENSIONS GIVEN IN INCHES WORK TO DIMENSIONS FLAT OUTSIDE VIEW SHOWN UNLESS NOTED -DO NOT SCALE-				
FRACTIONS	ANGULAR									
1 PLACE DEC. .1	1.5									
2 PLACE DEC. .015										
3 PLACE DEC. .005										
	DRAWN BY	DATE	CHK'D BY	DATE	ENG APPR.	DATE	SCALE			
	RLC	3/22/2011								
THIS DRAWING CONTAINS PROPRIETARY INFORMATION BELONGING TO WINCO. UNAUTHORIZED USE IS PROHIBITED	MATERIAL:									
	FINISH:									
	ASSY:									
	MODEL:	TDM75 MOD.								
		PART NO.	300081-2 SHT2	REV.	A					
		TITLE:		ADAPTER BRACKET INSTALL						