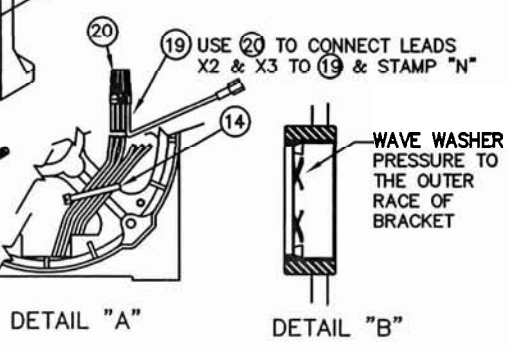
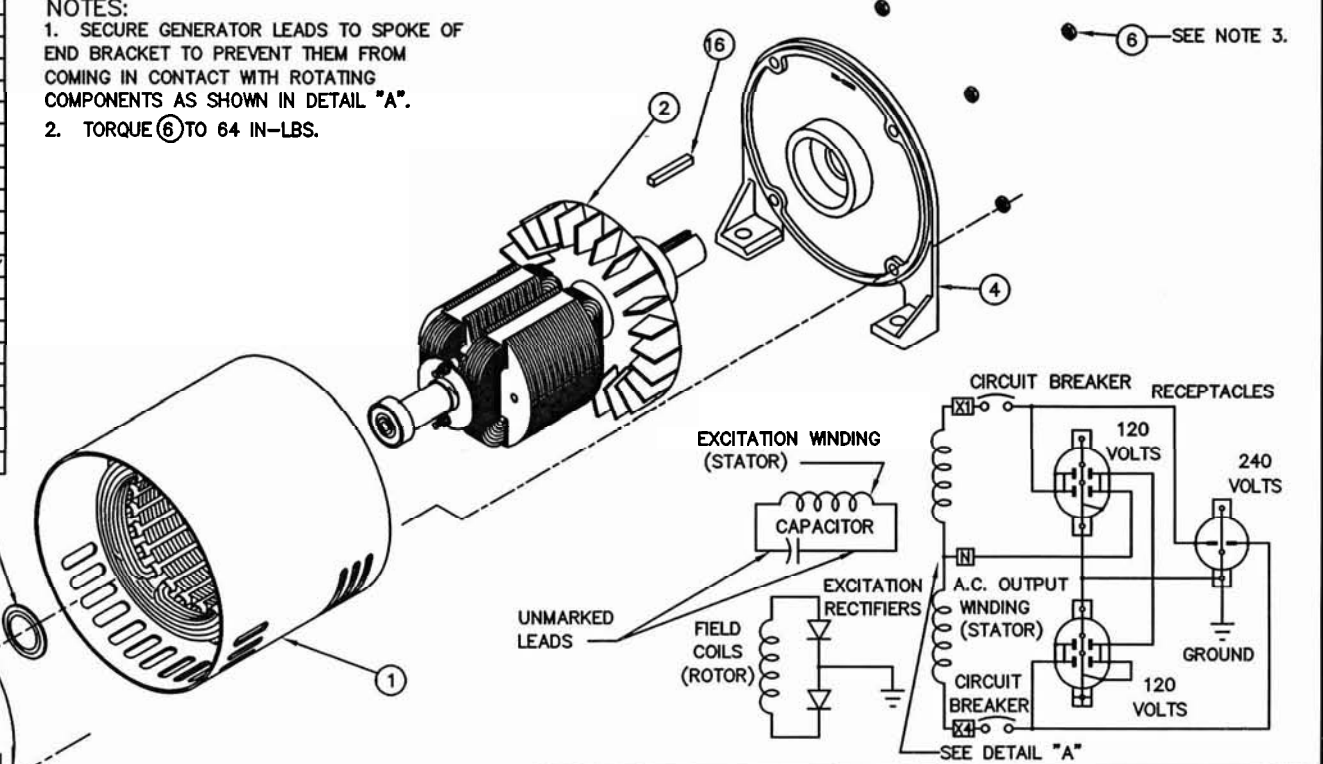
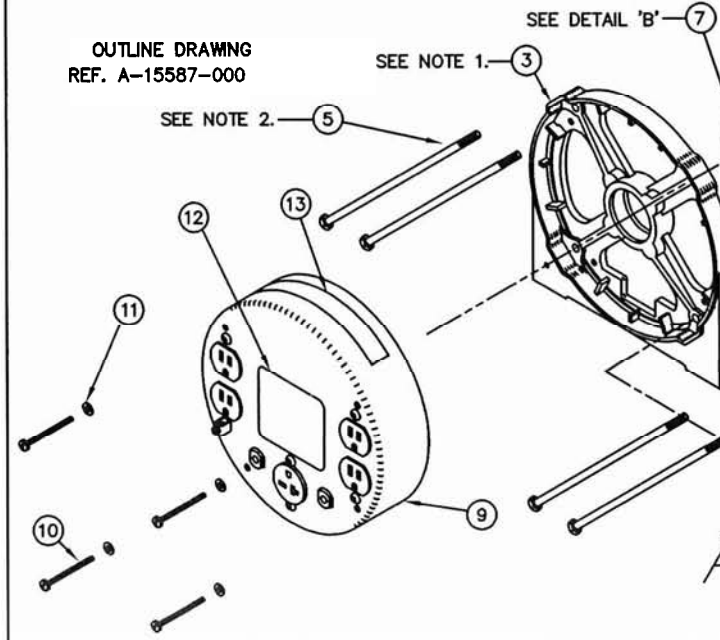


XXX-68991-B

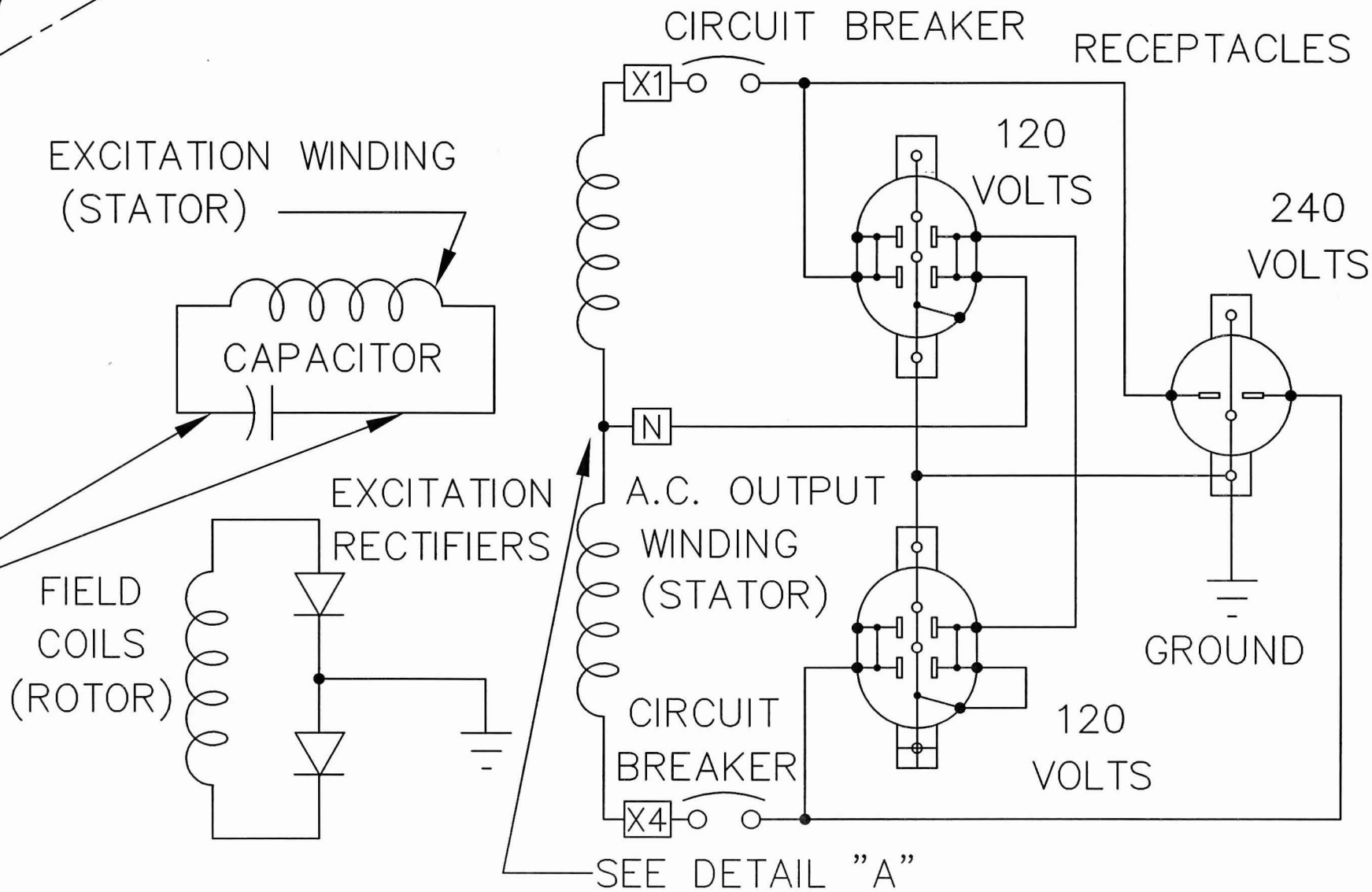
PART NO.	MODEL	ITEM (1)	ITEM (3)	ITEM (4)	ITEM (9)	ITEM (18)	QTY. (19)	QTY. (20)	ISSUE	E.C.O. NO.	REVISION RECORD	DATE	BY	APPR.
B-15589-000	TB6000C/A	B-15589-000	A-15561-000	B-15577-000	B-15049-002	60701-108	NONE	NONE	11	291-99	DESCRIPTION			
B-15589-001	TB6000C/A	B-15589-000	A-15561-000	B-15577-000	B-15049-005	60701-113	NONE	NONE	12	142-00	12 WAS -000	11-04-99	BN	SV
B-15589-002	TB6000C/B	B-15622-000	A-15561-001	B-15577-002	B-15049-005	60701-113	1	1	12	142-00	8) WAS 479, 6 WAS 638	6-30-00	BN	SV
B-15589-003	TB6000C/C	B-15622-000	A-15561-001	B-15577-002	B-16342-000	60701-113	1	1	13	032-03	ADDED 15589-003	3/12/03	J.L.	SV
									14	057-07	ITEM 12 WAS A-63966-003	11/28/06	BMK	PJT

ITEM	PART NO	QUAN.	DESCRIPTION
1	SEE TABLE	1	STATOR ASSEMBLY
2	B-15592-000	1	ROTOR ASSEMBLY
3	SEE TABLE	1	BEARING BRACKET ASSEMBLY
4	SEE TABLE	1	DRIVE END BRACKET ASSEMBLY
5	B-15530-004	4	1/4-20 THROUGH BOLT - 12.125" LONG
6	16248-000	4	1/4-20 FLANGE NUT
7	A-16174-000	1	WAVE WASHER
8			
9	SEE TABLE	1	END COVER ASSEMBLY
10	A-15013-000	4	10-32 X 3.5 RD. HD. MACHINE SCREW
11	21975-000	4	#10 INT. TOOTH LOCKWASHER
12	A-63966-007	1	NAMEPLATE
13	B-15209-000	1	DANGER DECAL SET, USE B-15209-003 ONLY
14	A-49975-011	1	CABLE TIE
15	B-100,047-886	1	SHIPPING CARTON
16	A-44208-000	1	.25" X 1.75" SQUARE KEY
17	60706-098	1	OPERATORS MANUAL
18	SEE TABLE	1	PARTS LIST
19	A-91845-012	SEE TABLE	LEADWIRE ASSEMBLY
20	A-96936-008	SEE TABLE	WIRE NUT
21	100054-644	1	INNER PACK LINER
22	24049-000	2	CARRIAGE BOLT (NOT SHOWN)

NOTES:  
 1. SECURE GENERATOR LEADS TO SPOKE OF END BRACKET TO PREVENT THEM FROM COMING IN CONTACT WITH ROTATING COMPONENTS AS SHOWN IN DETAIL "A".  
 2. TORQUE (6) TO 64 IN-LBS.



UNLESS OTHERWISE SPECIFIED		MACHINED SURFACE TEXTURE		ALL DIMENSIONS GIVEN IN INCHES			
FRACTIONS ±		ANGULAR ± 1.5°		WORK TO DIMENSIONS			
1. PLACE DEC. ± .1				- DO NOT SCALE -			
2. PLACE DEC. ± .03							
3. PLACE DEC. ± .005							
THIS DRAWING CONTAINS PROPRIETARY INFORMATION BELONGING TO WINCO. UNAUTHORIZED USE IS PROHIBITED.	DRAWN BY D.M.W.	DATE 7-24-96	CHKD BY	DATE	APPD BY SV	DATE 3-13-03	SCALE 1=4
MATERIAL:			TITLE GENERATOR COMPLETE				
FINISH			MODEL SEE TABLE				
ASSY			PART NO. B-15589-XXX				
WINCO INCORPORATED							



TB 6000 C / A, B, C