

DX4500/A, DX4500E/A, DX6000E/A			4500	4500E	6000E		
REF#	DESCRIPTION	PART #	QTY	QTY	QTY		
1	110	ENG-BRIGGS #195432	64090-000	1	---	---	1
2		ENG-BRIGGS #195437	64092-000	---	1	---	2
3		ENG-BRIGGS #254427	64128-000	---	---	1	3
4							4
5	127	MOUNTING STRAP	64045-001	---	---	2	5
6							6
7	201	GROUND TERMINAL	64211-000	1	1	1	7
8	210	GROUND STRIP	41387-009	1	1	1	8
9	211	GROUND STRIP	41387-015	4	4	4	9
10	212	BACK PANEL	64035-000	1	1	1	10
11	223	STARTER SWITCH	2210-000	1	1	1	11
12	230	DC PANEL ASSY	64161-000	---	1	1	12
13							13
14	240	AC PANEL ASSY DX-TF	64098-000	1	1	1	14
15	249	FRONT PANEL	64031-000	1	1	1	15
16							16
17	252	RECEPT NEMA 5-15R	24749-000	2	2	2	17
18	255	RECEPT NEMA 5-50R	54545-000	1	1	1	18
19	263	RECEPT NEMA 6-30R	64179-000	1	1	1	19
20	294	ROCKER SWITCH SPST	64089-000	1	1	1	20
21							21
22	401	FAN ASSY	55101-000	1	1	1	22
23	402	STUD (THRU BOLT)	23197-022	1	1	---	23
24		STUD (THRU BOLT)	23197-011	---	---	1	24
25	411	END BRACKET-DIECAST	64018-000	1	1	1	25
26	430	ARM & BEARING ASSY	64301-000	1	1	---	26
27		ARM & BEARING ASSY	64146-000	---	---	1	27
28	432	BEARING 6203-2RS	55223-000	1	1	1	28
29							29
30	440	FLD SHL & COIL ASSY	64304-000	1	1	---	30
31		FLD SHL & COIL ASSY	64149-001	---	---	1	31
32	441	FIELD COIL ASSY	64104-000	2	2	---	32
33		FIELD COIL ASSY	64170-000	---	---	2	33
34	442	POLE SHOE ASSY	64106-000	2	2	---	34
35		POLE SHOE ASSY	64295-000	---	---	2	35
36	443	POLE SHOE RETAINER	64123-000	2	2	---	36
37		POLE SHOE RETAINER	64145-000	---	---	2	37
38	444	FIELD RING & BRACKET	64305-000	1	1	---	38
39		FIELD RING & BRACKET	64005-000	---	---	1	39
40	447	BRUSH-AC	23607-000	6	6	9	40
41	460	BR HLDR & RACK ASSY	64303-000	1	1	---	41
42		BR HLDR & RACK ASSY	64150-000	---	---	1	42
43	461	BR HLDR & RACK ASSY	64151-000	---	---	1	43
44	462	BRUSH HOLDER A.C.	59690-000	6	6	9	44
45	463	CAPACITOR- 0.1 mfd	41221-000	2	2	2	45
46	465	BRUSH PLATE	64169-000	1	1	1	46

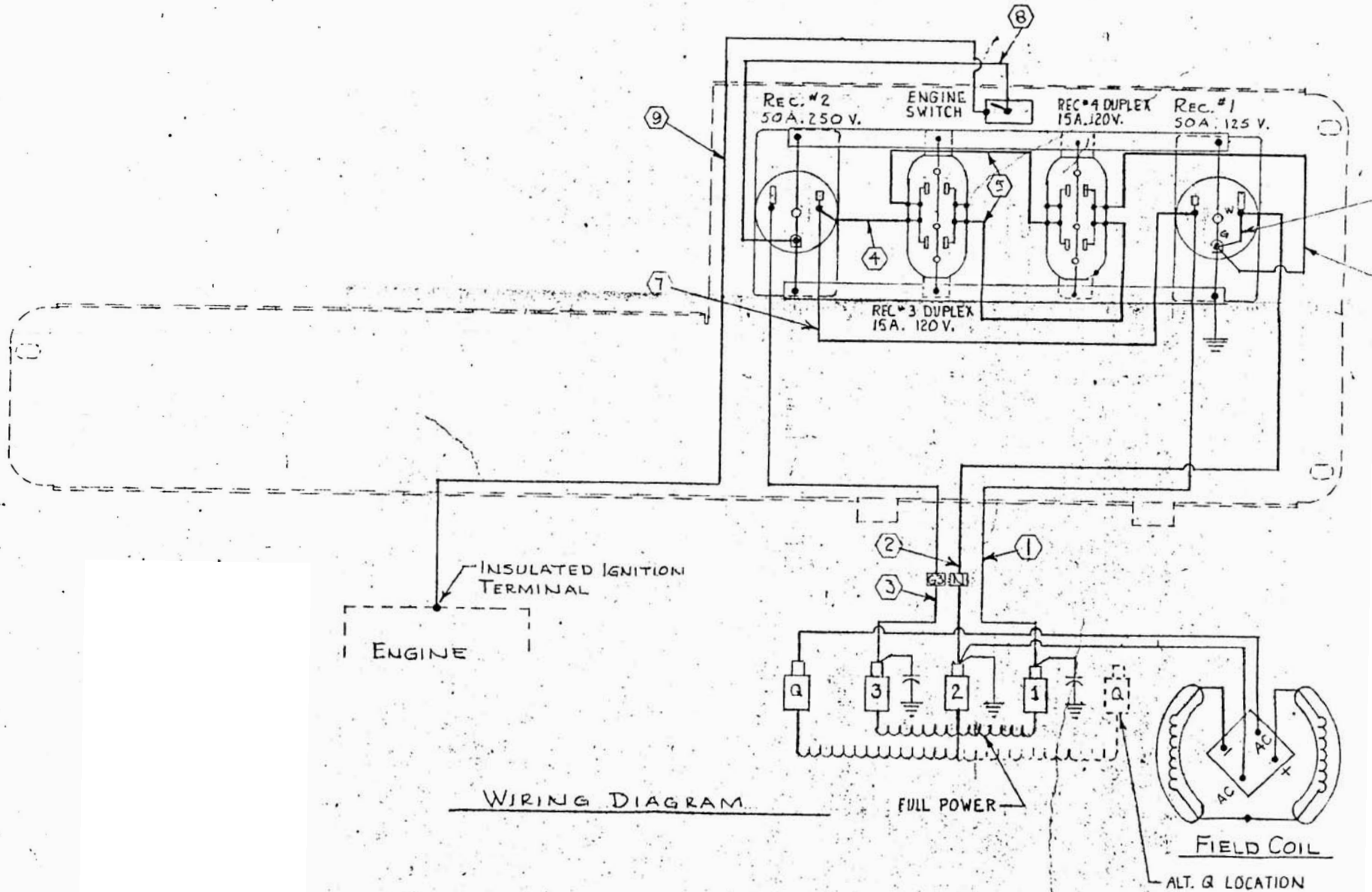
DX4500/A, DX4500E/A, DX6000E/A

REF#	DESCRIPTION	PART #	4500 QTY	4500E QTY	6000E QTY		
47	466	BRUSH PLATE	64148-000	---	---	1	47
48	469	BARRIER SPACER	59688-000	6	6	8	48
49	486	RECTIFIER	53976-000	1	1	1	49
50							50
51	491	WELDED END CVR ASSY	55438-017	1	1	1	51
52	499	LOOM- 0.7 OD X 0.75 FT	62487-004	1	1	1	52
53							53
54	601	CRADLE ASSEMBLY	64027-000	1	1	1	54
55	602	FORMED BRACKET	64113-000	1	1	1	55
56	608	SHOCKMOUNT - ENG END	64272-000	2	2	2	56
57	609	SHOCKMOUNT - GEN END	64062-000	2	2	2	57
58	610	UNIT TOP COVER	64039-001	1	1	1	58
59	621	COVER MOUNTING BRKT	64042-000	2	2	2	59
60							60
61	650	*BAT RACK GRP	64100-000	---	1	1	61
62	651	BATTERY RACK	64028-000	---	1	1	62
63	652	BATTERY HOLD DOWN	64029-000	---	1	1	63
64							64
65	811	FUEL VALVE PANEL	64040-000	1	1	1	65
66	815	FUEL VALVE	64091-000	1	1	1	66
67	817	F.TANK PLASTIC 4.5 G	64024-000	1	1	1	67
68	820	FUEL CAP/GAUGE	62396-003	1	1	1	68
69	825	BAFFLE	64041-000	1	1	1	69
70	831	FOAM STRIP- 0.8" X 3ft	64101-000	1	1	1	70

REFERENCE DATA ONLY

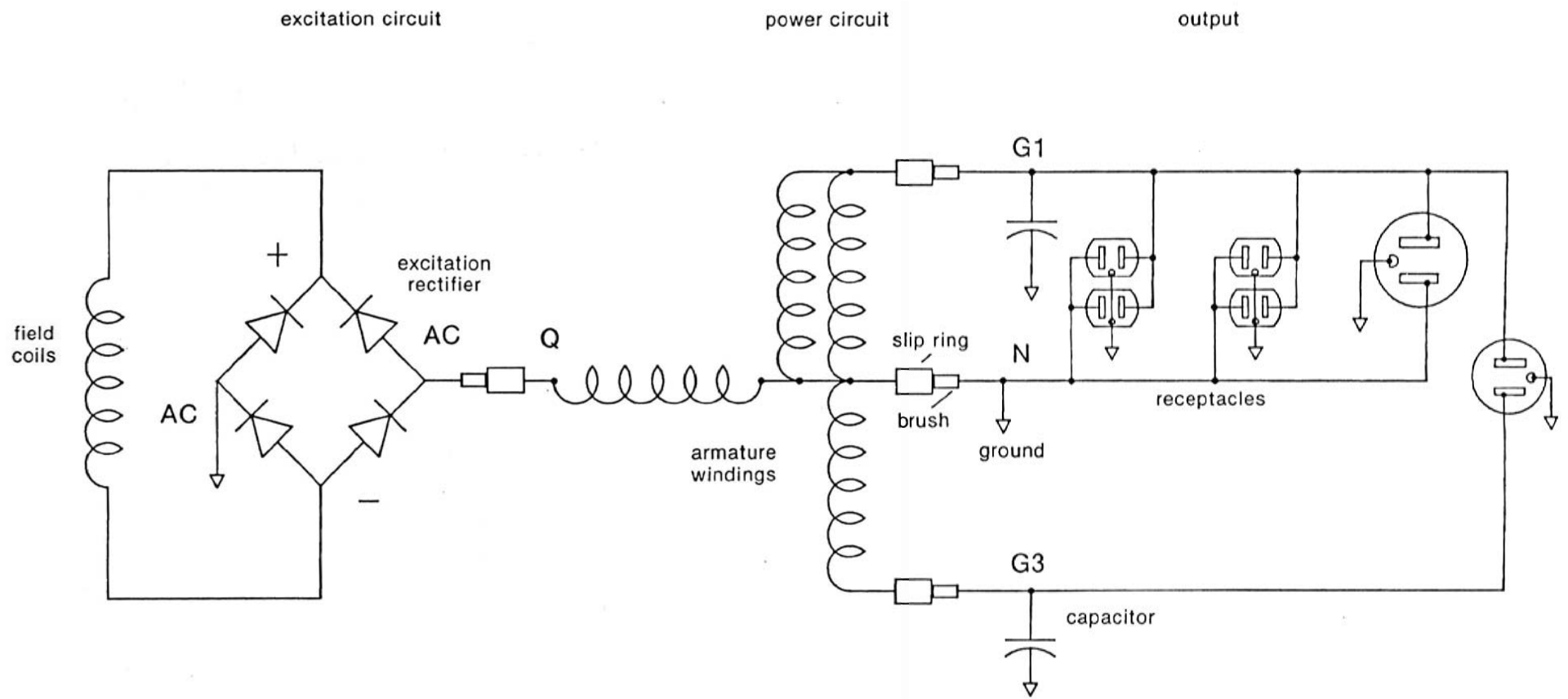
000	COMPLETE UNIT ASSY.	64023-003 ^{-dc4}	1	---	---	
		64093-004	---	1	---	
		64125-003	---	---	1	
101	COM PART GRP DX-HP-TF	64093-003	1	1	---	
	COM PART GRP DX-HP-TF	64093-000	---	---	1	
231	CONN-CONTACT SOCKET	64162-001	---	1	1	
232	CONN-SOCKET HOUSING	64162-002	---	1	1	
400	GEN PARTS UNASSEM	64127-000	1	1	---	
	GEN PARTS UNASSEM	63977-000	---	---	1	
433	SLIP RING-4 RINGS	64043-000	1	1	1	
655	*CHARGE LEAD	64100-001	---	1	1	
670	DC PNL & BAT RACK GR	64099-000	---	1	1	

BACK VIEW
SHOWN W/O BACK PANEL FOR CLARITY



WIRING DIAGRAM

64098



SCHEMATIC WIRING DIAGRAM