

-- 06/01/88 --PARTS LIST 60704-020 - DYNA-Pro 'DP SERIES' AC GENERATORS

REF#	DESCRIPTION	DP10000E/A	
		PART #	QTY
110	ENGINE - TECH. #OH180	62298-000	1
111	MUFFLER	63127-000 <i>ex 700</i>	1
112	BATTERY CABLE ASSY.	62499-000	1
201	COVER	63286-000	1
202	HEAT SHIELD	63398-000	1
212	BACK PANEL	63292-000	1
214	RESISTOR - CHARGE LMT	54599-000	2
218	START SOLENOID	24061-000	1
231	DC BATT. CONNECTOR	56148-000	1
249	FRONT PANEL (BARE)	63291-000	1
250	REV. CURRENT DIODE	54023-001	1
252	RECEPT NEMA 5-20R	50766-000	2
253	CIRCUIT BREAKER 20A	91598-001	4
255	RECEPT NEMA 5-50R	54545-000	1
263	RECEPT NEMA 6-50R	57325-000	1
264	CIRCUIT BREAKER 50A	57030-000	1
294	START/STOP SWCH SPDT	62393-000	1
401	FAN ASSY	23404-000	1
402	STUD (THRU BOLT)	23197-017	1
411	END BRACKET	55493-000	1
430	ARMATURE	63282-001	1
432	BEARING 6203-2RS	50215-000	1
440	FLD SHL & COIL ASSY	61030-001	1
441A	FIELD COIL ASSY	55359-000	1
441B	FIELD COIL ASSY	55359-001	1
442	POLE SHOE ASSY	43474-000	2
443	POLE SHOE RETAINER	43473-000	2
444	FIELD RING & BRACKET	64201-000	1
446	BRUSH-DC	47683-000	2
447	BRUSH-AC	55536-000	9
460L	BR HLDR & RACK ASSY	62648-000	1
460R	BR HLDR & RACK ASSY	62648-001	1
461	BRUSH PLATE DC- LH	47684-000	1
462	BRUSH HOLDER -AC	59690-000	9
463	CAPACITOR -AC 0.1mfd	41221-000	2
465	BRUSH PLATE DC- RH	59847-000	1
466	CAPACITOR -DC 0.05mfd	41180-000	1
491	WELDED END CVR ASSY	55007-000	1
601	CRADLE ASSEMBLY	64262-000	1

- Tech# 1A120-145

-- 06/01/88 --PARTS LIST 60704-020 - DYNA-Pro 'DP SERIES' AC GENERATORS

REF#	DESCRIPTION	DP10000E/A	
		PART #	QTY
602	SUB FRAME ASSEMBLY	57677-000	1
605	SHOCKMOUNT	23623-000	4

REFERENCE DATA ONLY

000	COMPLETE UNIT ASSY.	64264-000	1
200	CONTROL BOX ASSY.	63293-000	1
400	GEN PARTS UNASSEM	61011-001	1
901	OPR.MANUAL-DP10000E	60708-020	1
902	PARTS LIST-DP10000E	60704-020	1
950	DECAL INSTAL-DP	64216-0XX	1
951	N.PLATE-COMPUTER BLN	63966-000	1
952	DECAL-WARNING	63888-000	1
954	DECAL-MODEL DP10000E	64214-012	1

WINDING SPECIFICATION SS - 1502
 WIRING DIAGRAM 63290
 FIELD RESISTANCE 7.0 OHMS

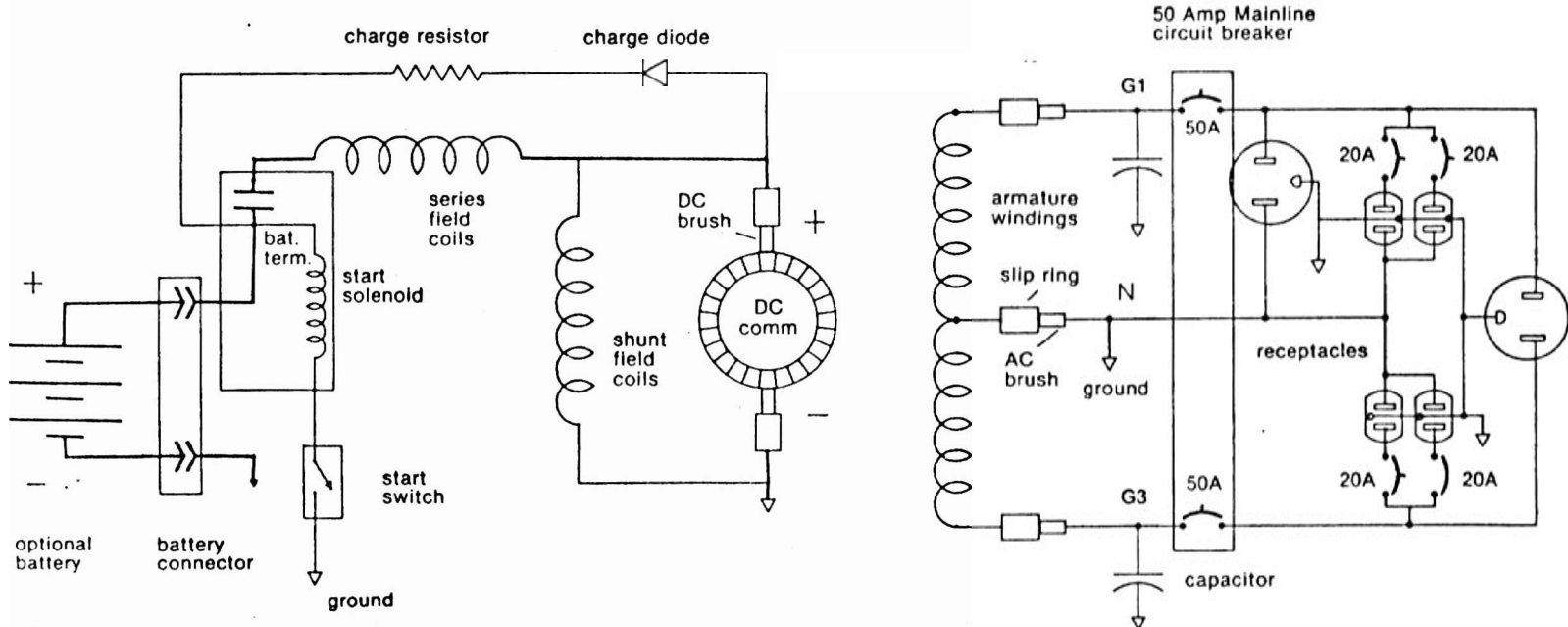
ARMATURE CONNECTION AC - 235
 ARMATURE RESISTANCE 0.042 OHM
 EXCITATION 60.0 VDC

battery and charge circuit

excitation circuit

power circuit

output



SCHEMATIC WIRING DIAGRAM

63290