

FOR SCHEMATIC SEE A-61669

REL. FOR PROD
DEC 28
ENERGX

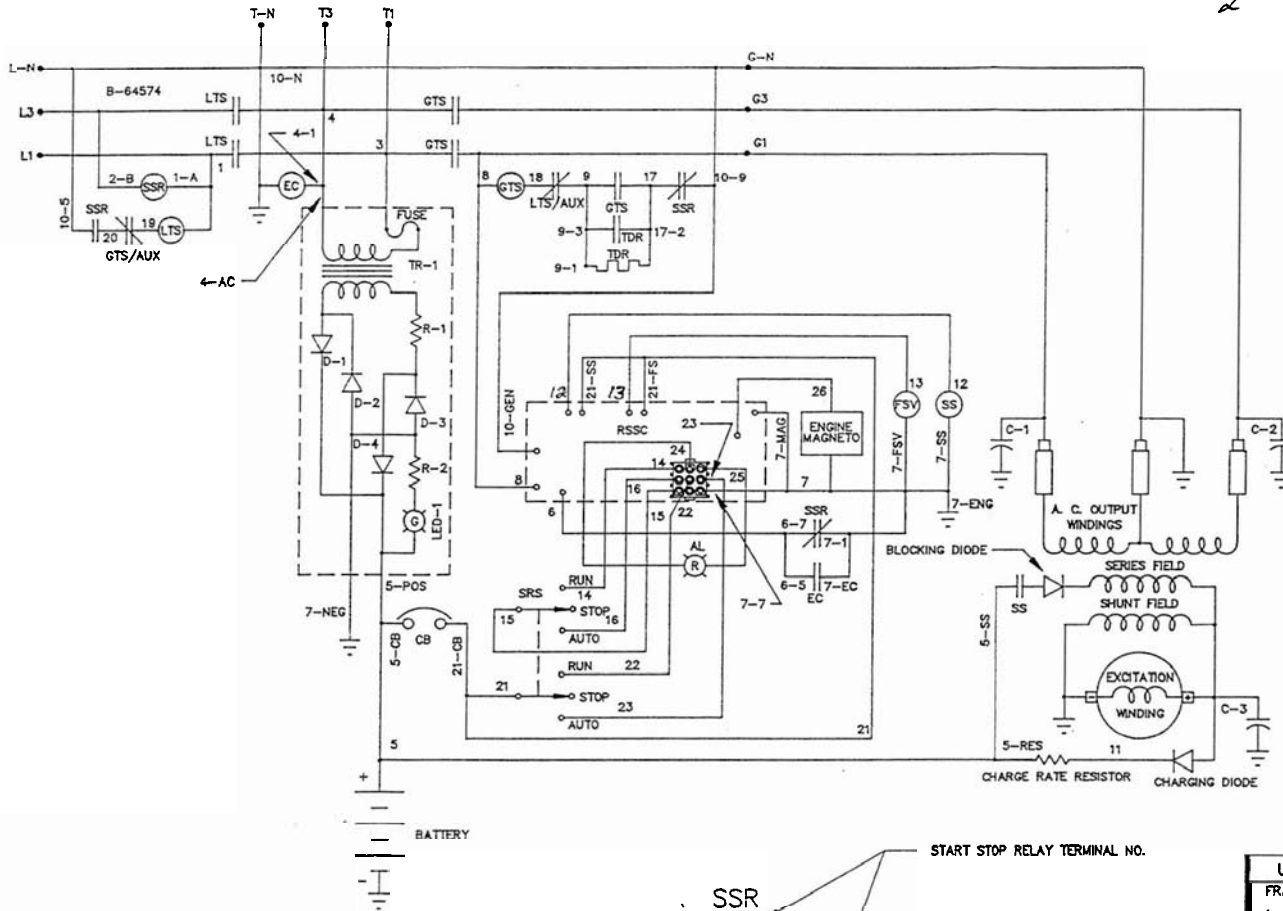
*AP55000 + 8000
with exerciser clock
& SDR
↓
start delay relay*

Co2902

ALL DIMENSIONS GIVEN IN INCHES - WORK TO DIMENSIONS - DO NOT APPROVED BY OTHER TECHNICAL ENGINEER OR DEPT. BEFORE PROG.			
- TOLERANCES (UNLESS OTHERWISE SPECIFIED):			
DECIMALS .005 PUNCHED HOLES .004 - .000			
DRAWN BY	DATE	CHECKED BY	DATE
E.D.F.	5-22-64	K.R.	K.R.
MATERIAL			
PROJ. NO.			
APP. NO.	C-62755		SCHEM.
MODEL	PS5TH-3R/D24		
- DYN			

B-64574

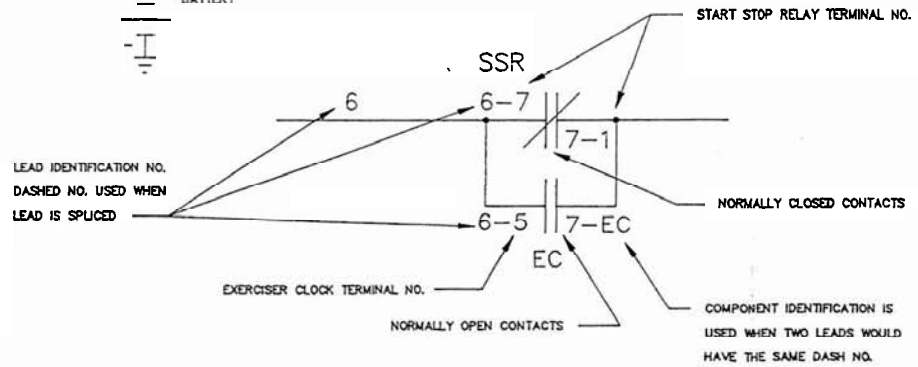
REVISION RECORD				
ISSUE	E.C.O. NO.	DESCRIPTION	DATE	BY APPR.
1	---	ORIGINAL	---	---
2	---	12-13 ON RSSC	10-14-92	---



LEGEND

- AL ALARM LAMP (FAILURE TO START)
- C-1 THROUGH C3 CAPACITORS
- CB CIRCUIT BREAKER
- D-1 THROUGH D4 DIODES
- EC EXERCISER CLOCK
- ENG ENGINE
- FSV FUEL SOLENOID VALVE
- G1, G3 & G-N GENERATOR LEAD IDENTIFICATION
- GEN GENERATOR
- GTS GENERATOR TRANSFER SWITCH
- GEN/AUX GENERATOR TRANSFER SWITCH AUXILIARY CONTACTS
- L1, L3 & L-N LINE TERMINALS
- LED-1 LIGHT EMITTING DIODE (CHARGE INDICATOR)
- LTS LINE TRANSFER SWITCH
- LTS/AUX LINE TRANSFER SWITCH AUXILIARY CONTACTS
- MAG MAGNETO
- N NEUTRAL
- R-1 & R-2 RESISTORS
- RSSC REMOTE START STOP CONTROL MODULE
- SS START SOLENOID
- SSR START STOP RELAY
- SRS STOP RUN SWITCH
- TDR THERMAL DELAY RELAY
- TR-1 TRANSFORMER
- T1, T3 & T-N LOAD TERMINALS

RELEASED
FOR PRODUCTION
JUL 6 1992
WINCO INC



UNLESS OTHERWISE SPECIFIED		MACHINED SURFACE TEXTURE	ALL DIMENSIONS GIVEN IN INCHES			
FRACTIONS ±			ANGULAR ± 1.5°	WORK TO DIMENSIONS		
1. PLACE DEC. ± .1		- DO NOT SCALE -				
2. PLACE DEC. ± .031						
3. PLACE DEC. ± .005						
DRAWN BY	DATE	CHKD BY	DATE	APP'D BY	DATE	SCALE
E.D.F.	11-14-91	LR	1/15/92	LR		1"=3"
MATERIAL:						
FINISH:		TITLE				
ASS'Y:		SCHEMATIC				
MODEL		APS8000/D25		PART NO.		
		WINCO INCORPORATED		B-64574		