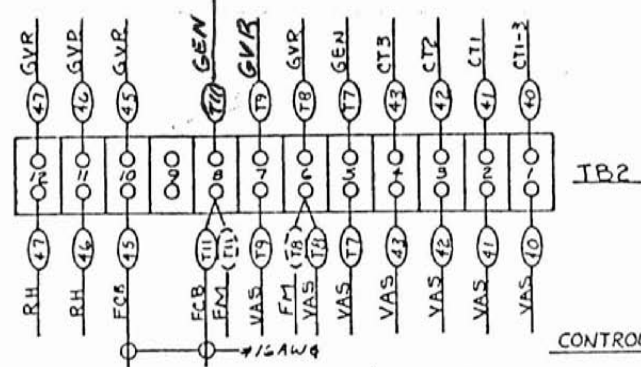
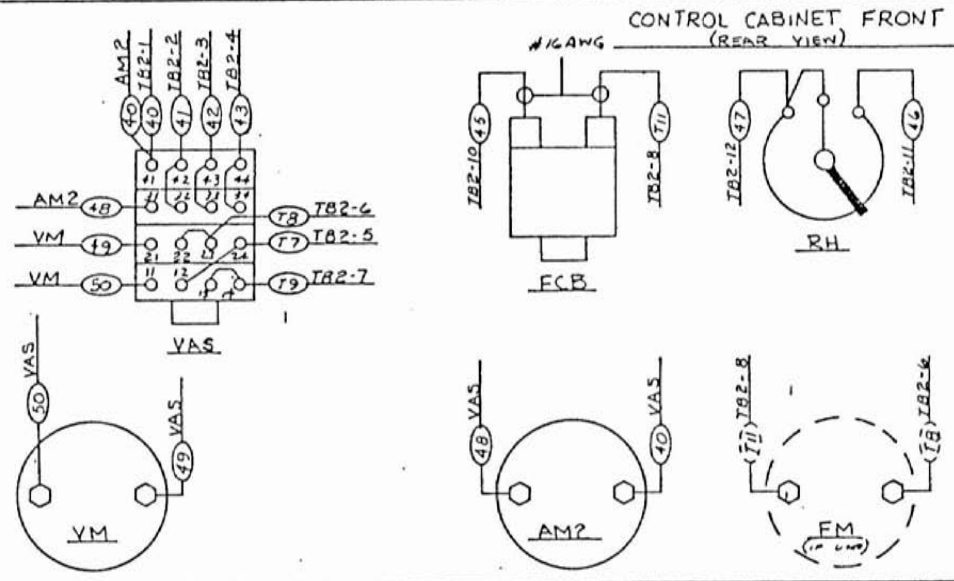


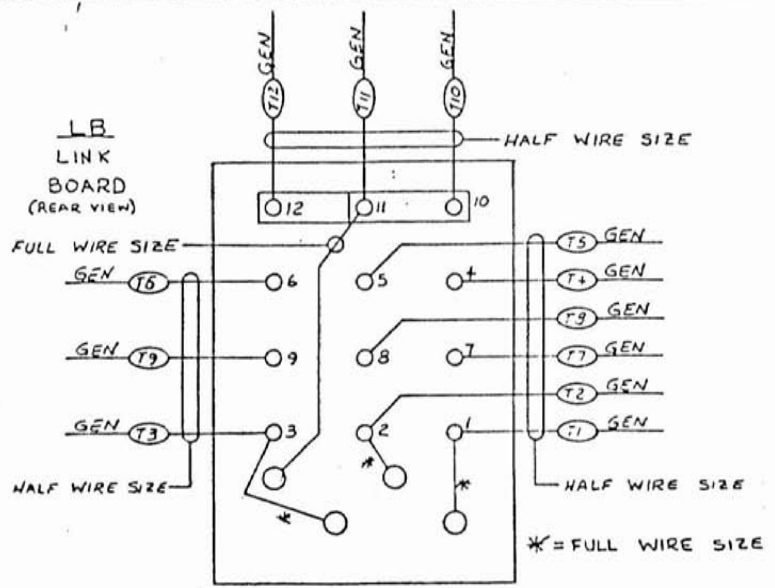
GVR  
GENERATOR  
VOLTAGE  
REGULATOR



CONTROL CABINET FLOOR



CONTROL CABINET FRONT  
(REAR VIEW)



LB  
LINK  
BOARD  
(REAR VIEW)

- NOTES:
- 1.) ALL INTERNAL CONTROL CABINET WIRES TO BE #20 AWG, EXCEPT AS NOTED
  - 2.) ALL INTERCONNECTING WIRES BETWEEN TB2 & GEN-SET TO BE #16 AWG

UNIT MODEL	FULL WIRE SIZE AWG	HALF WIRE SIZE AWG
65CS	#2/0	#4
BOARDS	#4/0	#2
100HDS	2#/0	#0
130HDS	2 #4/0	#4/c

**WINGO**  
Division of Dyna Technology, Inc.  
DETROIT, MICHIGAN U.S.A.

TITLE  
A.C WIRING DIAGRAM

MATERIAL

DRAWN BY CR	DATE 12/12/80	SUPERSEDED BY
CHECKED BY	DATE	SUPERSEDES
APPROVED BY TJ	DATE	SCALE

PATTERN OR FORGING NO. DRAWING NO.  
**\$71519-19**