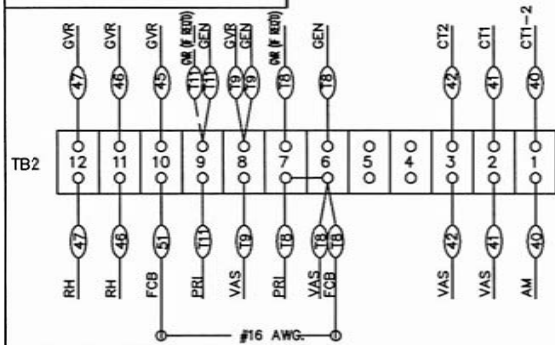
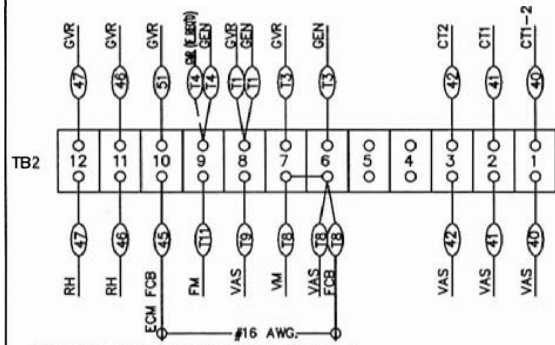


B-99012-3

(SEE D.C. DIAGRAM)

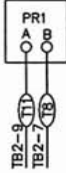
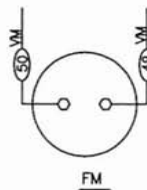
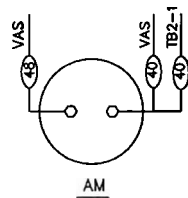
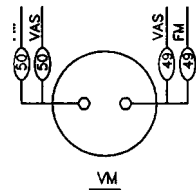
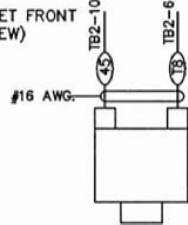
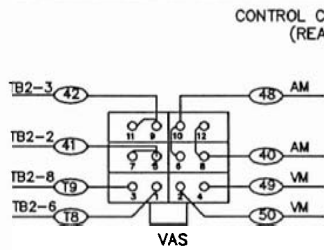


CONTROL CABINET FLOOR FOR FIGURE 1



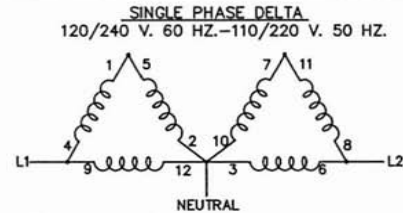
CONTROL CABINET FLOOR FOR FIGURE 2

CONTROL CABINET FRONT (REAR VIEW)



REVISION RECORD					
ISSUE	E.C.O. NO.	DESCRIPTION	DATE	BY	APPR.
1	---	ORIGINAL	-----	---	---
2	419-92	REVISED TB2	12-9-92	D.W.	R.H.
3		REVISED VAS-AM WIRING	3-23-93	C.M.	

FIGURE 1



12 LEAD RECONNECT TABLE

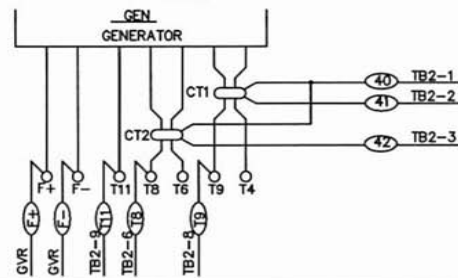
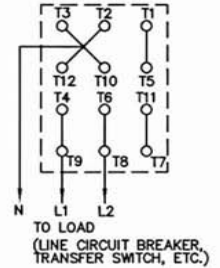
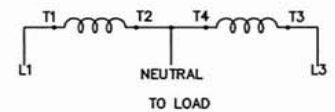
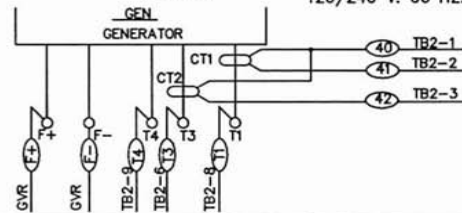


FIGURE 2

SINGLE PHASE (4 LEAD)  
120/240 V. 60 HZ. - 110/220 V. 50 HZ.



NOTES:

1. ALL INTERNAL CONTROL CABINET WIRES ARE TO BE # 20 AWG. EXCEPT AS NOTED.
2. ALL INTERCONNECTING WIRES BETWEEN TB2 AND GENERATOR SET ARE TO BE # 16 AWG.
3. FOR VOLTAGE REGULATOR CONNECTION, SEE DRAWING D-93537.

UNLESS OTHERWISE SPECIFIED	
FRACTIONS ±	ANGULAR
1. PLACE DEC. ± .1	± 1.5°
2. PLACE DEC. ± .031	
3. PLACE DEC. ± .005	

MACHINED SURFACE TEXTURE

ALL DIMENSIONS GIVEN IN INCHES  
WORK TO DIMENSIONS  
- DO NOT SCALE -

THIS DRAWING CONTAINS PROPRIETARY INFORMATION BELONGING TO WINCO, UNAUTHORIZED USE IS PROHIBITED.

DRAWN BY D.M.W.	DATE 7-29-92	CH'KD BY	DATE	APP'D BY R.H.	DATE 11-18-92	SCALE 1=1.5
MATERIAL:		TITLE A.C. WIRING AND CONNECTING DIAGRAM				
FINISH	ASS'Y	MODEL 20FGS/AP35		PART NO. B-99012-3		