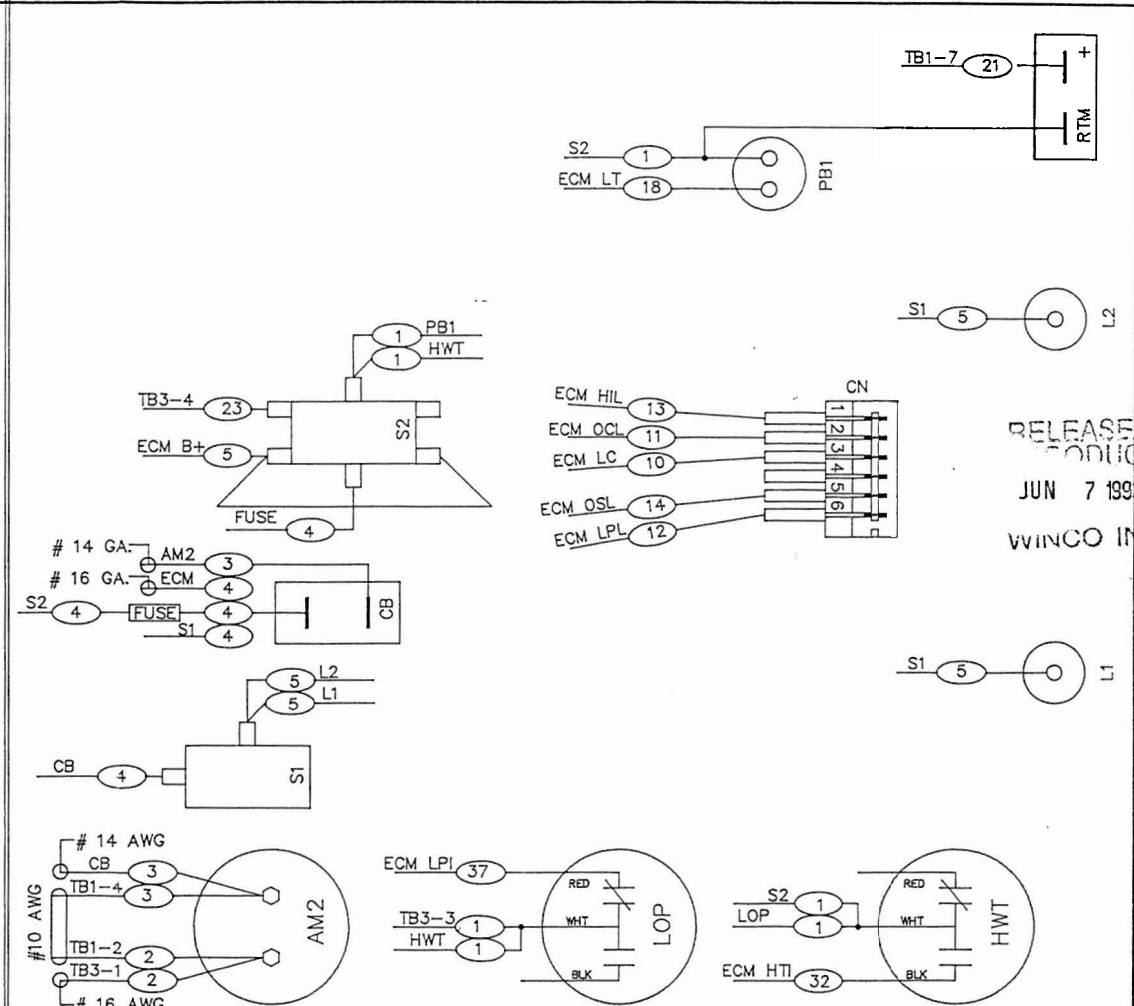
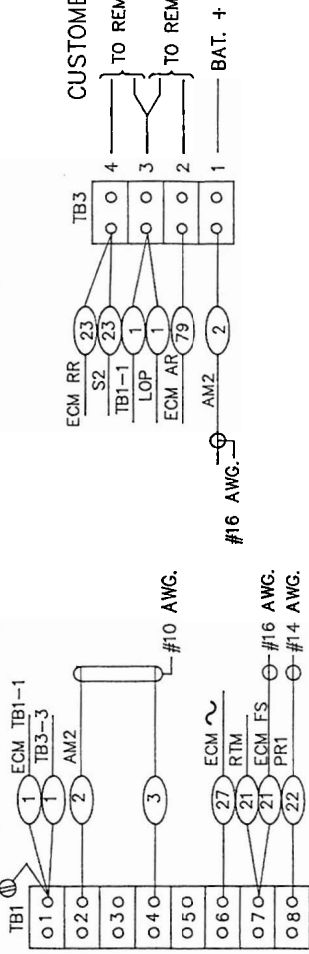


SEE A.C. WIRING
DIA. FOR FURTHER WIRING

CUSTOMERS CONNECTIONS



NOTES:
1. ALL WIRES TO BE 20 AWG. UNLESS NOTED.

ISSUE	E.C.O. NO.	DESCRIPTION	DATE	BY	APPR.
3	417-90	REVISED TB1	12-9-92	D.W.	[Signature]
2		GENERAL REVISION	8-27-92	D.W.	R.H.
1		ORIGINAL			

UNLESS OTHERWISE SPECIFIED		MACHINED SURFACE TEXTURE		ALL DIMENSIONS GIVEN IN INCHES	
FRACTIONS: 1. PLACE DEC. $\pm .1$ 2. PLACE DEC. $\pm .031$ 3. PLACE DEC. $\pm .005$		ANGULAR $\pm 1.5^\circ$		WORK TO DIMENSIONS - DO NOT SCALE -	
DRAWN BY D.M.W.	DATE 8-5-92	CHD BY	DATE	APPD BY R.H.	DATE 10-24-92
THIS DRAWING CONTAINS PROPRIETARY INFORMATION BELONGING TO WINCO. UNAUTHORIZED USE IS PROHIBITED.		TITLE D.C. WIRING DIAGRAM		SCALE 1=1	
MATERIAL: B20/APS35000				PART NO. B-99010	

RELEASED PRODUCT
JUN 7 1998
WINCO INC