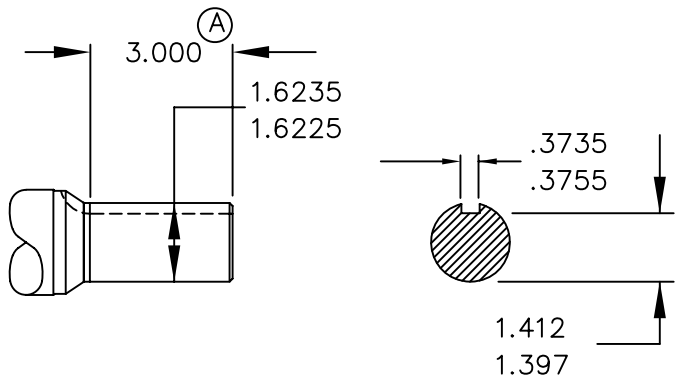
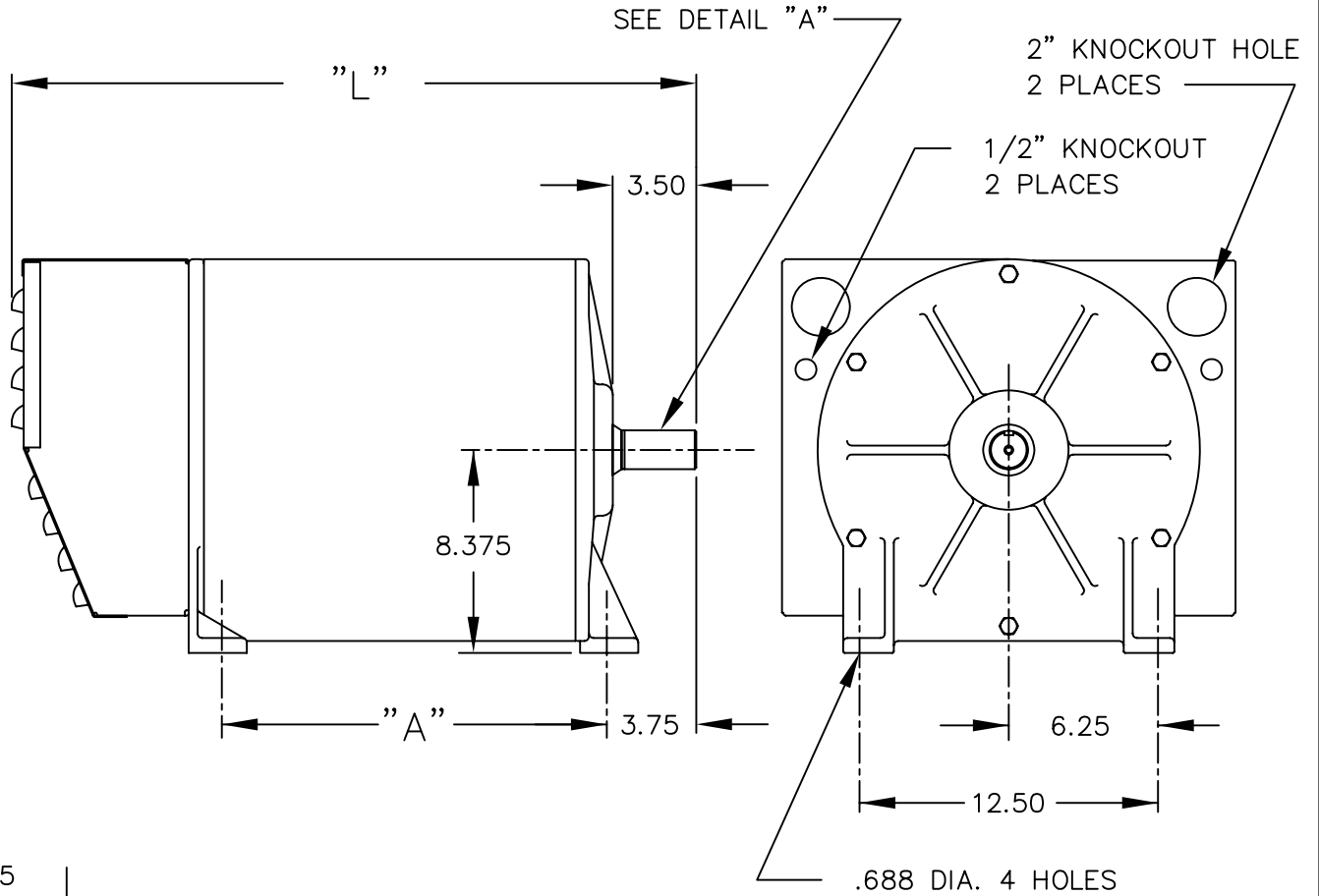
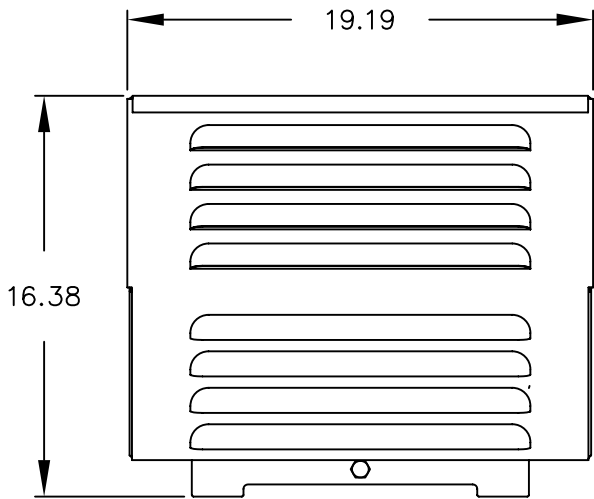


78987-A

REVISION RECORD					
ISSUE	E.C.O. NO.	DESCRIPTION	DATE	BY	APPR.
1	---	ORIGINAL	-----	---	---
2		(A) WAS 3.125	3-11-92	D.W.	

MODEL	DIMENSIONS	
	"L"	"A"
35-45PSB4G-17	28.69	16.13
55-75PSB4G-17	34.75	22.19



DETAIL "A"

THIS DRAWING CONTAINS PROPRIETARY INFORMATION BELONGING TO WINCO, UNAUTHORIZED USE IS PROHIBITED.	DRAWN BY	DATE	CH'KD BY	DATE	APP'D BY	DATE	SCALE	
	E.D.F.	9-11-91					1"=8"	
	UNLESS OTHERWISE SPECIFIED			TITLE				
	1. PLACE DEC. ± .1			OUTLINE DRAWING				
	2. PLACE DEC. ± .031							
	3. PLACE DEC. ± .005							
						PART NO.		
						A-98987		