

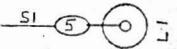
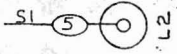
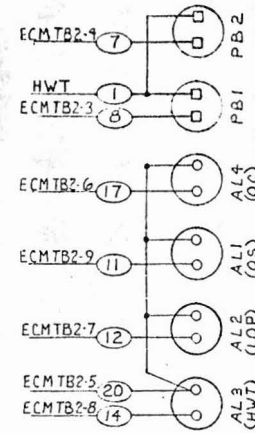
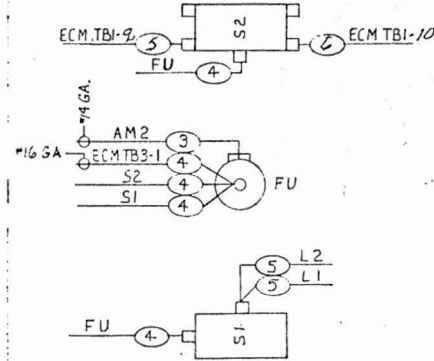
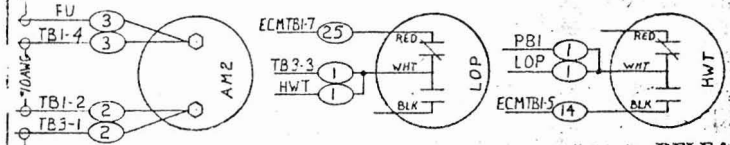
CUSTOMER CONNECTIONS.

TO REMOTE START  
(CONTACT)

TO REMOTE ALARM  
(IF USED)

BATT.

• 16 AWG  
• 14 AWG



RELEASED FOR PRODUCTION

DEC 17 1982

DYNA TECHNOLOGY, INC.

DRAWN BY		DATE	CHKD BY	DATE	APP'D BY	DATE	SCALE
D.M.W.		12 21 81	LR	12 22 81	LN	12 22 81	
MATERIAL							
FINISH							
ASSY							
MOON							
75CH							
D.C. WIRING DIAGRAM							
WINDO Division of DYNA TECHNOLOGY, INC. LeCenter, MN 56057							
C-93646-2							