

# ASSEMBLY

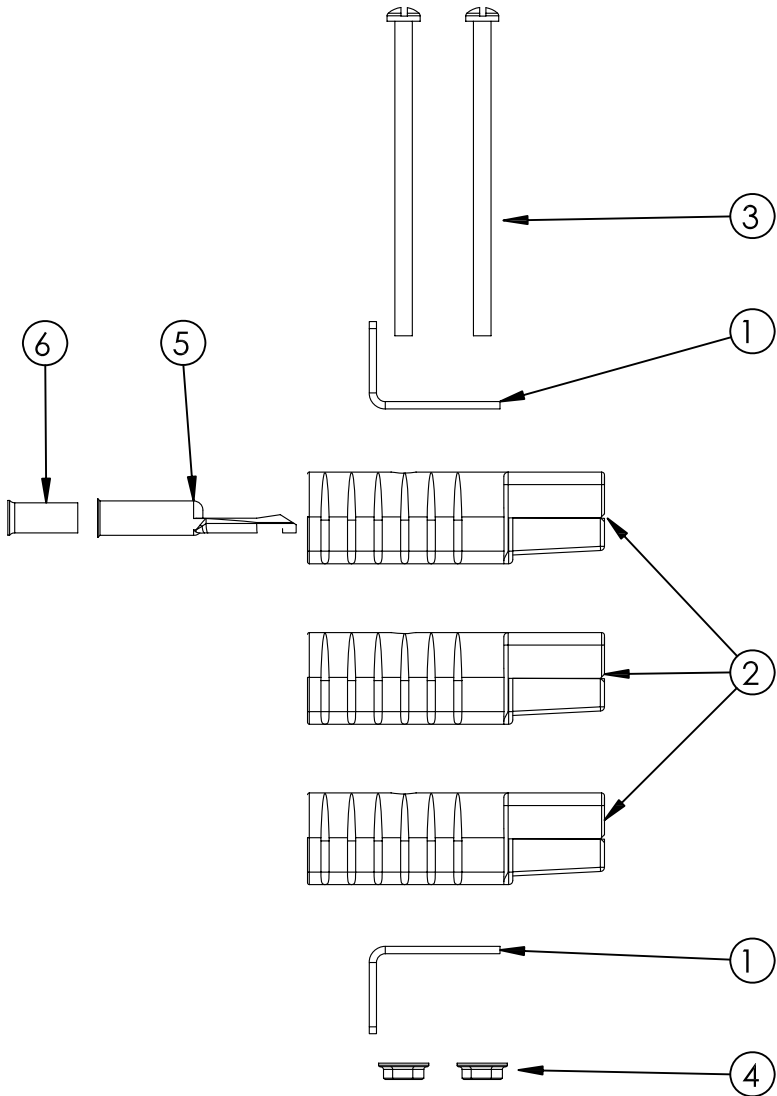
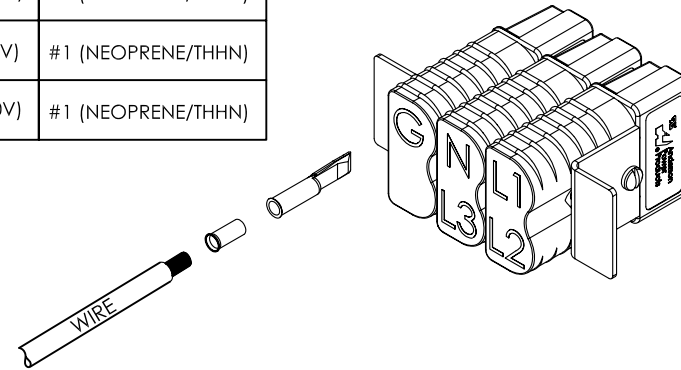


TABLE (A) LEADWIRE RECOMMENDATIONS	
MODEL	SIZE (AWG) / INSULATION
40PTOC-4 (120/208V)	#4 (NEOPRENE/THHN)
45PTOC-17 (120/240V)	#4 (NEOPRENE/THHN)
75PTOC-4 (120/208V)	#1 (NEOPRENE/THHN)
75PTOC-17 (120/240V)	#1 (NEOPRENE/THHN)

## APPROVED CRIMPING TOOLS

1. ANDERSON POWER PRODUCTS
2. ETC MODEL HHS HYDRAULIC CRIMPER
3. ITT BLACKBURN #1640
4. THOMAS & BETTS #TBM5



1. READ INSTRUCTIONS IN FULL PRIOR TO ASSEMBLING PLUG KIT
2. VERIFY THAT ALL ITEMS AND CORRECT QUANTITIES ARE IN THE PACKAGE
3. INSTALL CONTACTS (WITH BUSHINGS IF APPLICABLE) ON ELECTRICAL CONDUCTOR (SEE TABLE "A") BY SOLDERING, USING A GOOD GRADE OF RESIN CORE SOLDER OR AN APPROPRIATE COMPRESSION CRIMPER AS RECCOMENDED BY WINCO INC. (WARNING: SOLDER ONLY COPPER CONDUCTORS, DO NOT USE ACID CORE SOLDER!)
4. ASSEMBLE ITEMS ACCORDING TO THE EXPLODED VIEW AT THE LEFT SIDE OF PAGE
5. INSERT THE CONDUCTORS (WITH CONTACTS INSTALLED) INTO THE PROPER CAVATIES AS SHOWN ABOVE. CONNECTOR MUST SNAP INTO HOUSING, PULL ON WIRE TO ENSURE A POSITIVE LOCK. EMPTY CAVITIY MUST HAVE A DUMMY CONTACT INSERTED.

# INSTRUCTION SHEET

ITEM	DESCRIPTION	QTY
1	HANDLE	2
2	ANDERSON POWER PRODUCTS HOUSING	3
3	RHMS	2
4	FLANGE NUT	2
5	WIRE CONTACT	6
6	BUSHING	6