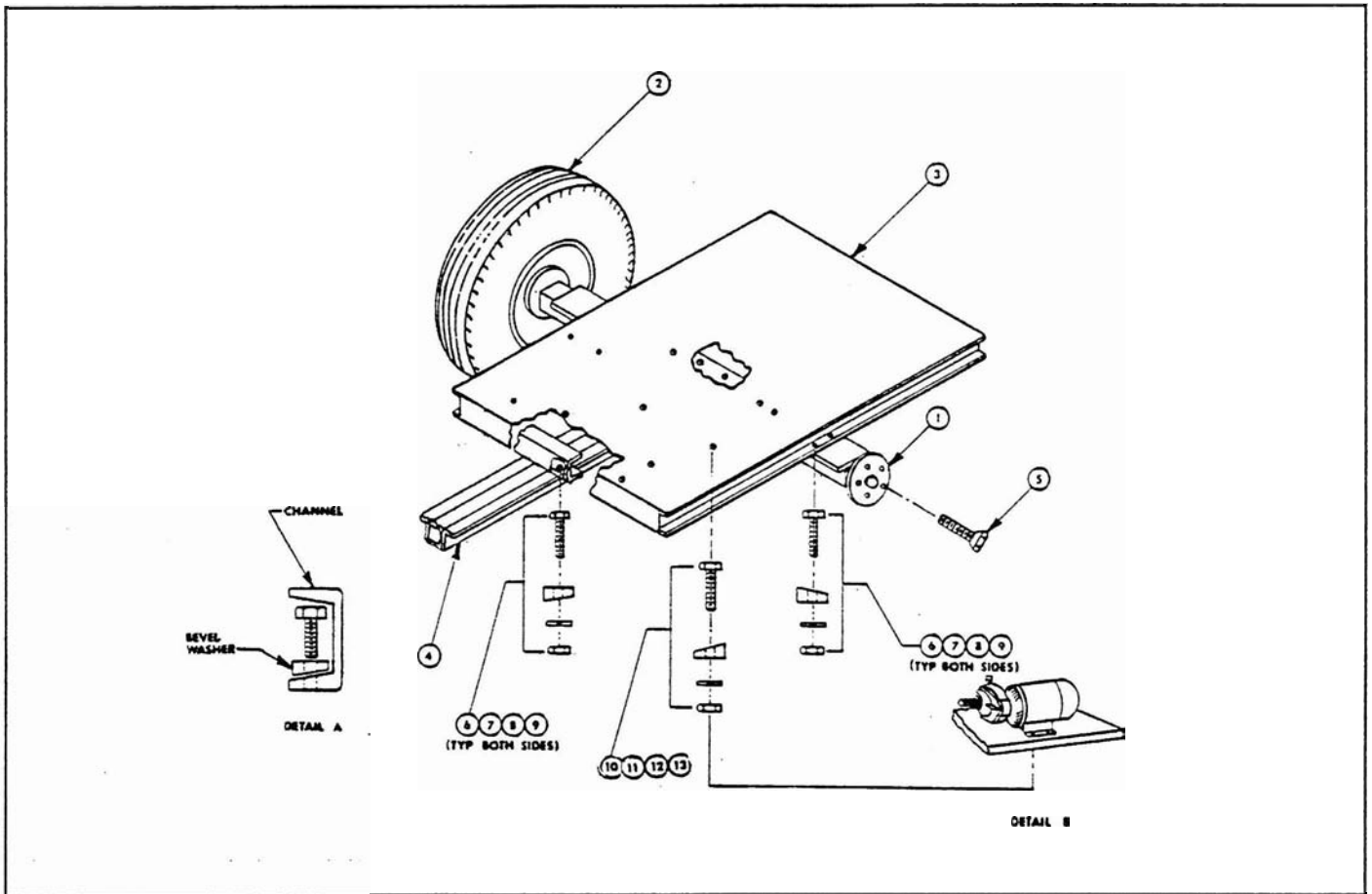


# PTO TRAILER KIT ASSEMBLY INSTRUCTIONS



## TOOLS REQUIRED

(QTY / DESCRIPTION / USAGE)

- 1 3/4" Lug Wrench for wheel installation
- 2 3/4" Combination Wrench for Axle & tongue installation

**STEP 1** Inventory and identify the parts of the trailer kit. Familiarize yourself with part location BEFORE starting assembly (See illustration and parts list.)

**STEP 2** Place trailer deck (item #3), deck side down

**STEP 3** Place axle assembly (item #1) across trailer bed aligning the holes in the center and two outside channels. Install six sets of hardware (item #'s 6, 7, 8 & 9). Use bevel washer on channel side under the bolt head. (See detail A).

**STEP 4** Place trailer tongue assembly (item #4) on trailer bed aligning holes on the three cross channels. Install six sets of hardware (item #'s 6, 7, 8, & 9) as in step 3 above.

**STEP 5** Turn the trailer over and block up the deck for wheel assembly (item #2) installation. Place wheel assembly on the hub and align holes. Install lug bolts (item #5) and SNUG down, then tighten all bolts evenly.

**STEP 6** Use remaining hardware (item #'s 10, 11, 12, & 13) for generator installation. Use bevel washer on the channel side of the trailer deck. (See detail B).

**CAUTION:** THE GENERATOR MOUNTING BASE / PADS MUST REST FIRMLY ON THE TRAILER DECK. INSTALL SHIMS IF NECESSARY, THEN BOLT THE GENERATOR FIRMLY IN PLACE.

**NOTE:** The trailer height and mounting position of the generator should enable aligning the tumbling bar (coupling shaft) in a straight or nearly straight line with the power take off shaft and the generator gearbox drive shaft. Misalignment must be less than 15 degrees.

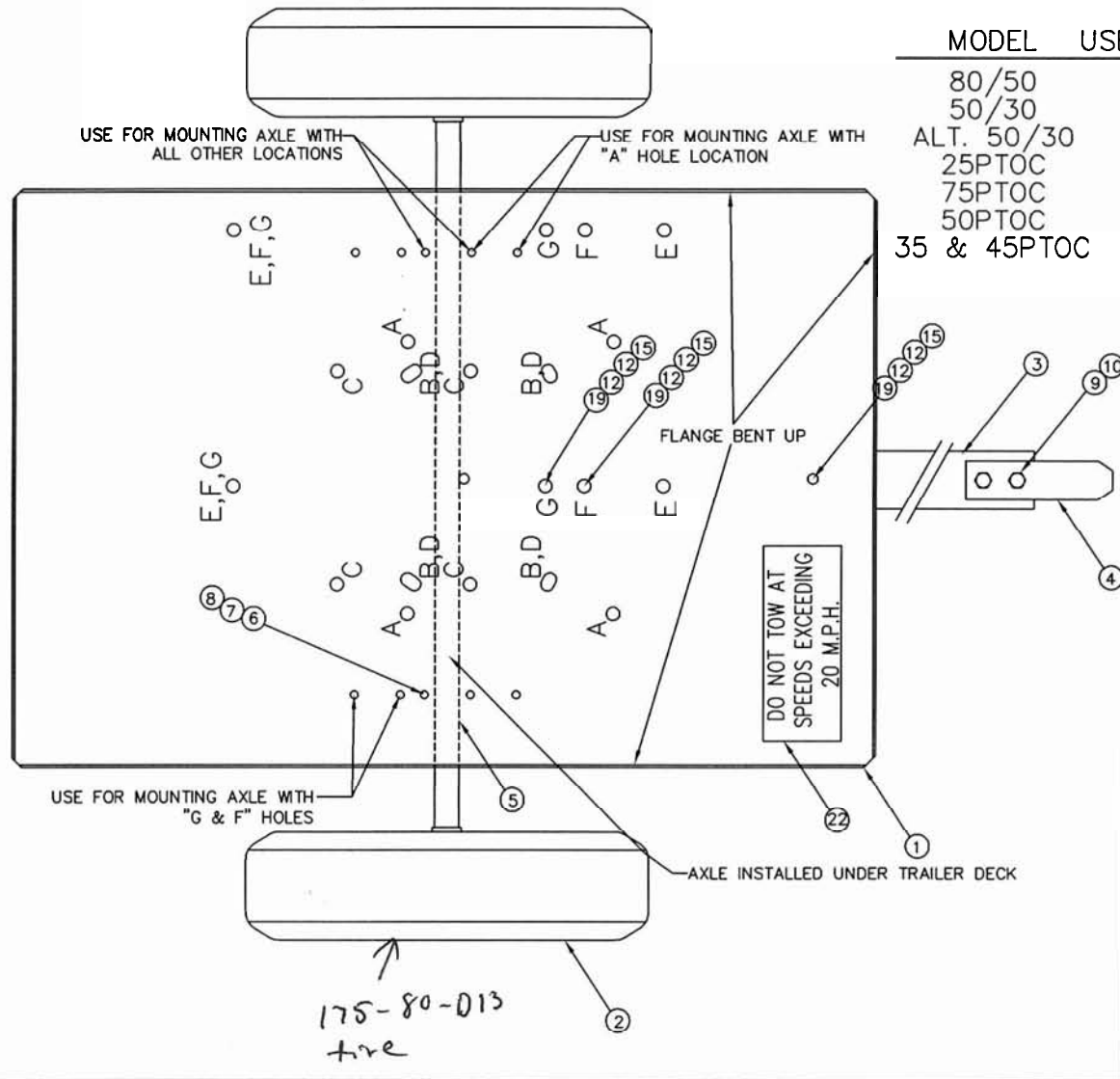
## PARTS LIST

ITEM	PART#	QTY	DESCRIPTION
1	56896-000	1	Axle and Hub Assembly
2	59880-000	2	Tire and Wheel Assembly
3	59884-000	1	Trailer Deck Assembly
4	59886-000	1	Tongue Assembly
5	59903-000	10	Lug Bolt
6	57580-000	12	Bolt, Hex Head - 1/2" X 1-1/2"
7	90948-000	12	Bevel Washer - 1/2"
8	636-000	12	Lockwasher, 1/2" Split
9	1744-000	12	Hex Nut - 1/2"
10	91083-001	4	Bolt, Hex Head - 5/8" X 2"
11	90916-000	4	Bevel Washer - 5/8"
12	3577-000	4	Lockwasher - 5/8"
13	447-000	4	Hex Nut - 5/8"

B-97100-000

- NOTES:  
 1. BAG OF PARTS CONTAINS ALL PARTS WITH ASTERISK (\*)  
 2. TO MAKE INSTRUCTION SHEET PART NO. A-97100-101 FREEZE LAYERS 10,11,12,13 & NOTE 2, THAW LAYER ALT-BORDER AND PLOT 1"=10" USING .025 PEN.

REVISION RECORD					
ISSUE	E.C.O. NO.	DESCRIPTION	DATE	BY	APPR.
4	126-05	UPDATED DRAWING	9/28/05	MTH	MTH
5	169-05	UPDATED DRAWING	12/15/05	MTH	MTH
6		UPDATED DRAWING	1/12/06	MTH	



MODEL USE HOLE  
 80/50  
 50/30  
 ALT. 50/30  
 25PTOC  
 75PTOC  
 50PTOC  
 35 & 45PTOC

ITEM	PART NO	QUAN.	DESCRIPTION
22	64006-000	1	DECAL, PTO
21	100054-649	1	CARTON TOP PAD ( NOT SHOW)
20	100047-711	1	CARTON TOP ( NOT SHOW)
* 19	57580-000	3	HHCS 1/2-13 X 1 1/2
18			
17	97103-000	1	PARTS BAG (NOTE 1)
* 16	515-000	4	FL 11/16 X 1/1.75
* 15	92242-000	3	LOCK NUT, 1/2-13
14	100047-706	1	CARTON (NOT SHOWN)
* 13	252003060	10	LUG NUTS (SUPPLIED W/ AXLE)
* 12	21867-000	6	FL 1/2
* 11	A-97100-101	1	INSTRUCTION SHEET (SEE NOTE 2)
* 10	95468-000	6	LOCK NUT, 5/8-11
* 9	91083-4	6	HHCS 5/8-11X2
* 8	526-000	4	FW 5/16
* 7	47136-000	4	LOCK NUT, 5/16-18
* 6	252003010	2	U-BOLT, 5/16-18
5	97104-000	1	AXLE ASSEMBLY
4	252101030	2	TONGUE, END
3	97101-000	1	TONGUE
2	97105-000	2	TIRE & RIM
1	97102-000	1	BASE PAN

UNLESS OTHERWISE SPECIFIED		MACHINED SURFACE TEXTURE		ALL DIMENSIONS GIVEN IN INCHES			
FRACTIONS *		ANGULAR		WORK TO DIMENSIONS			
1. PLACE DEC. ± .1		± 1.5°		- DO NOT SCALE -			
2. PLACE DEC. ± .015							
3. PLACE DEC. ± .005							
THIS DRAWING CONTAINS PROPRIETARY INFORMATION BELONGING TO WINCO, UNAUTHORIZED USE IS PROHIBITED.	DRAWN BY	DATE	CHK'D BY	DATE	APP'D BY	DATE	SCALE
	MTH	3/1/05			MTH	3/24/05	1=6
	MATERIAL:		TITLE				
	FINISH	ASS'Y		PTO TRAILER ASS'Y			
MODEL		PTO TRAILER		PART NO.			B-97100-000
		WINCO® INCORPORATED					