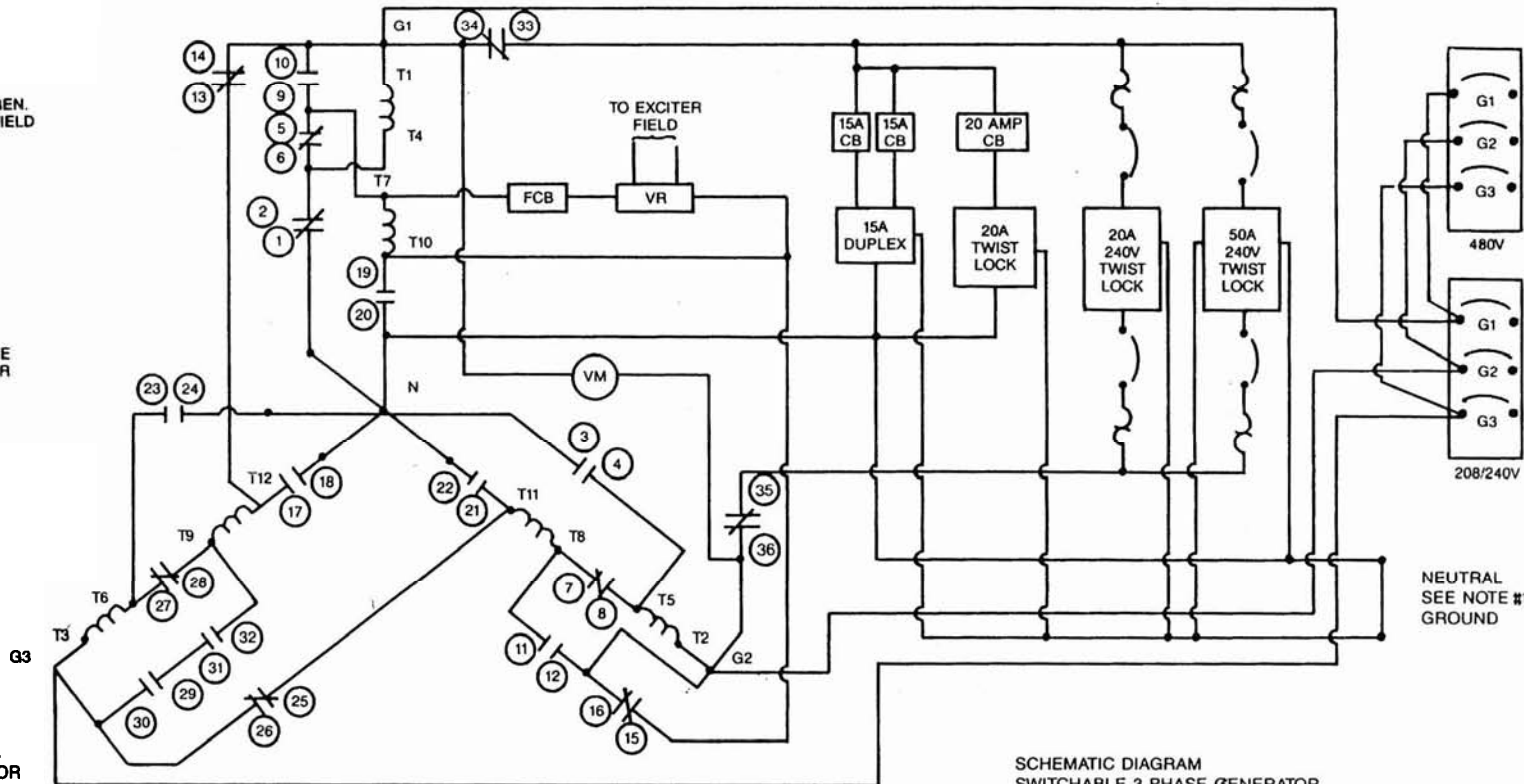


NOTES:

1. REMOVE JUMPER FOR ISOLATED NEUTRAL APPLICATIONS.
2. ANY CHANGES ON THIS DRAWING MUST BE CARRIED THRU ON LABEL DRAWING B-91649-25.
3. THE NUMBER CIRCLED INDICATES THE SELECTOR TERMINAL WHERE THE CONNECTION IS MADE.



GENERATOR STATOR

GENERATOR IS CONNECTED IN DELTA WHEN SWITCH CONTACTS ARE IN POSITION SHOWN.

SCHEMATIC DIAGRAM
 SWITCHABLE 3 PHASE GENERATOR
 480/277 VOLT WYE
 208/120 VOLT WYE-WYE
 240/120 VOLT DELTA

MD125
 MD180