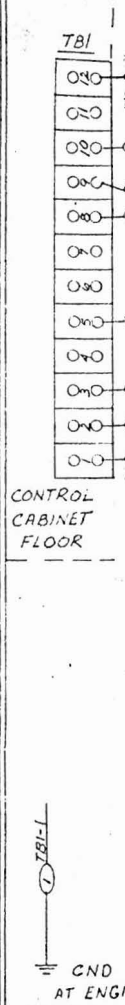
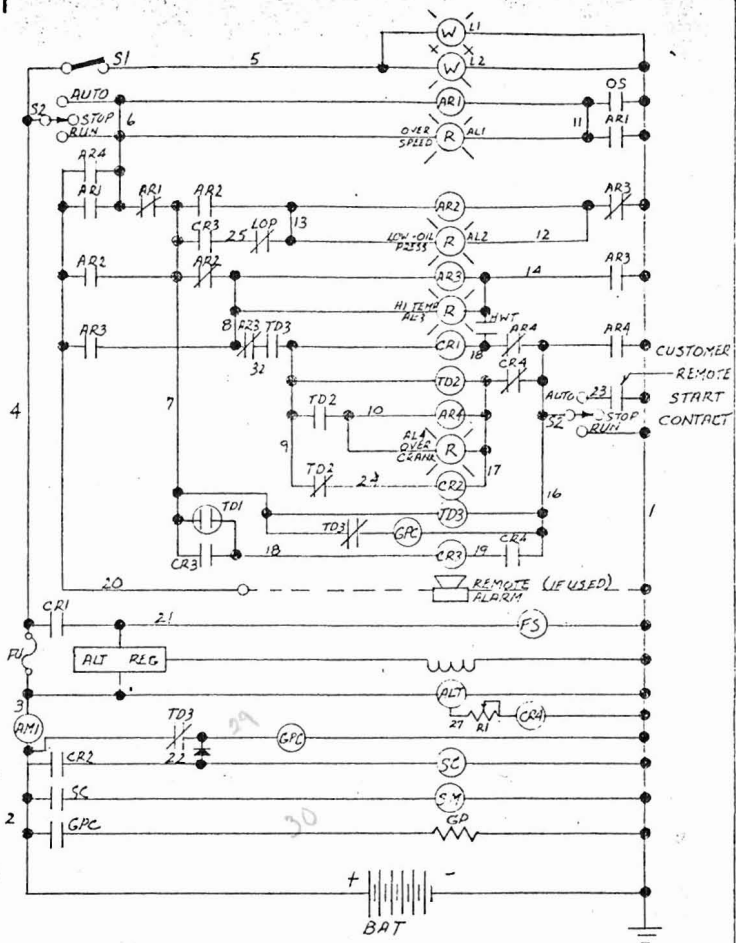
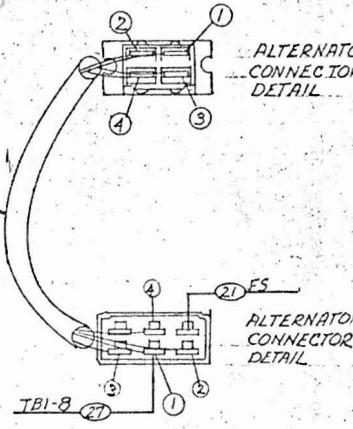
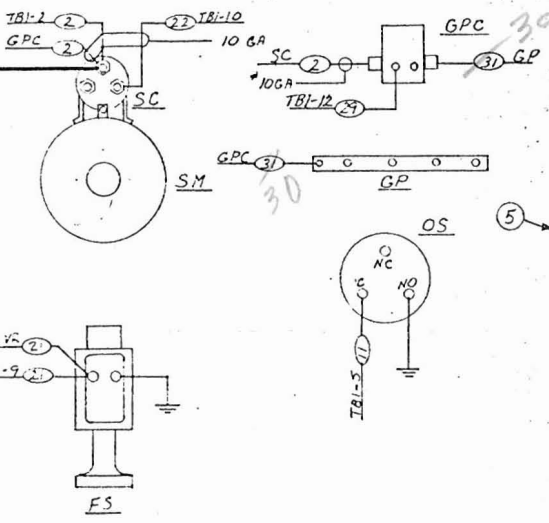
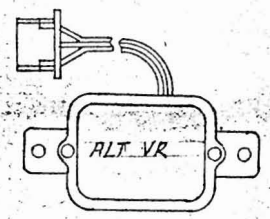
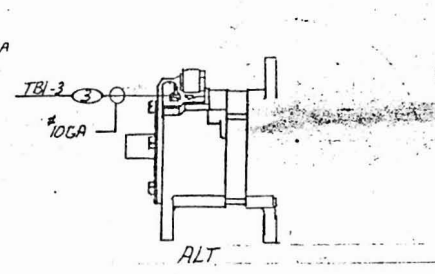


82317



CND
AT ENGINE



LEGEND

SYM.	DESCRIPTION
AL	ALARM LIGHT
ALT	ALTERNATOR
AM	AMMETER
AR	ALARM RELAY
CR	CONTROL
FS	FUEL SOLENOID
FU	FUSE
GP	GLOW PLUG
GPC	GLOW PLUG CONTACTOR
HWT	HIGH WATER TEMP. SW.
L	LIGHT
LOP	LOW OIL PRESSURE SW.
OS	OVER SPEED
S	SWITCH
SC	STARTER CONTACTOR
SM	STARTER MOTOR
TB	TERMINAL BLOCK
TD	TIME DELAY RELAY
VT VR	ALTERNATOR VOLTAGE REGULATOR

NOTE:
 1) CRIMP AND SOLDER LUGS TO LEADS PRIOR TO INSERTING LUGS INTO CONNECTORS.
 2) SLEEVE WIRES PRIOR TO INSTALLING CONNECTORS.
 3) ALL WIRES TO BE 16GA. UNLESS NOTED.

RELEASE FOR PRODUCT

AUG 17 1981

WINCO
DIVISION OF DYNA TECHNOLOGY

ITEM	PART NO	QTY	DESCRIPTION
5	A91335-9	1	SLEEVING.
4	A41189-9	1	LEAD WIRE GREEN #16
3	A12624-18	1	LEAD WIRE BLACK #16
2	A41188-14	1	LEAD WIRE WHITE #16
1	A41255-12	1	LEAD WIRE YELLOW #16

ALL DIMENSIONS GIVEN IN INCHES—WORK TO DIMENSIONS—DO NOT SCALE—SAMPLES MUST BE APPROVED BY DYNA TECHNOLOGY ENGINEERING DEPT BEFORE PROCEEDING WITH PRODUCTION
 — TOLERANCES (UNLESS OTHERWISE SPECIFIED): FRACTIONS ± 1/64
 DECIMALS ± .005 PUNCHED HOLES ± .004 — .000 ANGLES ± 1°

DRAWN BY	DATE	CHEK BY	DATE	APP'D BY	DATE	SCALE
LH	8-4-81	RH			8-14-81	

MATERIAL: **82317**
 FINISH: **ENGINE CONNECTION/**
 ASSY: **SCHEMATIC DRAWING**