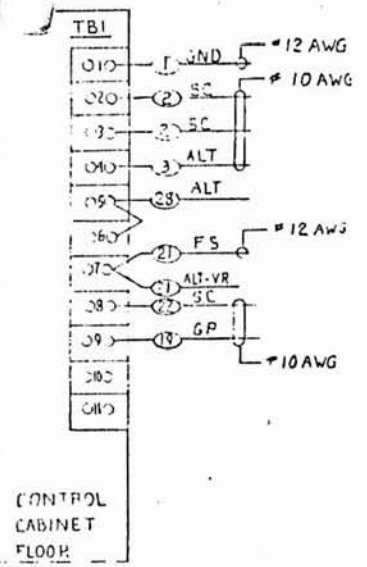
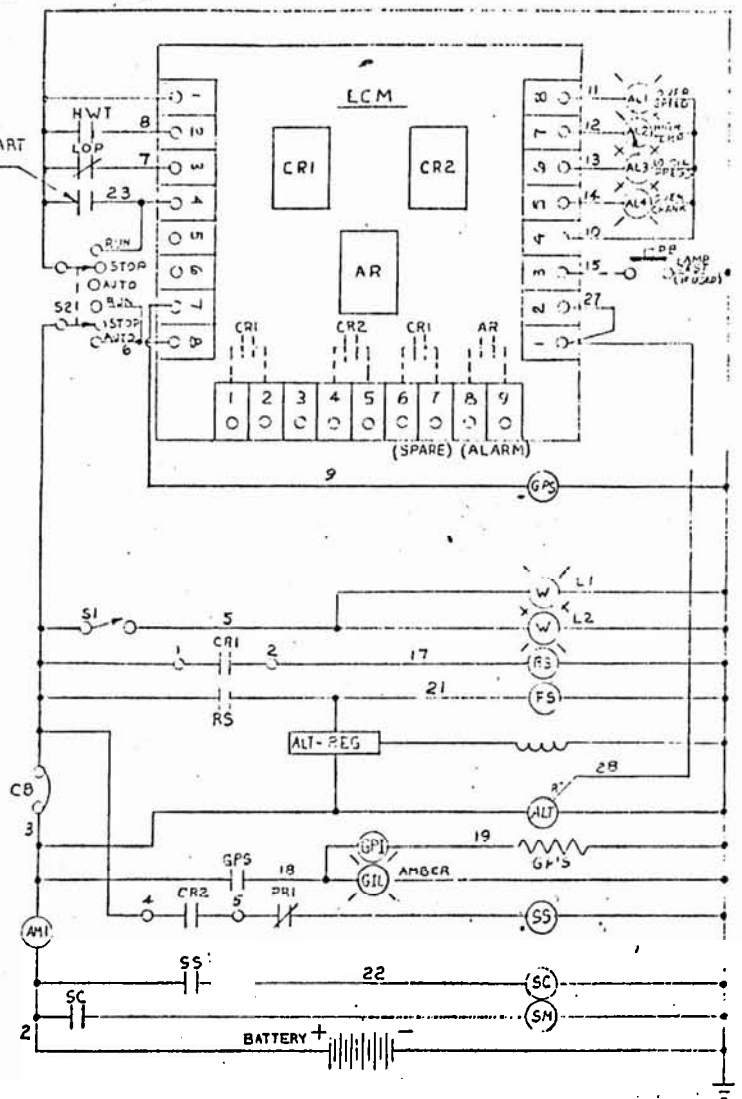
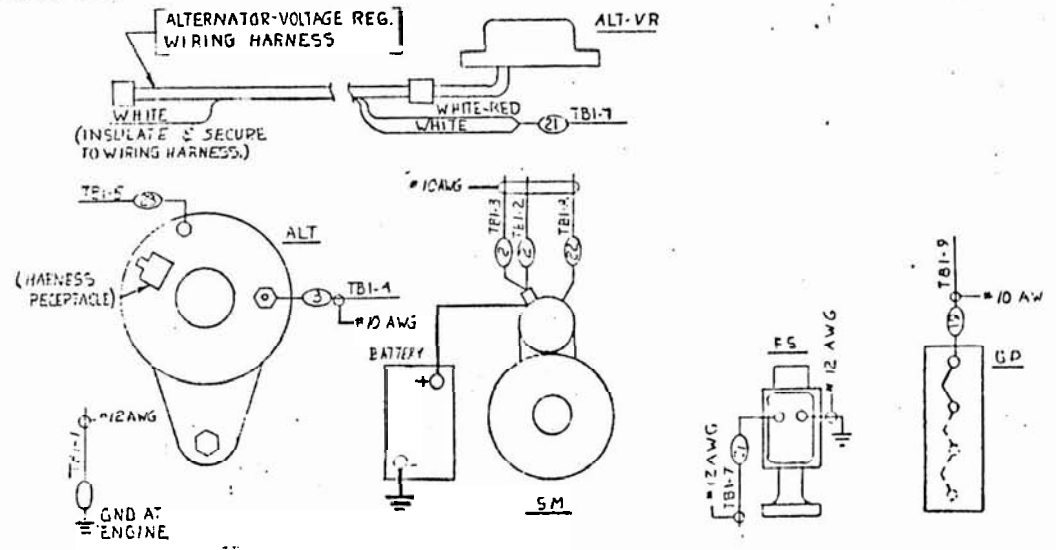


285160

CUSTOMER'S
REMOTE START
CONTACT



CONTROL
CABINET
FLOOR



SYM	DESCRIPTION	SYM	DESCRIPTION
L	ALARM LIGHT	LOP	LO-OIL PRESSURE SWITCH
ALT	ALTERNATOR	PB	PUSH BUTTON
M	AMMETER	PR	PROTECTOR RELAY
R	ALARM RELAY	S	SWITCH
B	CIRCUIT BREAKER	SC	STARTER CONTACTOR
A	CONTROL RELAY	SM	STARTER MOTOR
ECM	ENGINE CONTROL MODULE	SS	STARTER SOLENOID
	FUEL SOLENOID	TB	TERMINAL BLOCK
L	GLOW INDICATOR LAMP		
PI	GLOW PLUG INDICATOR		
GPS	GLOW PLUGS		
GPS	GLOW PLUG SOLENOID		
HWT	HIGH WATER TEMPERATURE SWITCH LIGHT		

LEGEND

NOTE:
1. EXCEPT AS NOTED ALL WIRES TO BE #16 AWG.

ALLOW REVISIONS OVER DIMENSIONS - WORK TO DIMENSIONS - DON'T SCALE - DIMENSIONS MUST BE APPROVED BY THE TECHNICIAN DESIGNING THE PROJECT BEFORE PROCEEDING WITH PRODUCTION			
- TOLERANCES (UNLESS OTHERWISE SPECIFIED) FRACTIONS & 0.04 DECIMALS .005 PUNCHED HOLES .004 - .006 ANGLES 2:1			
DESIGNED BY	DATE	CHECKED BY	DATE
D.M.W	14/2/83	C.N	
APPROVED BY	DATE	DATE	DATE
J.M	5/2/83		
MATERIAL			
FINISH			
ASSEMBLY			
CONTROL			
1	ORIGINAL		
			ENGINE CONNECTION SCHEMATIC DIAGRAM
			C-71523-21