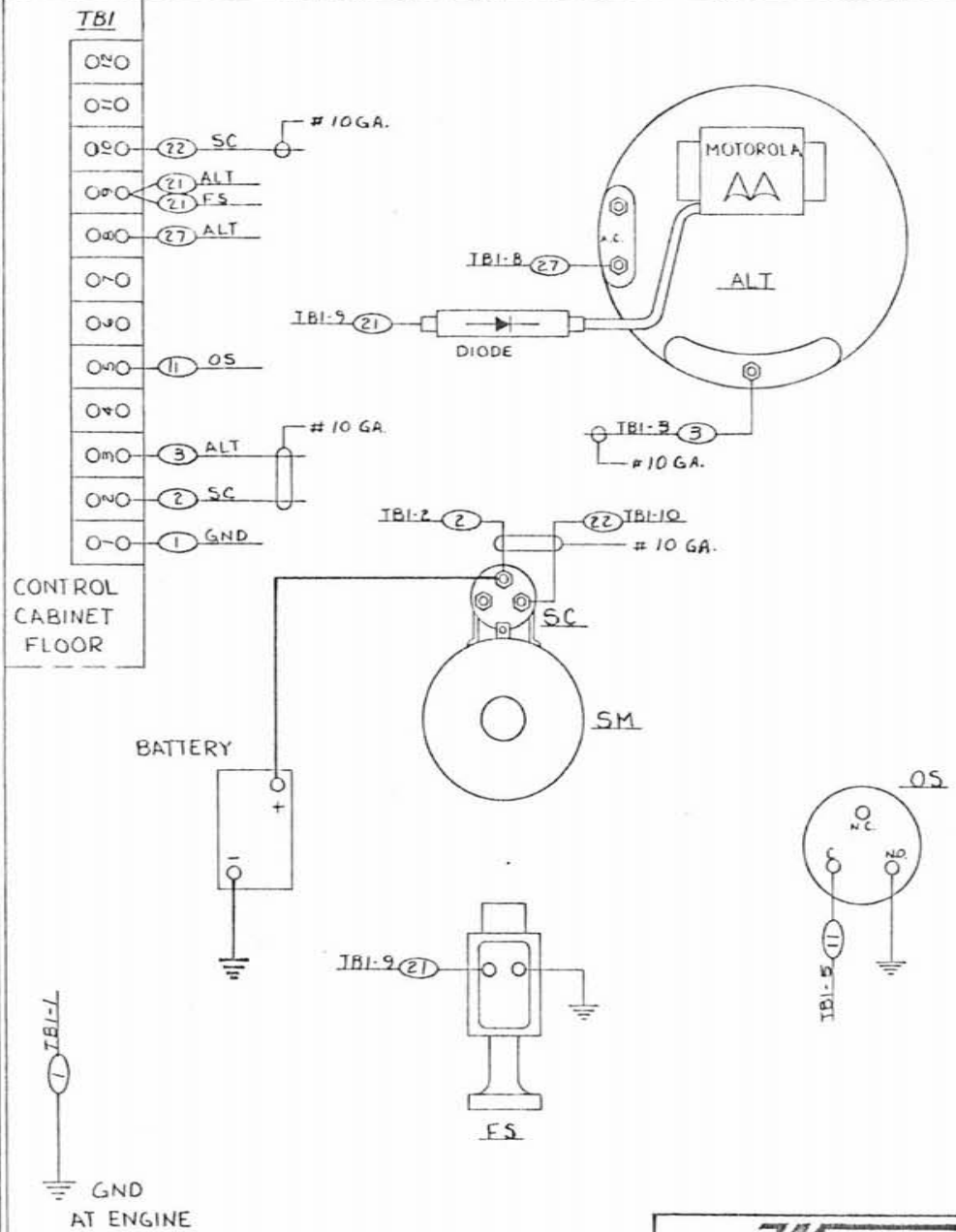


SYM	DESCRIPTION	SYM	DESCRIPTION
AL	ALARM LIGHT	L	LIGHT
ALT	ALTERNATOR	LOP	LO-OIL PRESS. SW.
AM	AMMETER	OS	OVERSPEED
AR	ALARM RELAY	S	SWITCH
CR	CONTROL RELAY	SC	STARTER CONTACTOR
FS	FUEL SOLENOID	SM	STARTER MOTOR
FU	FUSE	TB	TERMINAL BLOCK
HWT	HI WATER TEMP. SW.	TD	TIME-DELAY RELAY

LEGEND



NOTES:

- 1) EXCEPT AS NOTED, ALL WIRES TO BE #16AWG.
- 2) TD2 CRANKING CONTACT IS N.C. FOR "CRANKING LIMITER" (STANDARD), AND N.O. FOR "CYCLE CRANKING" (OPTIONAL) CONTROLS.

WINGO
Division of Dyna Technology, Inc.
DETROIT, MICHIGAN U.S.A.

TITLE: ENGINE CONNECTION/
SCHEMATIC DIAGRAM D.C.

DRAWN BY C.E.	DATE 12/25/79	SUPSEDED BY
CHECKED BY	DATE	SUPSEDES
APPROVED BY	DATE	SCALE

PATTERN OR FORGING NO. _____ DRAWING NO. 71523-1