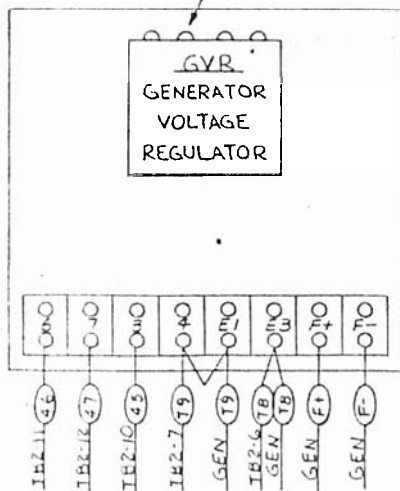
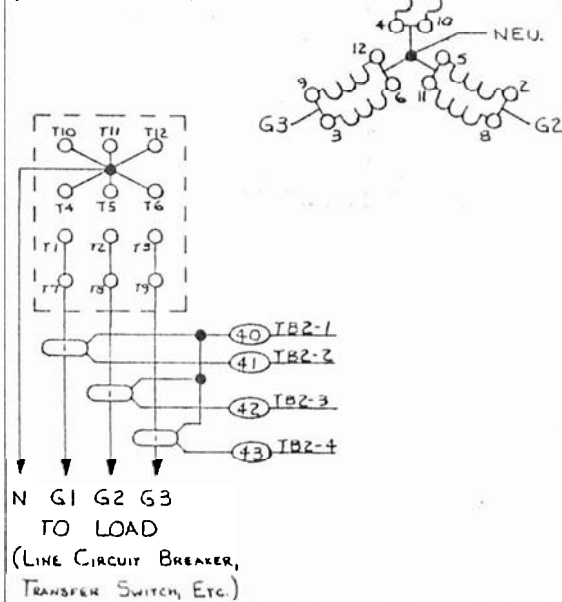


NOTE 3



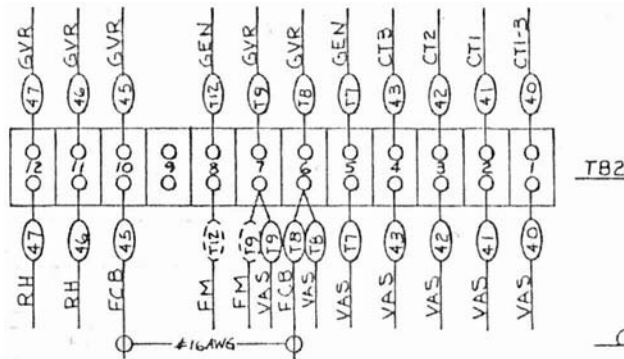
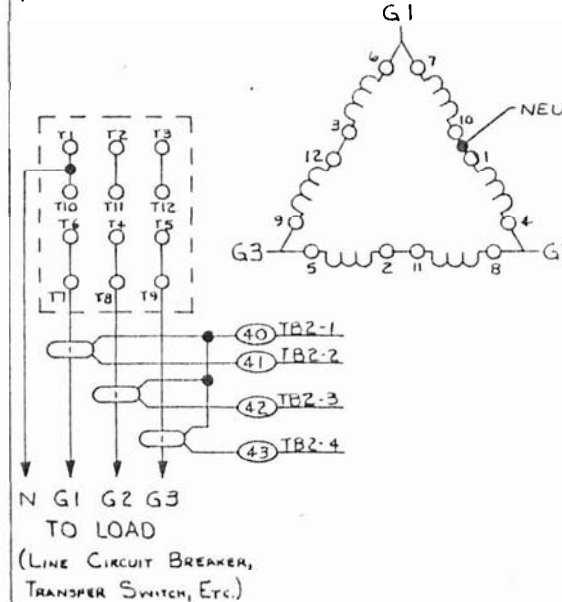
THREE PHASE WYE

120/208 - 139/240V, 60HZ
 100/173 - 115/200V, 50HZ
 (READ LOWER VM & AM2 SCALES)



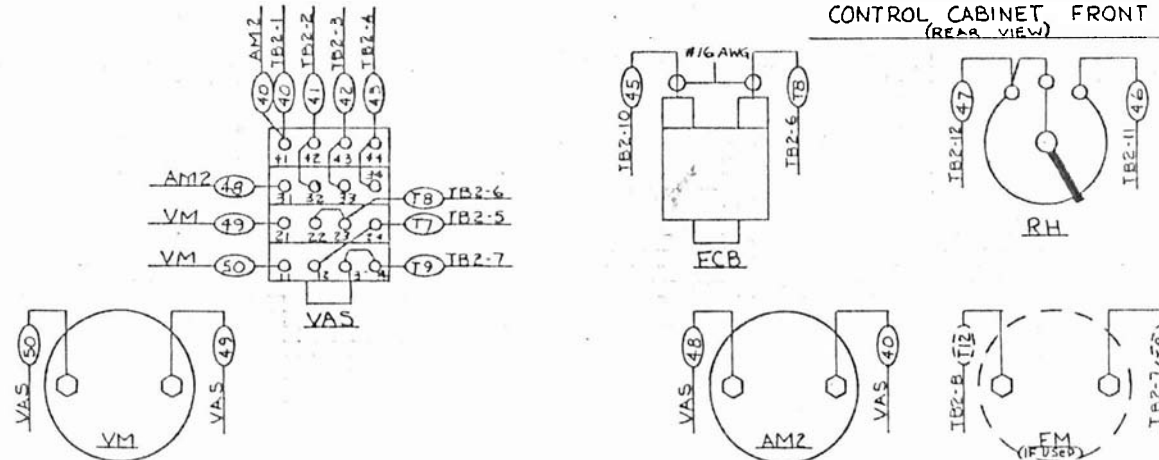
THREE PHASE DELTA

120/240V, 60HZ
 110/220V, 50HZ
 (READ LOWER VM & AM2 SCALES)



CONTROL CABINET FLOOR

CONTROL CABINET FRONT (REAR VIEW)



NOTES:

- 1.) ALL INTERNAL CONTROL CABINET WIRES TO BE #20AWG, EXCEPT AS NOTED.
- 2.) ALL INTERCONNECTING WIRES BETWEEN TB2 & GEN-SET TO BE #16AWG.
- 3.) USE GVR SENSING TRANSFORMER TAP FOR 208 - 240V.

COMPLETELY REDRAWN: 7/29/80

WINGO
 Division of Dyna Technology, Inc.
 DETROIT, MICHIGAN U.S.A.

| | | |
|---------------------------------------|----------------|------------------------|
| TITLE A.C. WIRING & CONN. DIAGRAM | | |
| MATERIAL LOW VOLTAGE W/AMMETER KIT | | |
| DRAWN BY CB | DATE 7/2/79 | SUPERSEDED BY |
| CHECKED BY | DATE | SUPERSEDES |
| APPROVED BY CB | DATE | SCALE |
| PATTERN OR FORGING NO. | | DRAWING NO. 71520-3 |